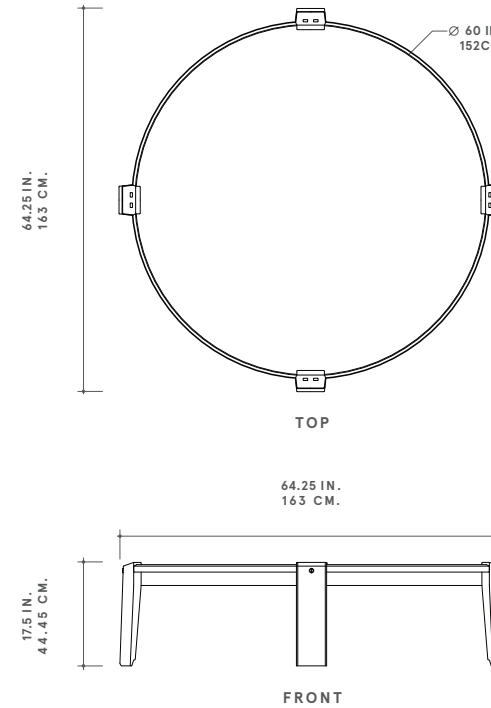




ROMAN AND WILLIAMS
GUILD
NEW YORK



STONE HUB COFFEE

Hubs are the center of activity, and the large *Coffee Hub* is ready for the role. Our *Hubs* are inspired by nomadic Nigerian meat platters, where people gather to feast. Beveled dish top and hooked, en pointe legs are a major woodworking challenge. Composition is pinned together with custom hardware.

Available in two sizes. The *Hub* is the older cousin of our rectilinear *Skafeld* collection. Made with durable side and end grain wood, which has for centuries been the durable material of choice for kitchen countertops and factory flooring.

PICTURED Claro Walnut with Medium Polish, Burnished Brass Hardware, Honed African Saint Laurent Marble

WOOD FINISHES

SIGNATURE
WALNUT
Matte Oil
Medium Polish
Brilliant Polish

RED OAK
Bleached

WHITE OAK
Grey Stained
Black Inked

ASH
Black Inked

MAPLE
Fumed

DISTINCTIVE
CLARO WALNUT
Matte Oil
Medium Polish
Brilliant Polish

TEAK
Matte Oil

OLD GROWTH
WHITE OAK
Soap

METAL FINISHES

SIGNATURE
Burnished Brass
Dark Brass
Blackened Brass
Burnished Nickel

DISTINCTIVE
Polished Bronze
Rose Gold
Silver
Pewter

DIMENSIONS

SMALL
42" DIA × 17"H

MEDIUM
48" DIA × 17"H

LARGE
60" DIA × 17"H