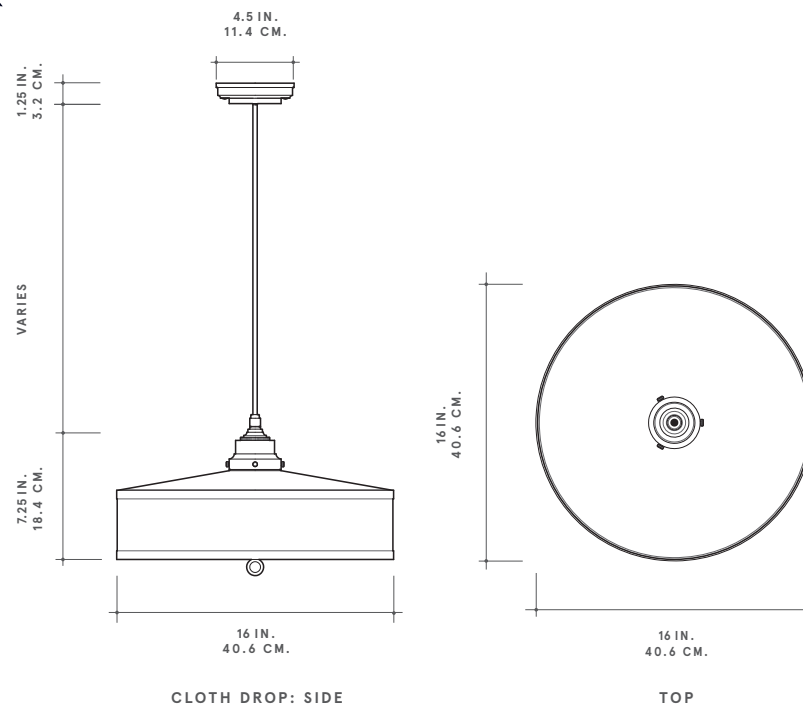




ROMAN AND WILLIAMS
GUILD
NEW YORK



NANTUCKET COUNTERWEIGHT PENDANT

The valedictorian. *Nantucket* is civilized. Formal. Buttoned up and elegant. The shade is hand formed in Paris of metal sheet with a crisp rolled edge. Light glows from the glass shade a soft contrast to the strong metal body above.

First designed for the *Greydon House* (in Nantucket), this lamp is also a star at the café in our *Guild, La Mercerie*.

PICTURED Burnished Brass

METAL FINISHES

SIGNATURE

Burnished Brass
Dark Brass
Blackened Brass
Burnished Nickel

DISTINCTIVE

Rose Gold
Silver
Pewter

GLASS COLOR

Nude

LAMPING

SOCKET E26

SUGGESTED BULB
A19

BULB QTY 2

BULB WATTAGE 40

VOLTAGE 120

UL Certified

Bulbs not provided

DIMENSIONS

7.25" H × 16" DIA

7.25" H × 14" DIA