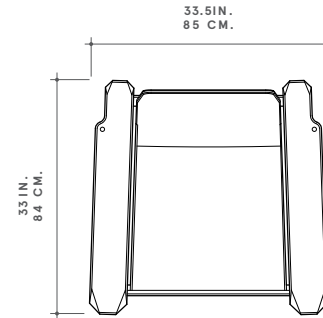
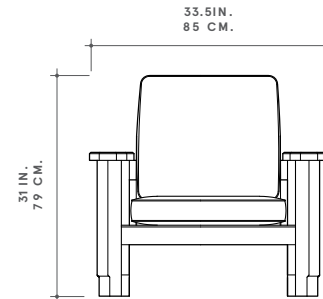




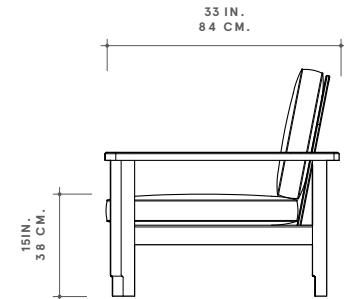
ROMAN AND WILLIAMS
GUILD
 NEW YORK



TOP



FRONT



SIDE

MAXWELL

Contemporary offspring of a Craftsmen-era chair, made with boxed frame of hearty wood, independent back, and big, mega-gridded cushions. Large, flat arms with prismatic beveling are perfect for all-day camping. Pile up laptop, phones, TV remotes, books, magazines, a plate of food, then install yourself. Call your pet over to sit in your lap. Don't move.

PICTURED Old Growth White Oak with Soap, Navy Leather

WOOD FINISHES

SIGNATURE

- WALNUT
- Matte Oil
- Medium Polish
- Brilliant Polish

RED OAK

- Bleached

WHITE OAK

- Grey Stained
- Black Inked

ASH

- Black Inked

MAPLE

- Fumed

DISTINCTIVE

- CLARO WALNUT
- Matte Oil
- Medium Polish
- Brilliant Polish

TEAK

- Matte Oil

OLD GROWTH
 WHITE OAK

- Soap

METAL FINISHES

SIGNATURE

- Burnished Brass
- Dark Brass
- Blackened Brass
- Burnished Nickel

DISTINCTIVE

- Polished Bronze
- Rose Gold
- Silver

GUILD FABRICS &

LEATHERS

Available in a variety of discerning fabrics and leathers.

DIMENSIONS

33.5"W × 33"D × 31"H