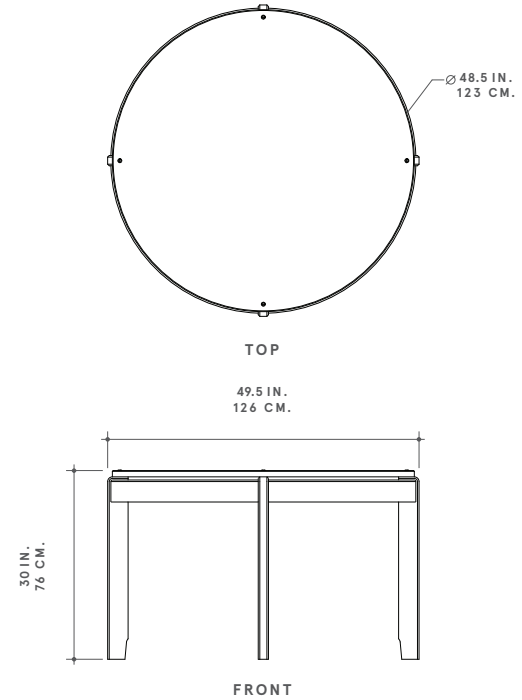




ROMAN AND WILLIAMS
GUILD
 NEW YORK



DINING KANT

Round and egalitarian, *Dining Kant* offers a critique of pure feasting. Fine details provoke inquiry: circular top is fastened with slightly raised brass hardware; a curved wood belt chases the circumference, and slender slatted legs end with our signature grooved feet.

Our *Kant* series is also available in Round and Square side table formats, as well as in the guise of a Coffee table.

PICTURED Old Growth White Oak with Soap, Blackened Brass Hardware

WOOD FINISHES

SIGNATURE
 WALNUT
 Matte Oil
 Medium Polish
 Brilliant Polish

RED OAK
 Bleached

WHITE OAK
 Grey Stained
 Black Inked

ASH
 Black Inked

MAPLE
 Fumed

DISTINCTIVE
 CLARO WALNUT
 Matte Oil
 Medium Polish
 Brilliant Polish

TEAK
 Matte Oil

OLD GROWTH
 WHITE OAK
 Soap

METAL FINISHES

SIGNATURE
 Burnished Brass
 Dark Brass
 Blackened Brass
 Burnished Nickel

DISTINCTIVE
 Polished Bronze
 Rose Gold
 Silver
 Pewter

DIMENSIONS

49.5" W × 30" H