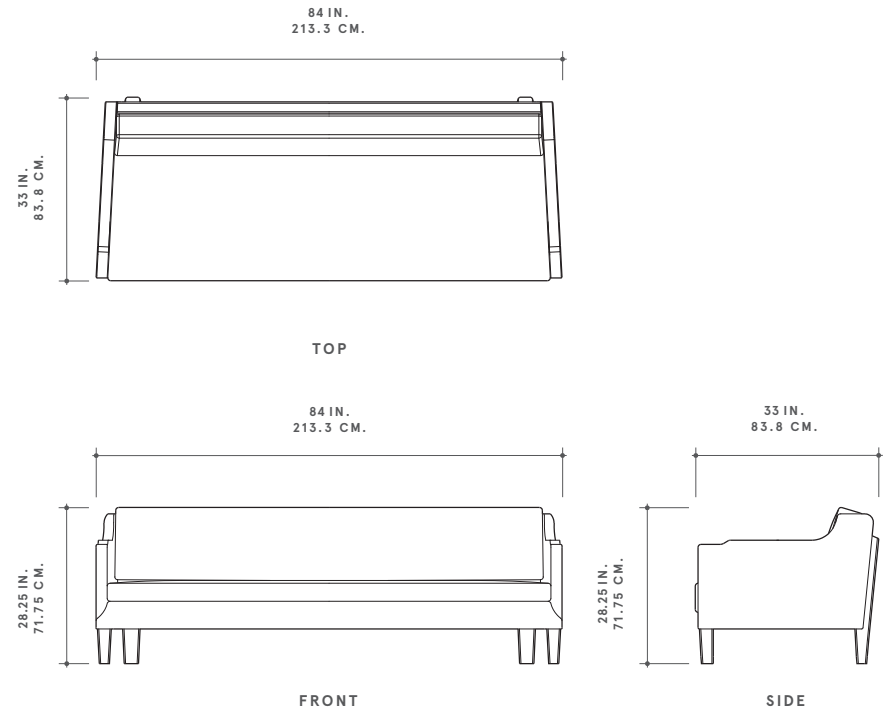




ROMAN AND WILLIAMS
GUILD
NEW YORK



DAVENPORT

Adapted and refined, from tradition. *Davenport* is formal, in a classic profile but with a contemporary intelligence – low and athletic, on struts. We like to imagine this sofa in a giant, decayed Parisian home – romantic, with bohemian elegance – where it can create a high contrast, exciting pairing with more modernistic forms like our *Hub* tables.

PICTURED Claro Walnut with Honey Brown Leather & Burnished Brass Hardware

WOOD FINISHES

SIGNATURE

WALNUT
Matte Oil
Medium Polish
Brilliant Polish

RED OAK

Bleached

WHITE OAK

Grey Stained
Black Inked

ASH

Black Inked

MAPLE

Fumed

DISTINCTIVE

CLARO WALNUT
Matte Oil
Medium Polish
Brilliant Polish

TEAK

Matte Oil

OLD GROWTH

WHITE OAK
Soap

METAL FINISHES

SIGNATURE

Burnished Brass
Dark Brass
Blackened Brass
Burnished Nickel

DISTINCTIVE

Polished Bronze
Rose Gold
Silver
Pewter

DIMENSIONS

72" W × 33" D × 28.25" H
84" W × 33" D × 28.25" H

GUILD FABRICS &

LEATHERS

Available in a variety of discerning fabrics and leathers.