

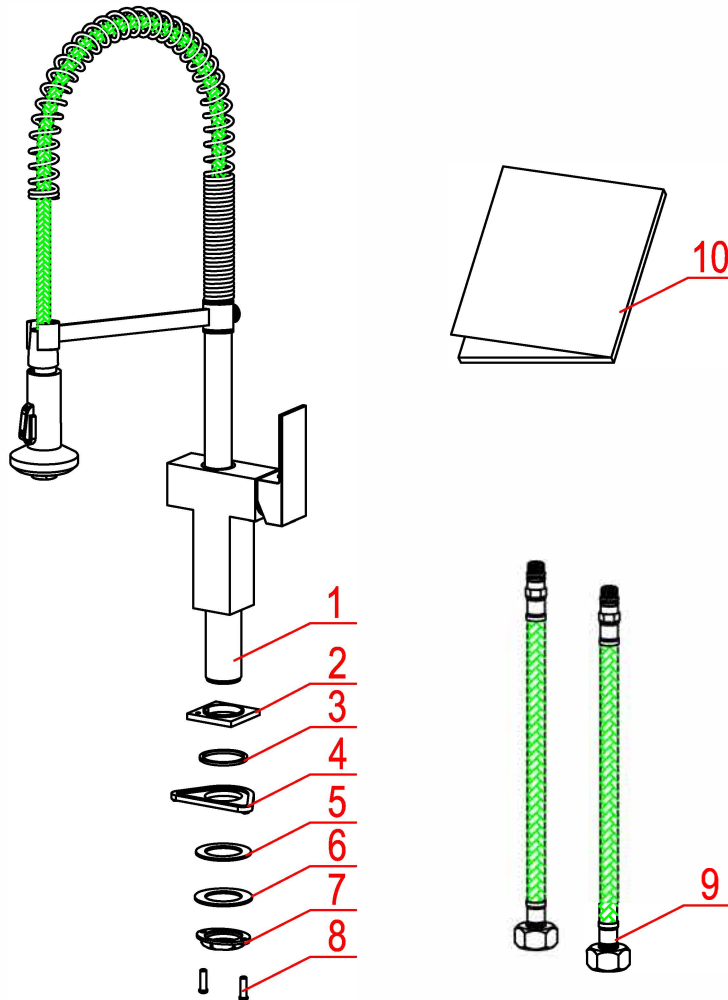
INSTALLATION MANUAL

WINDSOR | SINGLE LEVER PULL DOWN KITCHEN FAUCET

ITEM NO: 75 3383

※ COMPONENTS CHECKING

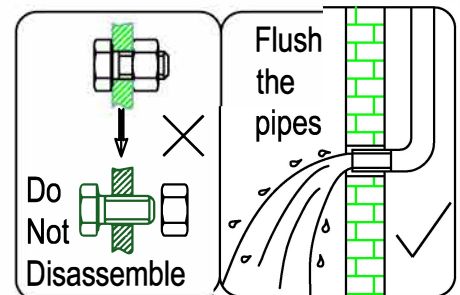
Please double-check the component list hereinafter and contact our company or our distributor for any unconformity.
Remarks: 1. Without affecting their performing, components may be changed without further notice.
2. Drawings for reference only. Product size & shape refer to actual faucet.



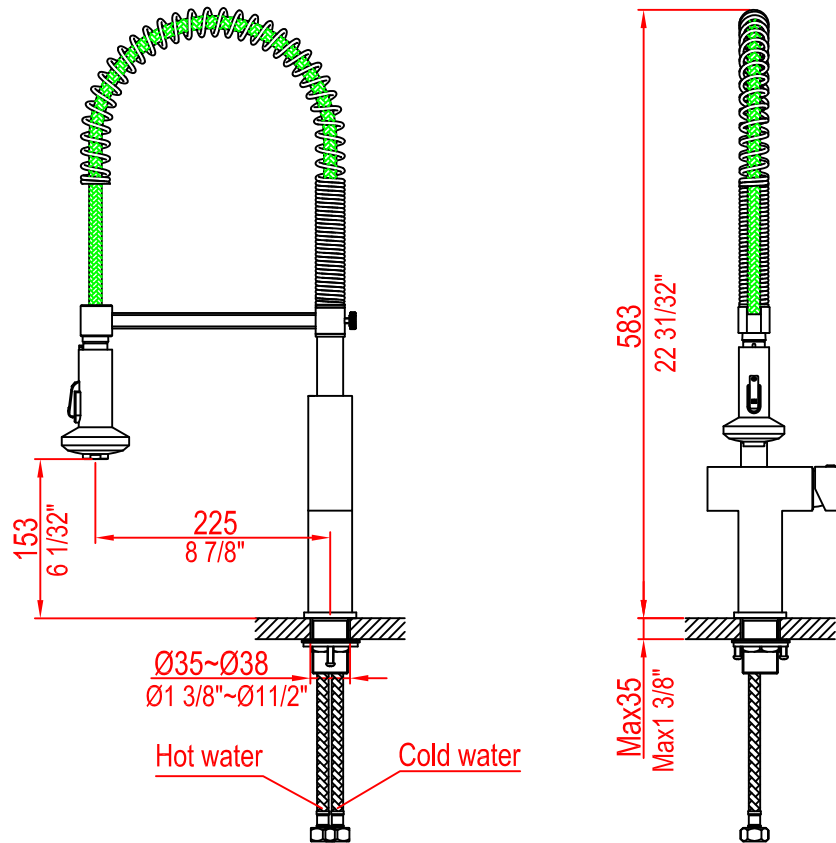
The component list	Qty.
1 .Main body	1
2 .Base	1
3 .Washer A	1
4 .Plastic gasket	1
5 .Washer B	1
6 .Metal gasket	1
7 .Nut	1
8 .Bolt	2
9 .Inlet hose	2
10 .Manual	1

※ INSTALLATION INSTRUCTION

- ☆Do not disassemble the main body, as it has been installed & commissioned correctly & precisely before leaving the factory.
- ☆To avoid the faucet from jamming, do flush the water pipe before installation.
- ☆After installation, make sure every joint are safely sealed & no leaking.
- ☆The nominal water pressure is 0.05 -1.0Mpa (including cold & hot water pressure), suitable for water temperature from 4°C to 90°C.
- ☆Make sure to connect the hot/cold inlet pipe correctly, if standing in front, hot water pipe connecting to the left & cold water pipe connecting to the right.

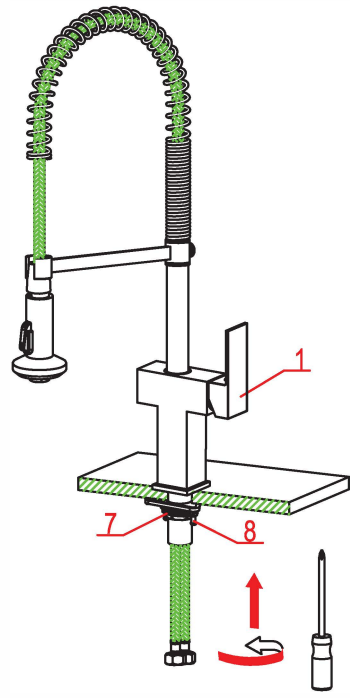
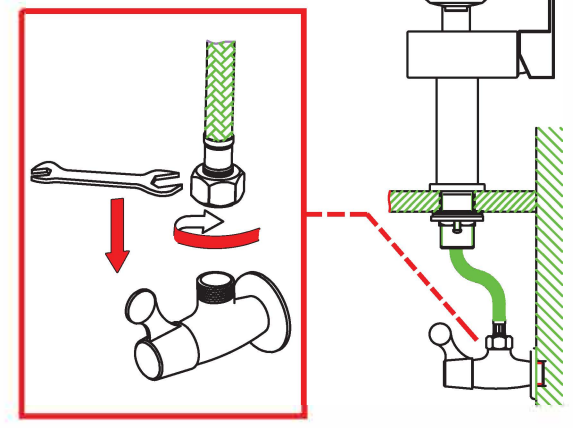


※ Dimension drawing



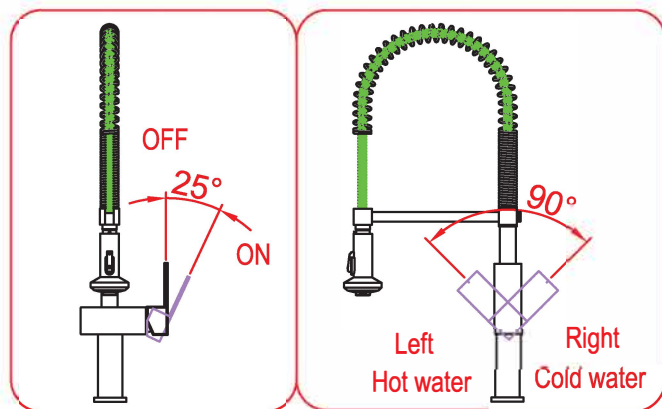
※ Installation Procedures

<p>1.</p>	<p>2.</p>
<p>1. Make a hole of Ø35-Ø38 on the installation plate. Remove the nut(7), metal gasket(6), washer B(5) and plastic gasket (4) from the main body(1).</p>	<p>2. Screw the inlet hoses(9) onto the main body. Put the main body into the hole with the base(2) and washer A(3), refit the plastic gasket(4), washer B(5), metal gasket(6), nut(7) and bolts(8) from the underside of the installation plate.</p>

<p>3.</p> 	<p>4.</p> 
<p>3. After adjusting the direction of the main body(1) and base(2), tighten the nut(7) with a wrench, and tighten the bolts(8) with a philips screwdriver.</p>	<p>4. Connect the inlet hoses to the angle valves with fine sealing. Finally, turn on the water supplies and check for leaks.</p>

✧ Usage

- ☆ How to operate the handle:
- 1) Raise the lever handle to turn on the water. Push down to turn off.
 - 2) Turn the lever handle to the left to increase hot water flow and temperature, turn to the right to increase cold flow and temperature.



✧ Cleaning & Maintenance

- ☆ To keep the product clean & shining, follow the steps as below:
1. Flush with clean water & dry with soft cloth only.
 2. If any dirt, clean with soft liquid or transparent glass detergent.
 3. Do not use any scrubbing detergent, polisher, sand-cloth, paper tissue or scraper.
 4. Do not use acid detergent, indissolvable grain-like detergent or soap.



✧ This installation instruction is only for your reference, the final right to explain & to revise it belongs to us.