

# INSTALLATION MANUAL

## GEORGIA | SINGLE LEVER PULL DOWN KITCHEN FAUCET

ITEM NO: 18 3460

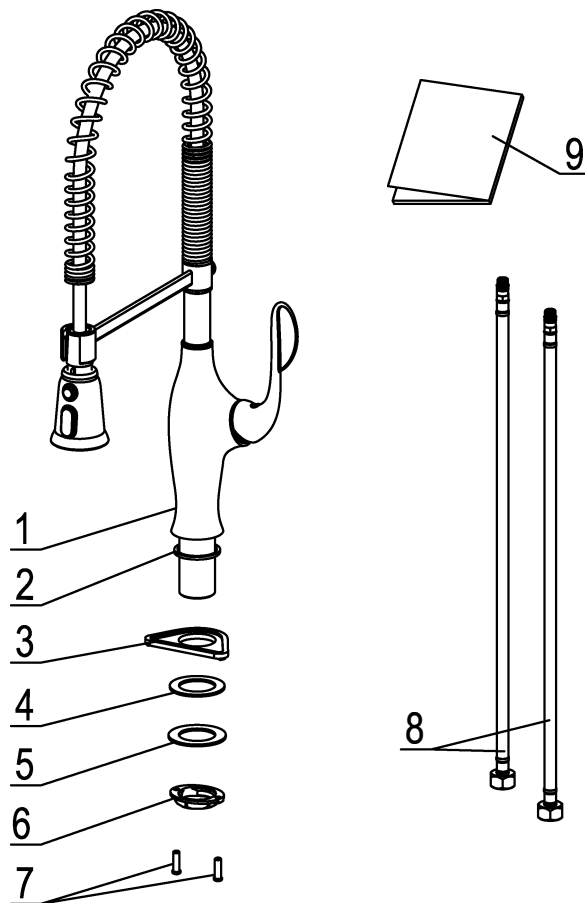
### ※ Components Checking

#### LIST OF THE STANDARD COMPONENTS:

Please double-check the components list hereinafter and contact our company or our distributor for any unconformity.

Remarks: 1. Without affecting their performing, components may be changed without further notice.

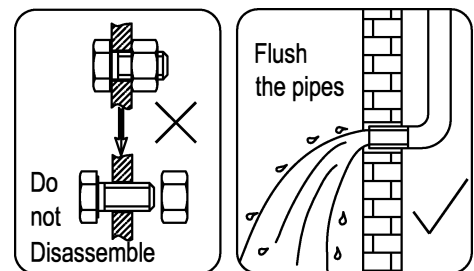
2. Drawings for reference only. Product size & shape refer to actual faucet.



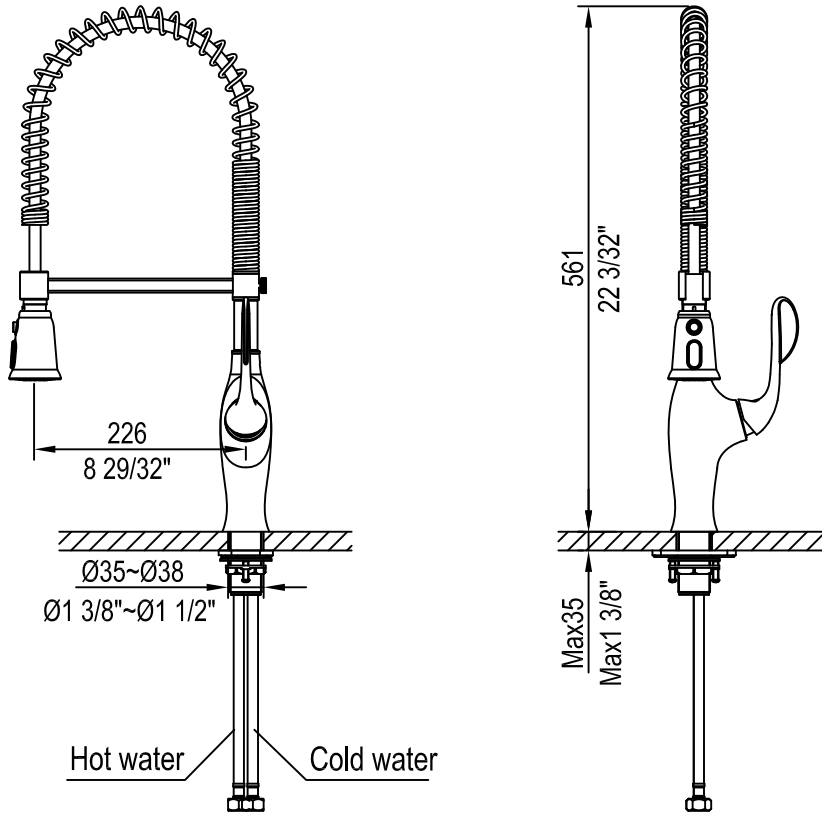
The Components List	Qty.
1 .Main body	1
2 .Washer A	1
3 .Plastic gasket	1
4 .Washer B	1
5 .Metal gasket	1
6 .Nut	2
7 .Bolt	1
8 .Inlet pipe	2
9 .Manual	1

### ※ Installation Instructions

- ☆ Do not disassemble the main body, as it has been installed & commissioned correctly & precisely before leaving the factory.
- ☆ To avoid the faucet from jamming, do flush the water pipe before installation.
- ☆ After installation, make sure every joint is safely sealed & no leaking.
- ☆ The nominal water pressure is 0.05 -1.0Mpa (including cold & hot water pressure), suitable for water temperature : 4°C - 90°C.
- ☆ Make sure to connect the hot/cold inlet pipe correctly, if standing in front, hot water pipe connecting to the left & cold water pipe connecting to the right .

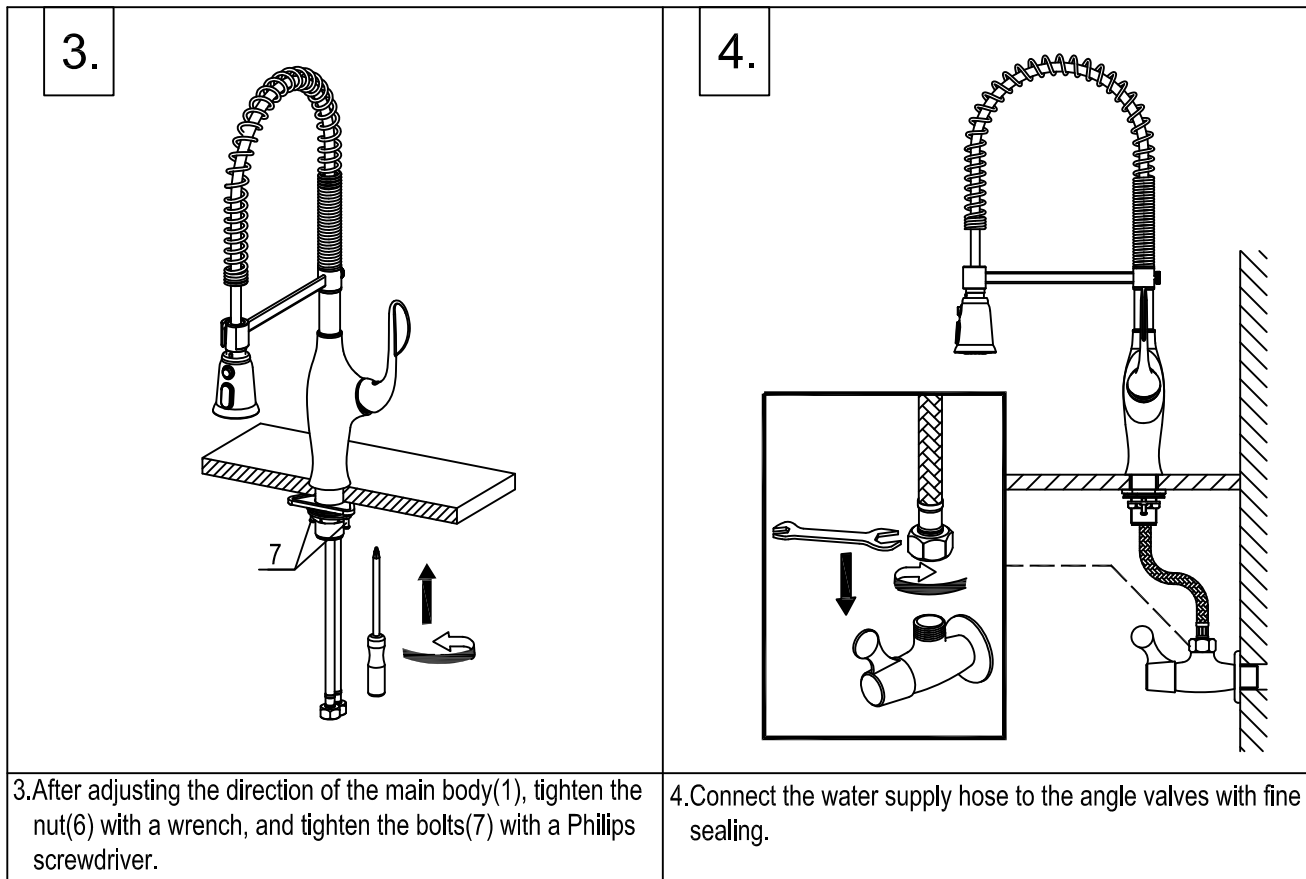


※ Dimension Drawing



※ Installation Procedures

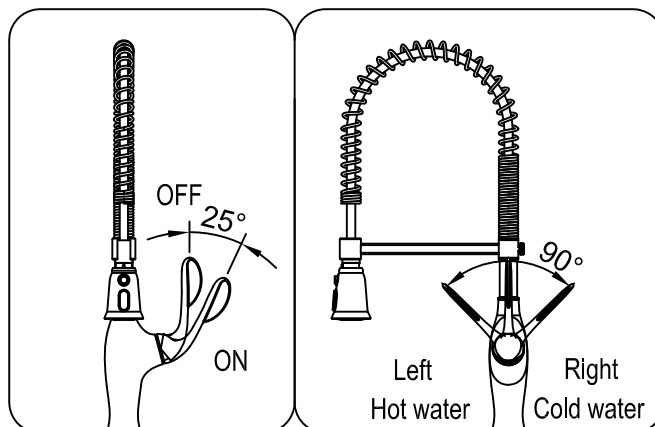
<p>1.</p>	<p>2.</p>
<p>1. Make a <math>\text{Ø}35\sim\text{Ø}38</math> (<math>\text{Ø}1\ 3/8\sim\text{Ø}1\ 1/2</math>) hole on the basin deck. Remove the bolts(7), nut(6), metal gasket(5), washer B(4) and plastic gasket A(3) from the main body(1), and screw the inlet pipes(8) onto the main body(1).</p>	<p>2. put the main body(1) into the hole with the washer A(2) between basin deck and the main body. Fixing the faucet from downside of the basin deck with the plastic gasket(3), washer B(4), metal gasket(5), nut(6) and bolts(7).</p>



### ※ Usage:

☆ How to operate the handle

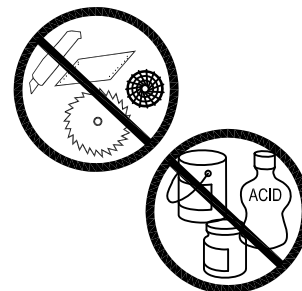
- 1) Raise the handle lever up for opening water, push down to close.
- 2) Turn the handle lever to the left to increase hot water flow to higher water temperature, and lower the water temperature by operating reversely.



### ※ Cleaning & Maintenance

☆ To keep the product clean & shining, follow the steps as below:

1. Flush with clean water & dry with soft cloth only.
2. If any dirt, clean with soft liquid or transparent glass detergent.
3. Do not use any scrubbing detergent, polisher, sand-cloth, paper tissue or scraper.
4. Do not use acid detergent, indissolvable grain-like detergent or soap.
5. Circumrotate the aerator off and clean it when necessary.



※ This installation manual is only for your reference, the final right to explain & revise is belongs to us.