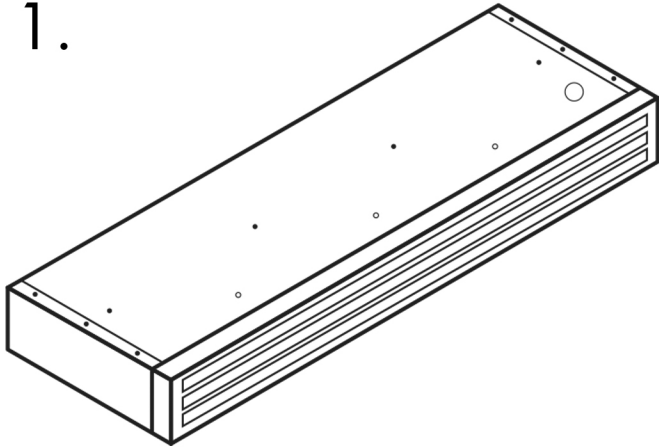


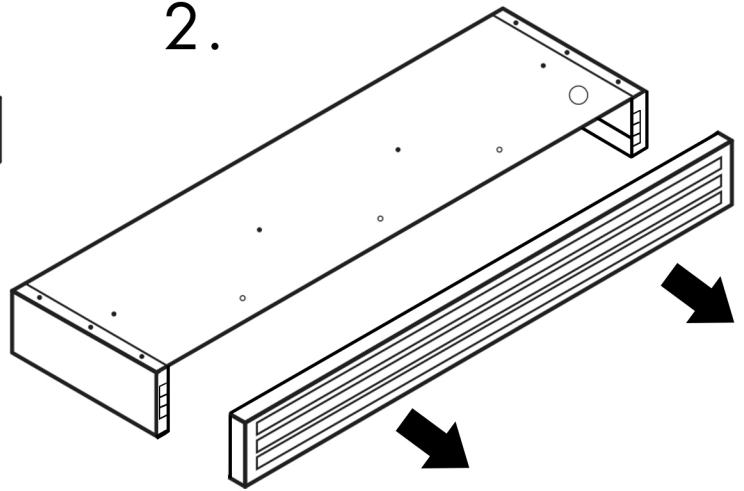
# Undercabinet Recirculating Kit

How to replace the charcoal filter:

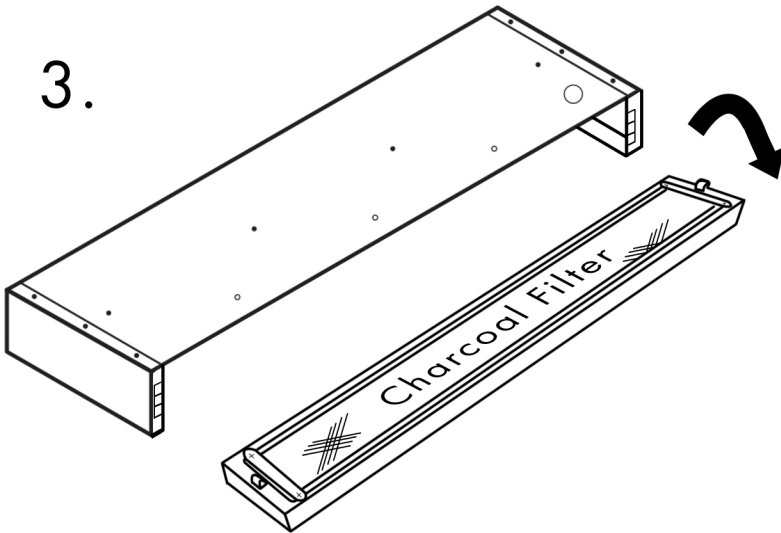
1.



2.

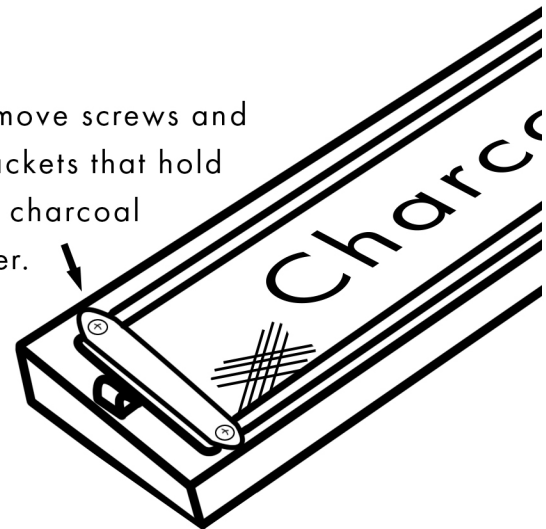


3.



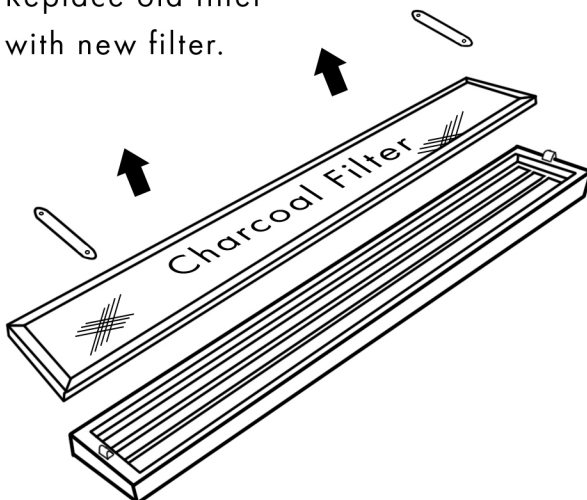
4.

Remove screws and brackets that hold the charcoal filter.



5.

Replace old filter with new filter.



6.

Follow steps in reverse, five through one. Filters should be replaced approximately every six months.