



ZLINE



STAINLESS STEEL SINKS

Installation Guide
and Users Manual



This product can expose you to chemicals including nickel, which is known to the State of California to cause cancer, and birth defects or other reproductive harm. For more information go to www.P65Warnings.ca.gov.

Even though the materials used in all ZLINE Kitchen and Bath products conform to all federal government regulations and all national product standards, California's Prop 65 requires all businesses to provide a "clear and reasonable warning" if one or more listed chemicals may be present in the product, even if that chemical is present in trace quantities



ZLINE

Each ZLINE sink is handcrafted and intuitively designed to offer the most efficient washing experience. Inspired by professional kitchens, every sink is versatile and spacious. The extra-deep, high capacity basins easily accommodate large pots, pans, and plates. With over 10 inches of depth, there is maximum room for any size wash job.

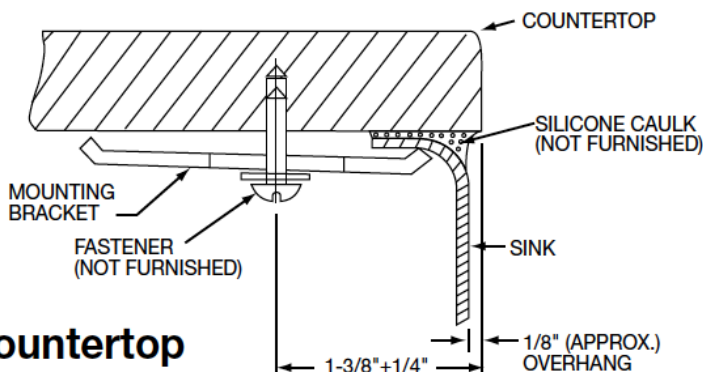
The geometric design silences sound and creates a quieter workspace. With its stain, scratch, and rust-resistant properties in addition to superior drainage, your new ZLINE sink will provide more usable space and eliminate free-standing water up to three times faster than competitors.

CONTENTS

● SAFETY INSTRUCTIONS	1
● ACCESSORIES	2
● SINK DIMENSIONS	3
Undermount Bar Sink	
Top Mount Bar Sink	
Round Sink Single Bowl	
Round Sink Double Bowl	
Arc Sink Single Bowl	
Arc Sink Double Bowl	
Apron Sink Single Bowl	
Apron Sink Double Bowl	
Ledge Sink Single Bowl	
Ledge Apron Sink Single Bowl	
● SINK INSTALLATION	15
Before Installation	
Top Mount Installation	
Undermount Installation	
Sink Drain Schematics	
● CARE AND CLEANING	19
Easy Cleaning	
Scratches	
Knives	
Water Quality	
Foods	
● DOS AND DON'TS	20

SAFETY INSTRUCTIONS

- The installer and/or user must read, understand, and follow these instructions before installing the product. This product must be properly installed before it is used. If instructions are not followed, the manufacturer will not be held responsible for any problems or product malfunction. Failure to follow installation and/or operating instructions voids the warranty.
- We recommend that this product be installed by a certified plumber. In some states or provinces, it is a legal requirement for this type of product to be installed by a certified plumber, according to the plumbing and building codes effective in the region where the sink is used.
- Shut off the water valves before installing the sink or doing any maintenance.
- Open the sink packaging and verify that the sink is in perfect condition. Put the sink back in its packaging to protect it until time of installation.
- To replace a sink, ensure that the hole in the counter is adequate.
- The outermost measurement on the sink diagrams is the lip. The innermost measurement on the sink diagrams is the basin.
- If you have a sink with 1/8" overhang, the enclosed cutout template will create an overhang of approximately 1/8". It is recommended that you discuss this with your customer and agree that this finished appearance is the desired effect. ZLINE is not responsible for improper sink or countertop installations. Due to the aesthetic qualities of the converging bowl radii, the template furnished with each sink provides the only opening recommended for installation of undermount sinks. See illustration below.



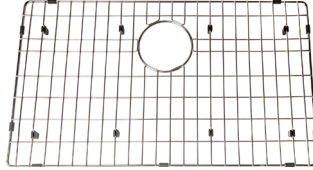
1/8" Countertop Overhang

ACCESSORIES

All sinks come with a microfiber cloth, basket strainer, utility rack, and installation hardware.



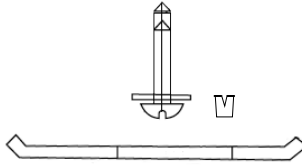
Microfiber Cloth



Utility Rack

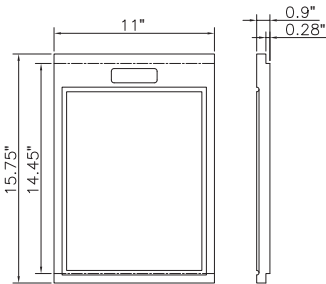


Basket Strainer

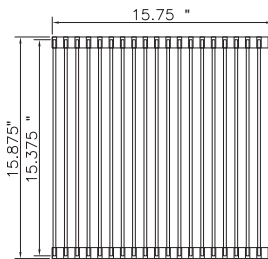


Mounting bracket, fastener, and cover.

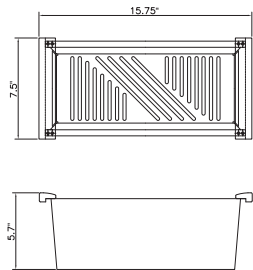
Note: Some accessories are only included with certain models.



Cutting Board



Rolling Mat

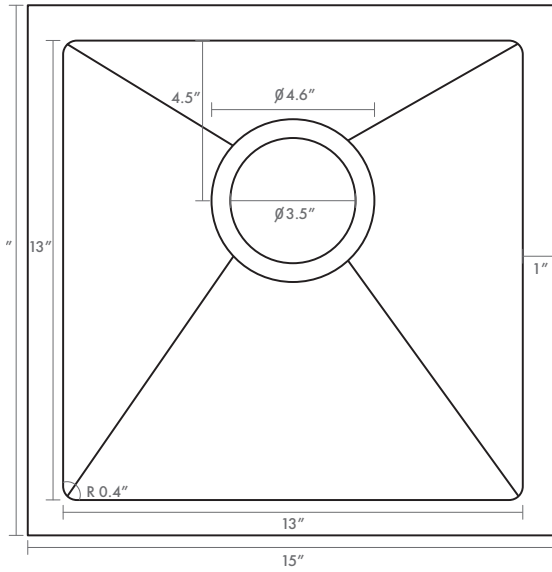


Colander

SINK DIMENSIONS

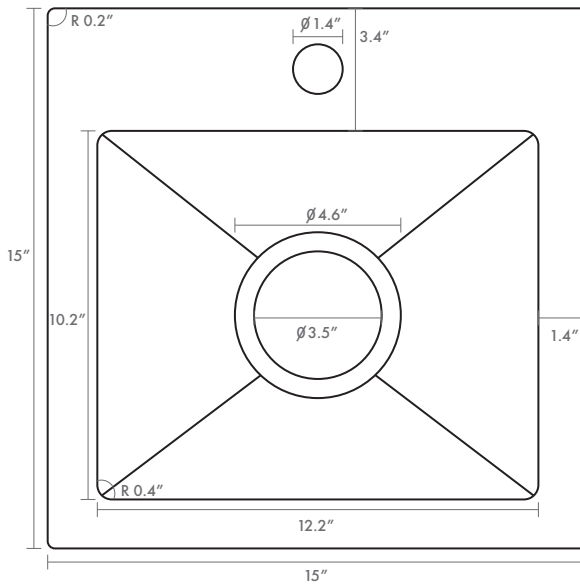
Undermount Bar Sink

SUS-15/SUS-15S



Topmount Bar Sink

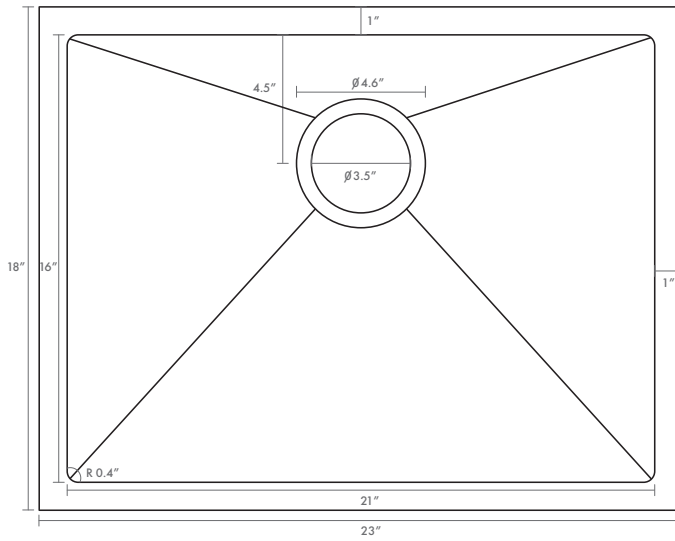
STS-15/STS-15S



SINK DIMENSIONS

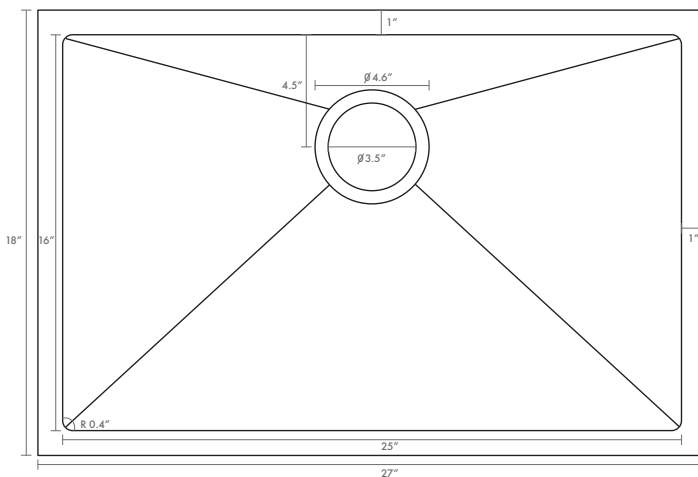
Undermount Single Bowl Sink

SRS-23/SRS-23S



Undermount Single Bowl Sink

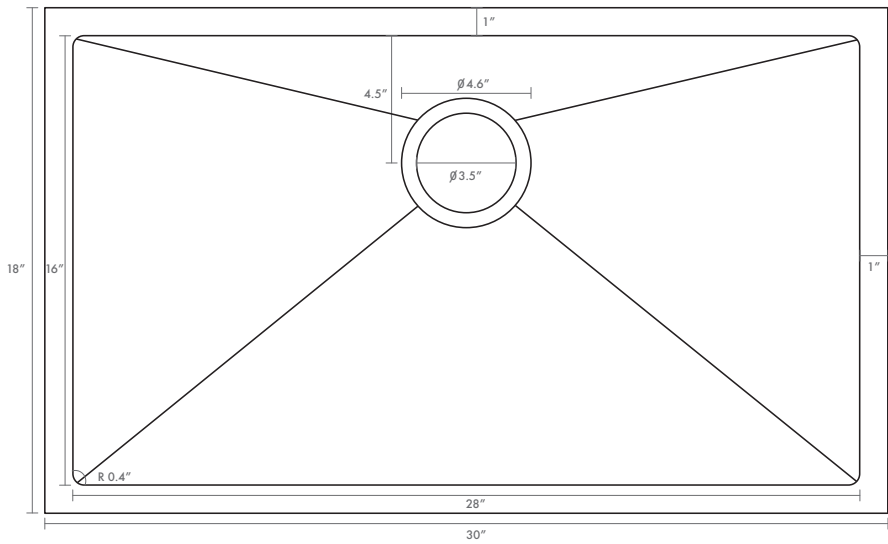
SRS-27/SRS-27S



SINK DIMENSIONS

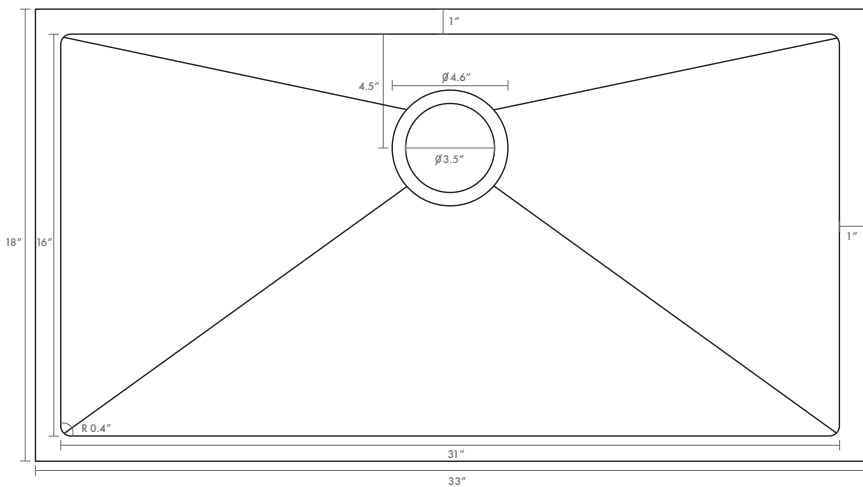
Undermount Single Bowl Sink

SRS-30/SRS-30S



Undermount Single Bowl Sink

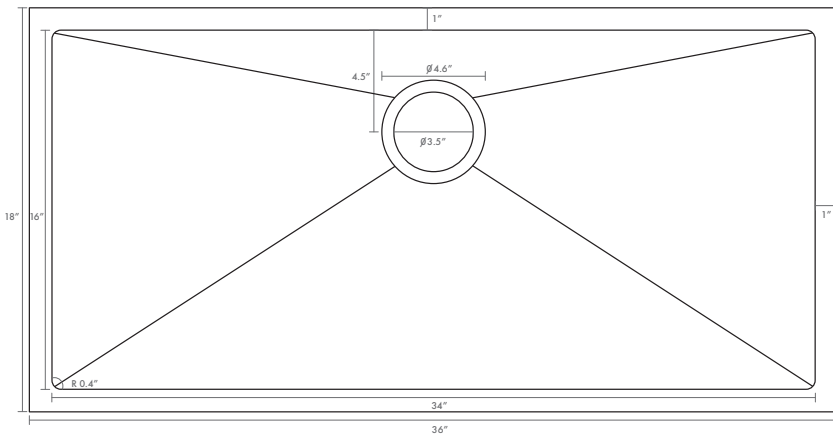
SRS-33/SRS-33S



SINK DIMENSIONS

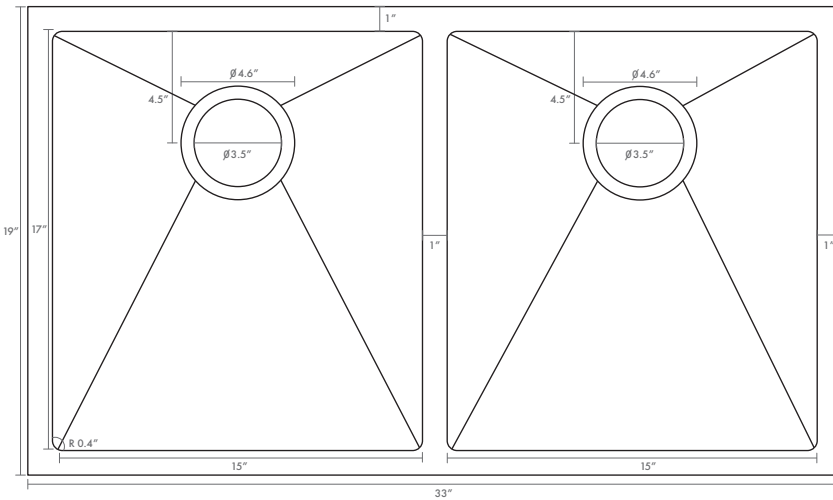
Undermount Single Bowl Sink

SRS-36/SRS-36S



Undermount Double Bowl Sink

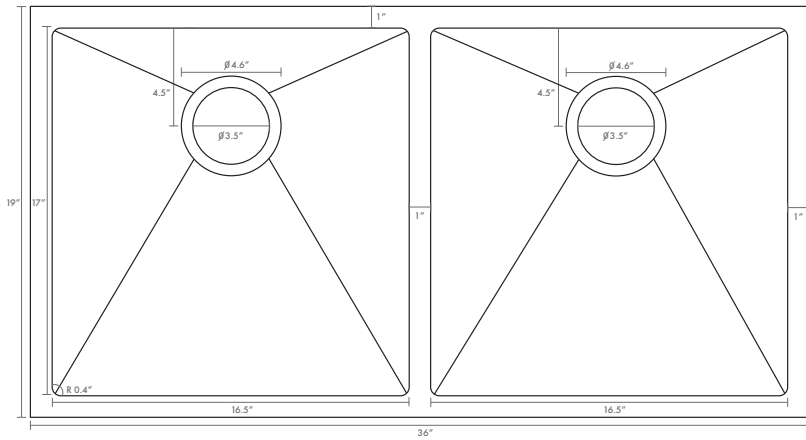
SR50D-33/SR50D-33S



SINK DIMENSIONS

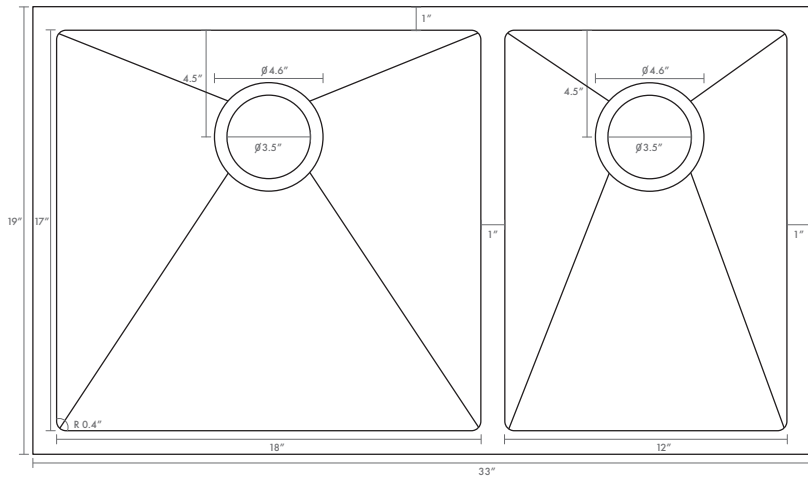
Undermount Double Bowl Sink

SR50D-36/SR50D-36S



Undermount Double Bowl Sink

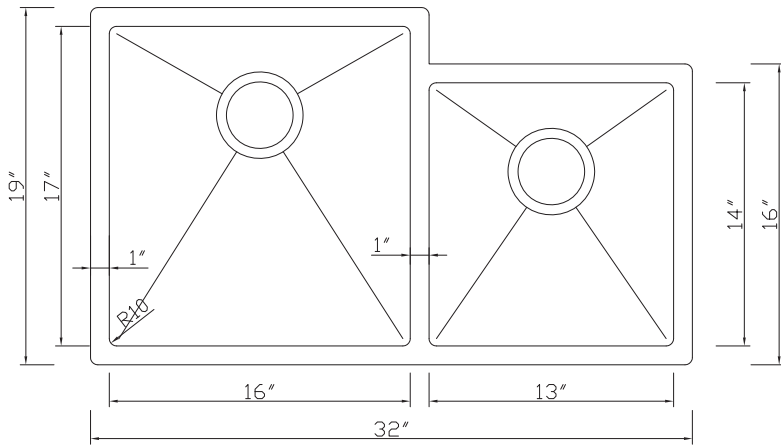
SR60D-33/SR60D-33S



SINK DIMENSIONS

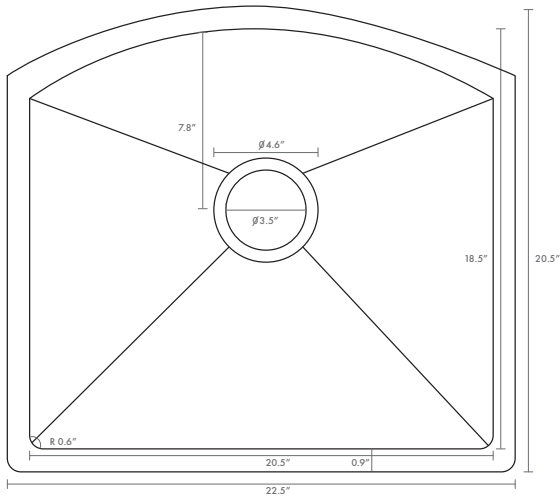
Undermount Double Bowl Sink

SRDR-32/SRDR-32S



Undermount Arc Single Bowl Sink

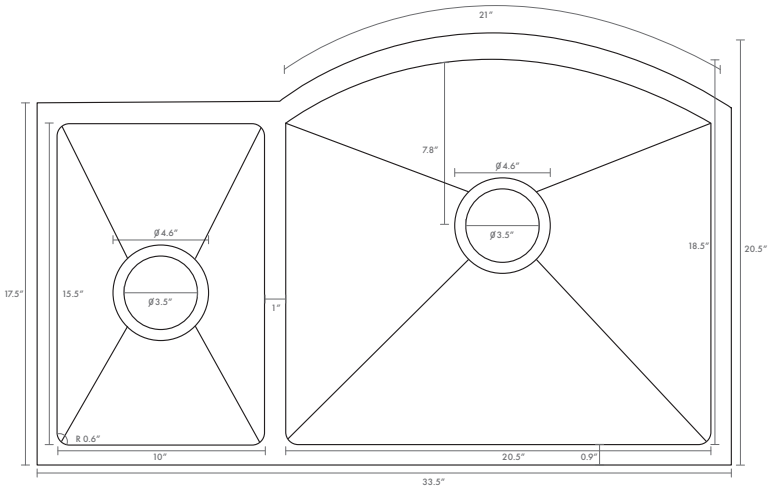
SCS-22



SINK DIMENSIONS

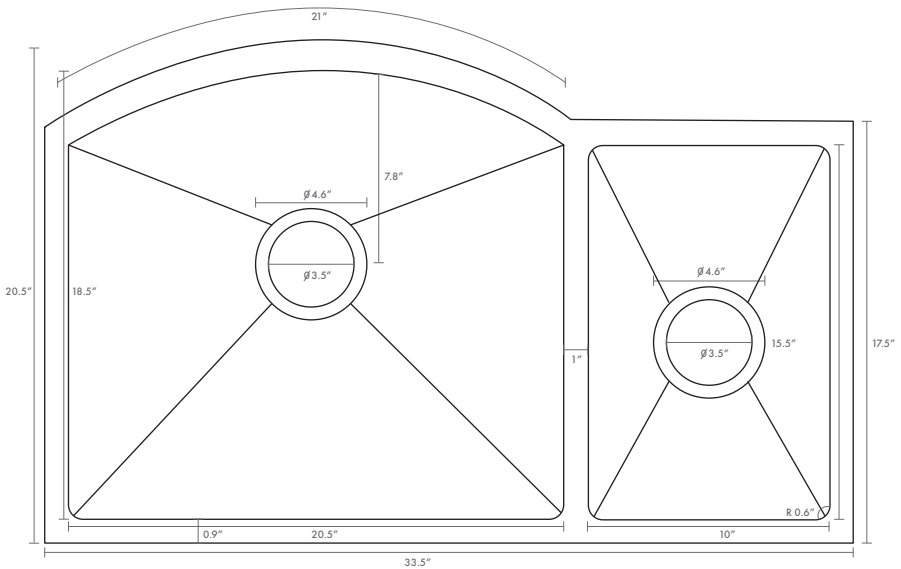
Undermount Arc Double Bowl Sink

SC30D-33



Undermount Arc Double Bowl Sink

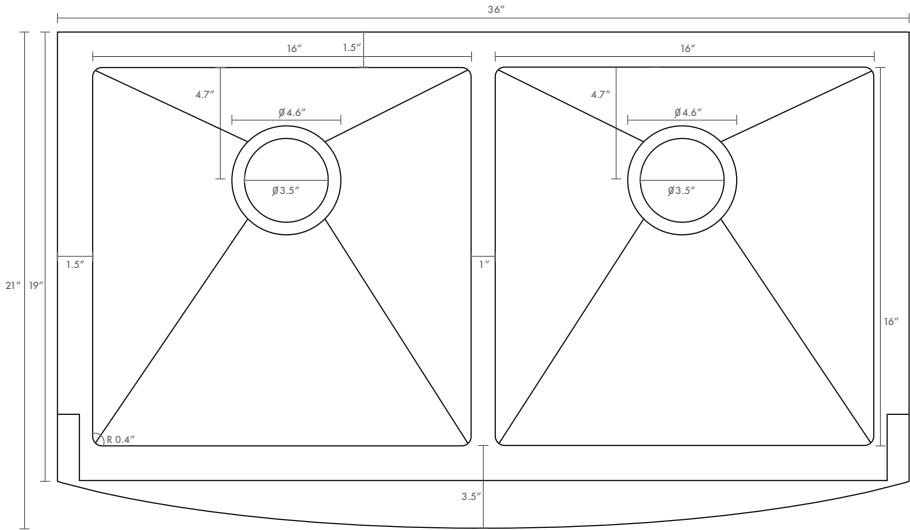
SC70D-33



SINK DIMENSIONS

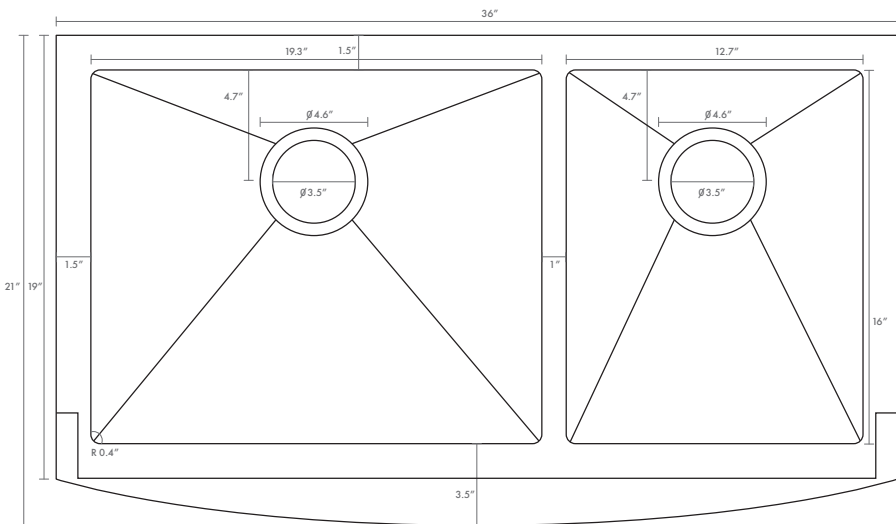
Apron Front Double Bowl Sink

SA50D-36/SA50D-36S



Apron Front Double Bowl Sink

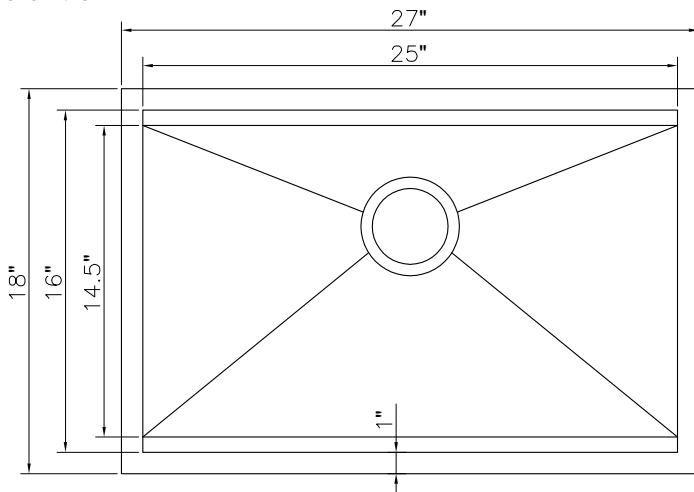
SA60D-36/SA60D-36S



SINK DIMENSIONS

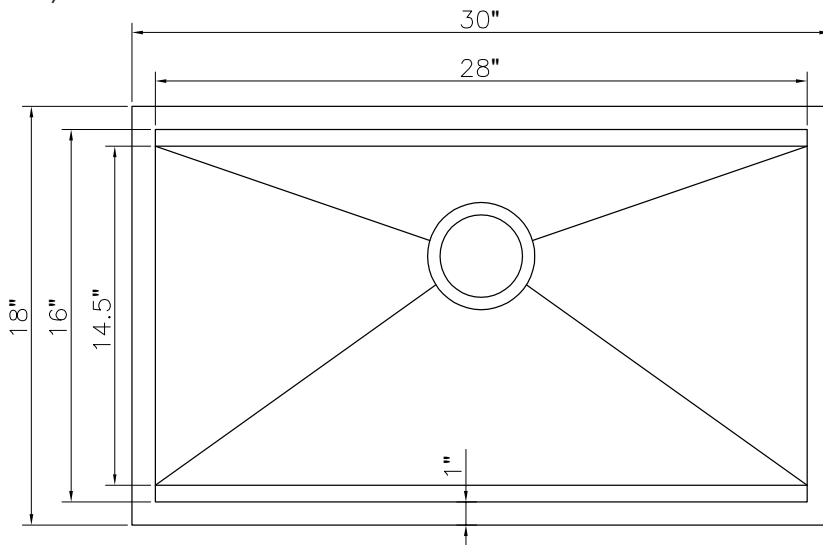
Undermount Ledge Single Bowl Sink

SLS-27/SLS-27S



Undermount Ledge Single Bowl Sink

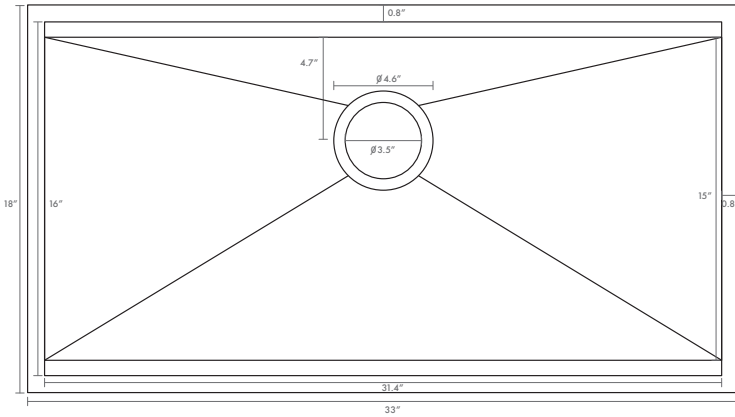
SLS-30/SLS-30S



SINK DIMENSIONS

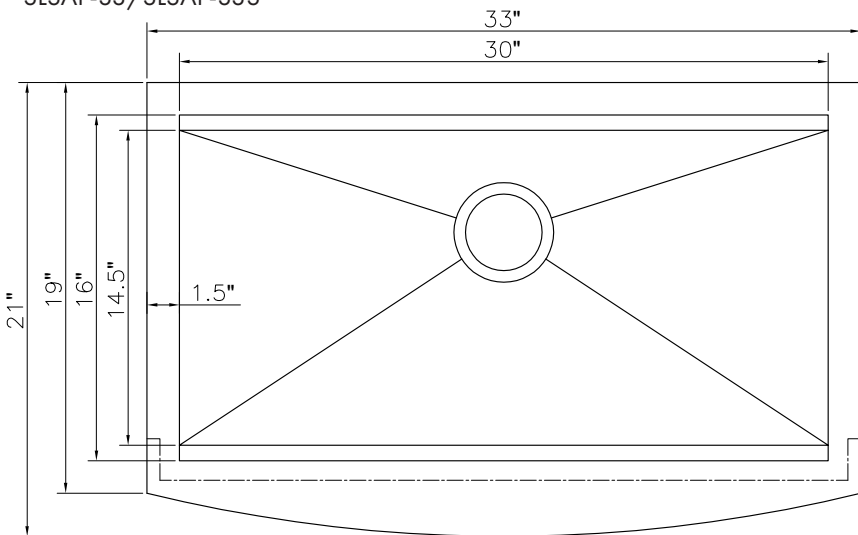
Undermount Ledge Single Bowl Sink

SLS-33/SLS-33S



Undermount Ledge Apron Single Bowl Sink

SLSAP-33/SLSAP-33S



Before Installation

Inspect the sink for any visible defects. Do not install the sink if defects are found. Call customer service at 1-614-777-5004 for assistance.

Remove the drain by unscrewing the screw from the drain until it is completely separated from the sink.

Top Mount Installation

1. Trace the opening.

Locate the “top mount” template in the box.

Carefully cut along the dotted lines. Keep the inside portion of the template. It contains important information concerning the care and maintenance for your sink.

Place the template on the counter where you would like your sink to be installed.

When installing the template, make sure that the tank will not interfere with cabinet doors or panels. Ensure that there is enough space for the water supply installation.

Fix the template on the counter using masking tape. Trace the inside of the template meticulously with a pencil. Remove the template.

OR

Turn the sink upside down and place it on top of the counter. Note the location of cabinet doors and panels to ensure that they will be compatible with the sink installation.

Ensure that there is enough space for the water supply installation.

Trace the outer edge of the sink with a pencil, then remove the sink.

Measure 7 mm from the initial sink measurement and trace another line on the inside of the drawing. This second line will be the cutting line.

2. Cut the Opening

Using the drill, make a small starting hole of about 1.2 cm (0.5 in) on the inside of the cutting line. Drill a second time in this same hole with a larger bit so the jigsaw can be inserted properly.

Put masking tape on the outer side of the cutting line. This will protect the counter from scratches and shattered fragments caused by the jigsaw.

Using the jigsaw, trim the inside of the cutting line.

Insert the sink and adjust the opening if required.

Top Mount Installation Continued

3. Drain Installation

Insert the metal strainer into the rubber seal, and then into the draining hole.

Install the rubber gasket and the main drain body underneath the sink.

Using the screw, tighten the main drain body and the metal strainer into place.

Install the basket on top of the metal strainer.

Repeat the same procedure for the installation of the second draining hole (twin and double bowls only).

Note: plumber putty is not required for the installation of these drains.

4. Insert Sink

Verify that the sink fits perfectly. The lip of the sink should be resting on the countertop.

5. Insert Clips

Insert clips into the rails.

6. Fix the Clips

Fix the clips into place.

7. Seal with Silicone-based Sealant.

Seal with silicone-based sealant all around the sink.

8. Pipe Installation

Install the faucet following the manufacturer's instructions.

Excess sealant must be removed promptly with a suitable clean-up solvent recommended for use on both the counter and sink to ensure damage does not occur.

Undermount Installation

1. Trace the Opening

Locate the undermount installation template in the box.

Cut carefully along the dotted lines. Keep the inside portion of the template. It contains important information concerning the care and maintenance for your sink. Place the template on the counter where you would like your sink to be. When installing the template, make sure that the tank will not interfere with cabinet doors or panels. Ensure that there is enough space for the water supply installation. Fix the template on the counter using masking tape.

Trace the inside of the template meticulously with a pencil.

Remove the template.

2. Cut the Opening

Using a drill, make a small starting hole of about 1.2 cm (0.5 in) inside of the cutting line.

Drill a second time in this same hole with a larger bit so the jigsaw can be inserted properly.

Put masking tape on the outer side of the cutting line. This will protect the counter from scratches and shattered fragments caused by the jigsaw.

Using the jigsaw, trim the inside of the cutting line.

3. Build a Support Frame

Build a support frame to hold the sink.

Make sure there is enough space for the rails on the support frame.

4. Drain Installation

Insert the metal strainer into the rubber seal, and then into the draining hole.

Install the rubber gasket and the main drain body underneath the sink.

Using the screw, tighten the main drain body and the metal strainer into place.

Install the basket on top of the metal stainer.

Repeat the same procedure for the installation of the second draining hold (twin and double bowls only).

Note: Plumber putty is not required for the installation of these drains.

Undermount Installation Continued

5. Insert the Sink

Insert the sink on the support frame. Apply silicone-based sealant to each corner between the frame and the sink.

6. Seal with Silicone-based Sealant

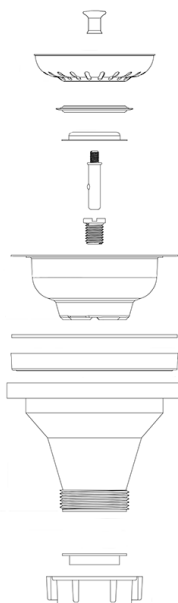
Apply silicone-based sealant on the border of the sink and install the countertop. Remove excess sealant.

7. Pipe Installation

Install the faucet following the manufacturer's instructions. Make proper water and waste pipe connections.

Excess sealant must be removed promptly with a suitable clean-up solvent recommended for use on both the counter and sink to ensure damage does not occur.

Sink Drain Schematics



Easy Cleaning Instructions

Rinsing is the most important part of sink care. A stainless steel sink finish will retain its original bright appearance if the sink is rinsed thoroughly after each use. Running the water from the spray hose for a few minutes will be thorough. Typically, a rinse and towel drying after each use will take care of most everyday clean ups. Ideally, once a week, the sink should be scoured with a mildly abrasive cleaner, such as Comet. Rubbing back and forth in the direction of the polish or grain lines will not only remove stubborn stains and greasy film buildups, but will blend usage scratches into the satin finish of the sink. After scouring, rinse thoroughly and wipe dry.

Scratches

Like most metals, your new stainless steel sink will scratch. These are merely usage scratches and over time will blend into the overall finish of your sink with proper cleaning.

Knives

Your sink is designed to serve as many things but not as a cutting board or chopping block. This type of use will lead to deep scratches in the sink finish and will dull your knives.

Water Quality

The quality of your water can affect your sink's appearance. If your water has a high iron content, a brown surface stain can form on the sink giving the appearance of rust. Additionally, in areas with a high concentration of minerals, or with oversoftened water, a white film may develop on the sink. To combat these problems, we suggest that the sink be towel dried after use, and again, on a weekly basis, the sink should be cleaned using a recommended cleanser.

Foods

Heavy salt concentration or foods containing high levels of salt should not be allowed to dry on the sink surface. Rinse your sink thoroughly after use.

DOS AND DON'TS

Do rinse thoroughly after each use.

Do towel dry after each use to prevent mineral deposits from building up on the surface of the sink.

Do clean the sink once a week, being sure to rub in the direction of the satin finish grain lines.

Do use a bottom grid or rinsing basket to “protect” the finish. Bottom grids and rinsing baskets can remain in the sink and will not cause rusting or pitting.

Do Not rub the sink across the satin finish lines. Scouring across the satin finish lines can damage the original sink finish.

Do Not allow soap or other household cleansers to dry on the surface of the sink. Most brands contain chemical additives which will affect the original finish.

Do Not use solutions of chlorine bleach and water in the sink. Chlorides, which are found in most soaps, detergents, bleaches, and cleansers, are very aggressive to stainless steel. If left on the sink too long they can cause surface pitting.

Do Not use a steel wool pad to clean your sink. If a more abrasive product is needed, use a green Scotch Brite pad being sure to rub in the direction of the satin finish grain lines. Steel wool pads have a tendency to break apart and small particles of steel can become embedded in the surface of the sink. The steel particles will rust and will give the appearance that the sink itself is rusting.

Do Not use rubber mats or dishpans in the sink. Leaving rubber mats or dishpans in the sink can lead to surface rust or possible pitting. However, if you insist on using mats or dishpans, please remove them after each use and rinse thoroughly.

Do Not leave wet sponges, cloths, or cleaning pads on the sink. This can lead to surface rust.

Following these recommendations for the care and cleaning of your stainless steel sink will ensure that it will provide you with many years of service.



ZLINE
KITCHEN AND BATH

Three Locations:

350 Parr Circle
Reno, NV 89512

916 Delaware Avenue
Marysville, OH 43040

319 Rowland Mill Road
Bruceton, TN 38317

www.zlinekitchen.com

1-614-777-5004