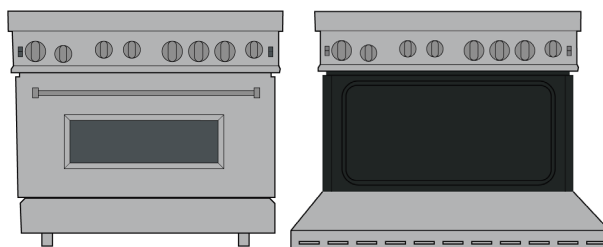


GAS OVEN CONVERSION PROCEDURE

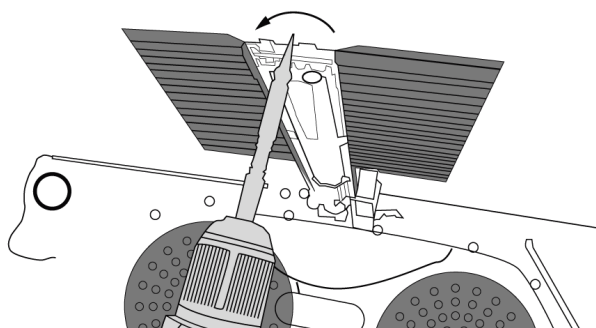
Step 1:

Open the oven door and remove the tray and racks.



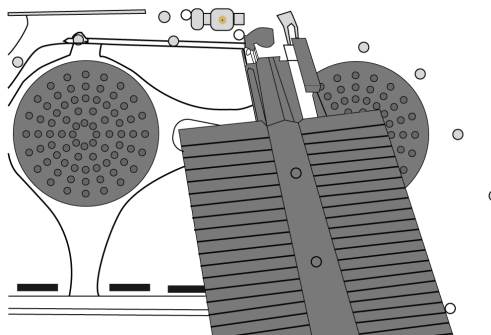
Step 2:

Remove the upper burner screw.



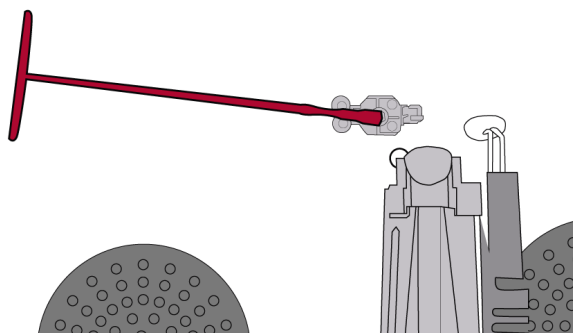
Step 3:

Remove the burner from its connection against the back wall of the oven. Be careful not to scratch or damage the connection wire that will remain connected throughout this procedure.

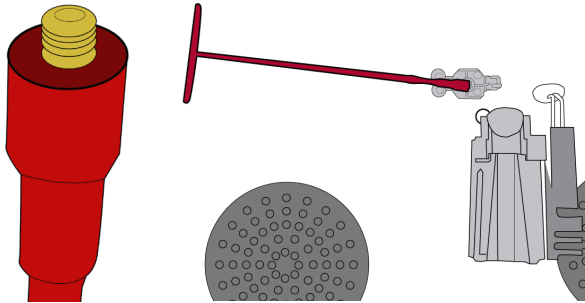


Step 4:

Using a 7mm (9/32) tap or socket wrench, remove the nozzle, screwing counter clockwise.

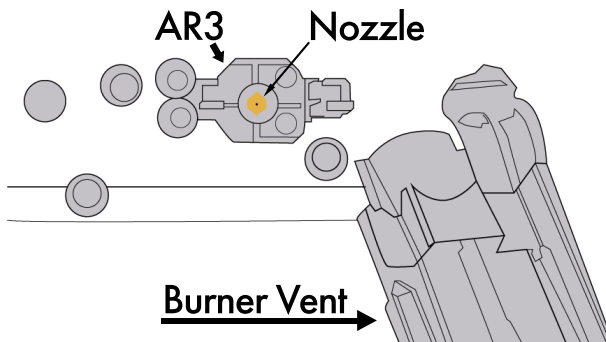


GAS OVEN CONVERSION PROCEDURE



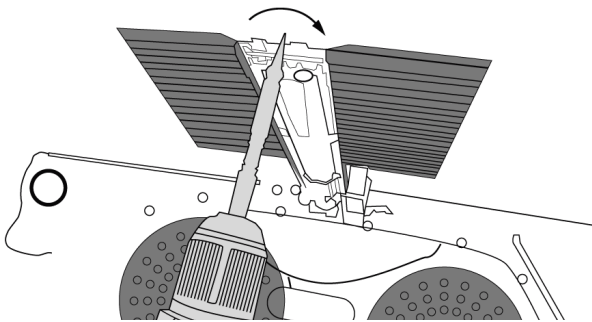
Step 5:

Set the natural gas nozzle aside and replace with the propane nozzle. Screw in and tighten the new nozzle; clockwise.



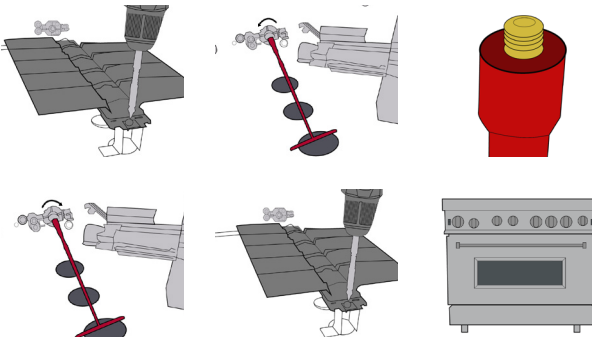
Step 6:

Place the burner vent back into position over the new nozzle in the AR3 slot.



Step 7:

Secure the burner back in place with the mounting screw that was removed in step 2.



Step 8:

Follow steps 2 through 7 with the bottom burner. Ensure the nozzles and burners are secured properly.

GAS OVEN CONVERSION PROCEDURE

LPG: Liquid Propane Gas **NG:** Natural Gas

The Oven Upper Burner is:

LPG: 1.08 - **L15** NG: 1.79 - **N15**

The Oven Bottom Burner is:

LPG: 1.27 - **L20** NG: 2.38 - **N21**