

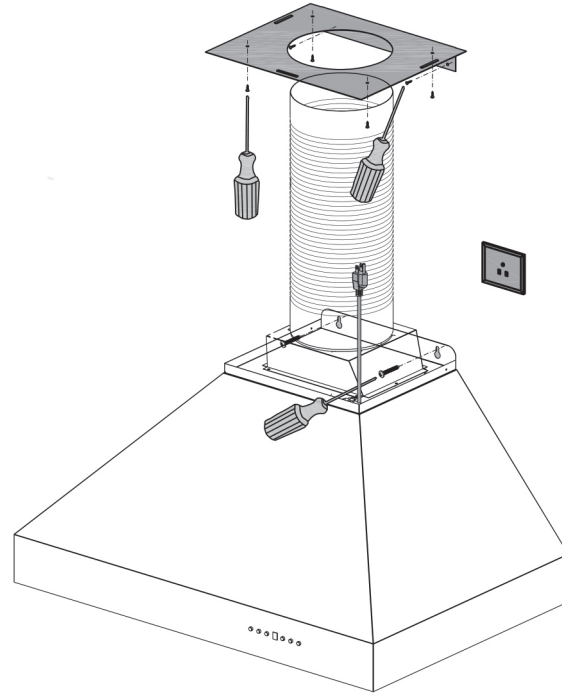
Installing Crown Moldings



Installation
Tutorial Video

★ *If using a crown molding follow instructions before attaching ducting and chimney sections.*

- 1 Attach crown molding bracket to ceiling using hardware provided.
- 2 Attach ducting and electrical connections.
- 3 Attach chimney sections to the range hood then connect to crown molding bracket.



- 4 Slide crown molding onto crown bracket and secure into place.

