

INSTALLING THE DESK ONTO THE WALLBED (Box6-DSK) Assembly Instructions

1

Congratulations and a Big Thank You for your purchase of a Wallbed Gallery Murphy Bed!

We sincerely appreciate your business!

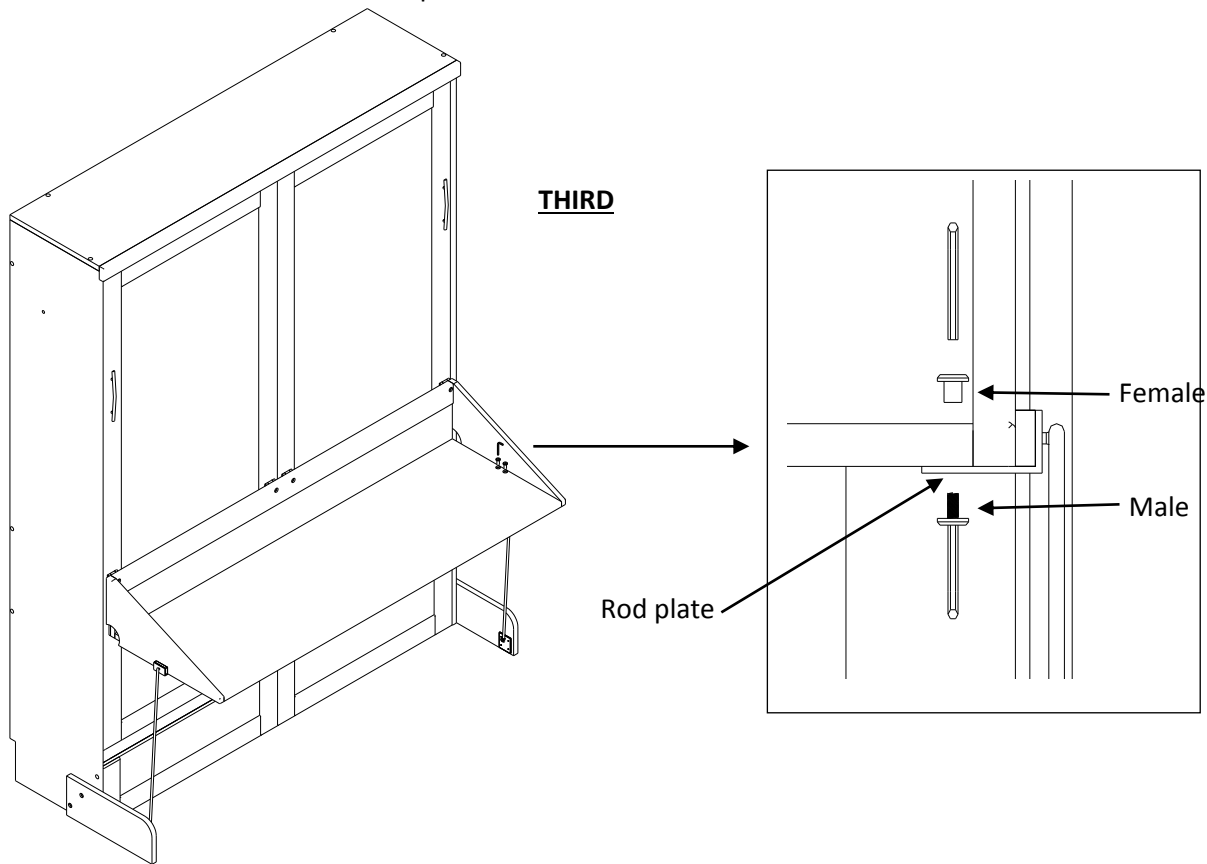
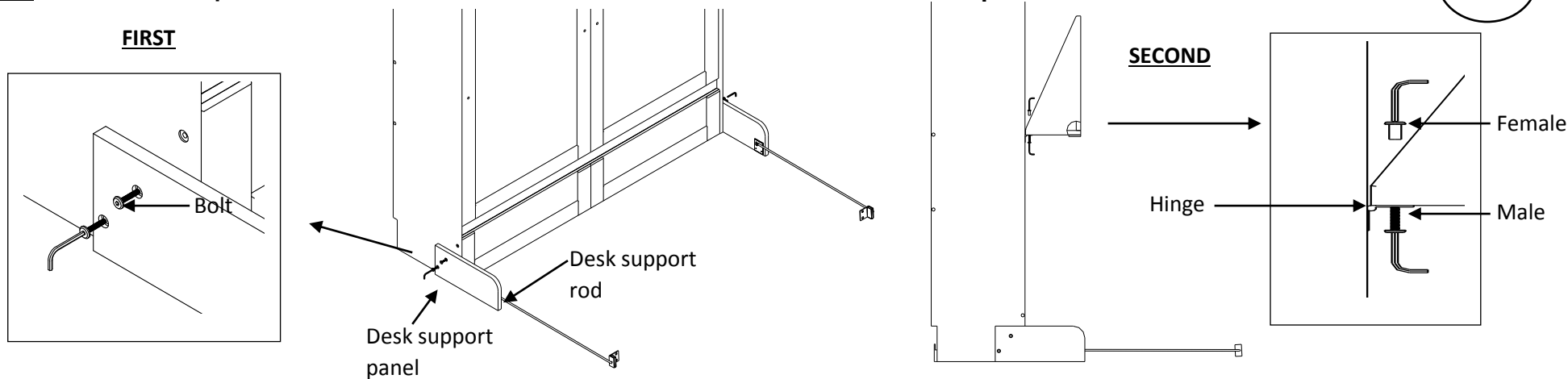
First – a few words of advice and caution:

1. Please do this job with two people. Attempting to do it alone, though heroic, could lead to product damage or injury because some things can be too heavy for just one person to safely handle. With two people, the job will be much smoother and safer.
2. Please read and follow the instructions carefully, as it will save time and avoid possible incorrect installation of the product.
3. Please do not over-tighten screws and bolts, as it may lead to “stripping” the threads and make the connection weak. The best rule of thumb is “snug is good”.
4. If you will be installing your Murphy Bed on a hard surface such as stone, hardwood floor, tile, (not carpet), please lay down sufficient padding (such as blankets, comforters, etc.) to protect the wood parts of your wallbed from the floor, and vice-versa.
5. **Before you begin your installation, PLEASE take a few minutes to WATCH our helpful assembly VIDEO which is available for viewing online at www.wallbedgallery.com/video**

**AFTER FOLLOWING THE WALLBED INSTRUCTIONS THROUGH STEP 3F,
YOU ARE NOW READY TO INSTALL THE DESKTRAY**

STEP 3G – Install desk top in box #6 ,connectit with the connection hardware in bubble pack #4.

2



INSTALL THE DESK TOP:

First: Use two Allen-head bolts to attach the desk support panels to each side. There are “left” and “right” desk support panels, so be sure you install them as shown with the desk support rod toward the inside, and the curved corner of each panel facing up.

Second: Use four larger male/female connectors to attach the desk top to the face of the bed tray. One person can hold the desk top vertically above the hinge knuckles as shown, while another person attaches the two outer hinges on each side first. Then continue to the two center hinges.

Third: Using the four smaller male/female connectors, attach the Rod Plate of the desk support rod to the outer edge of the desk top.

APPENDIX 1 – Mounting your Murphy Bed to a concrete wall (such as is often found in a basement).

If you have either brick or masonry WITHOUT DRYWALL - We recommend the TAPCON Concrete Screw System, model 3/16" x 2.1/4" flat-head screw. You can find this product at:

HOME DEPOT: model# 24372, Internet sku# 202516426, store sku# 156942 (this item comes with the drill bit needed)

LOWES: model# 24360, item# 61657 AND you will also need a 4" or longer 5/32 concrete drill bit separately.

** You can watch informational video on installing Tapcon Screws into concrete, brick, or other masonry at:

www.confast.com/articles/install-concrete-screws.aspx

If you have DRYWALL ON TOP OF THE MASONRY – We recommend the TAPCON 3/16" x 2.3/4" concrete anchor.

HOME DEPOT: model# 24310, internet# 100170162, store sku# 155764

LOWES: model# 24310 item #79361

We believe these come with the appropriate 5/32 drill bit.

Installing screws into masonry will require the use of a "hammer drill" to drill the pilot hole – not a normal drill gun – so you may want to start calling "handy" friends to see if they possess this tool.

When you drill the holes for installation into masonry – you can use the 3 holes in the flange arm as a guide, and otherwise follow the same instructions as shown in STEP 2F.

WARNINGS FOR YOUR SAFETY:

1. THE MAXIMUM RECOMMENDED QUEEN SIZE MATTRESS WEIGHT IS 100 LBS.
2. WHEN MOVING/REMOVING YOUR MATTRESS:
 - a. Once you have completed step 3C, you have installed sufficient springs to make your bed tray move up and down smoothly with your mattress on the bed tray.
 - b. DANGER: If the weight of the mattress were not on the bed tray after you have installed 10 to 14 springs, the springs are strong enough to lift the empty bed tray to the vertical position very quickly – which could result in an injury if a person were struck by the fast moving tray.
 - c. To avoid the chance of injury when removing or changing your mattress, YOU MUST FIRST REMOVE ALL BUT TWO SPRINGS BEFORE REMOVING THE MATTRESS.