

# Imagine

## IMG-800-S

With refined styling and a streamlined profile, the Imagine is packed with new design innovations. This banner stand is our most popular removable cassette roller system and has been specially designed for maximum convenience and ease of use.



literature pocket accessory addition



integrated pole storage

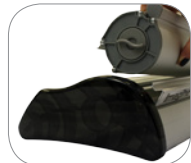
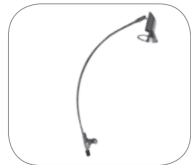


**Banner Stand Accessories:**  
easy connection with cam lock and channel

## features and benefits:

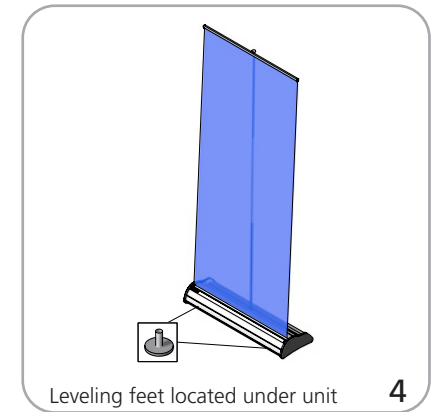
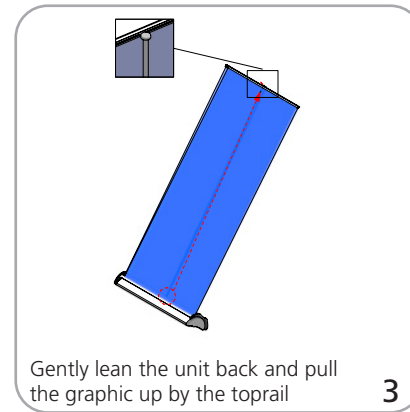
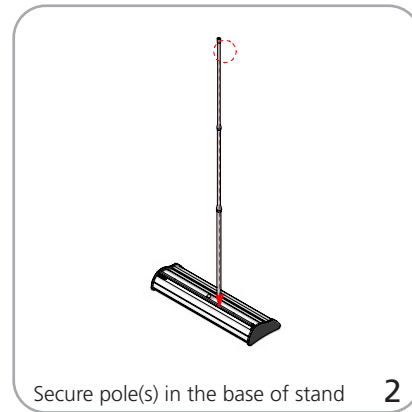
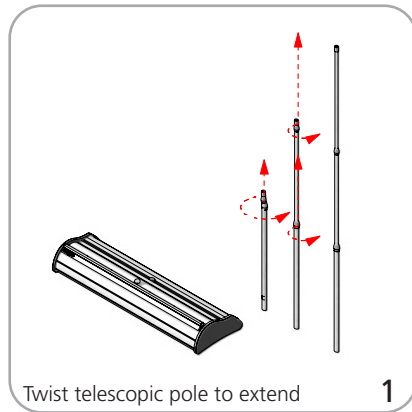
- Variable height = 29.5" - 83.35"
- Drop-in interchangeable cassette accommodates graphic media up to 17.72 millimeters thick\*
- Telescopic pole with premium grip rail
- Integrated pole storage for the twist & lock telescopic pole
- Accessory channel featured on top of unit (to add a literature pocket or arm table accessory)
- Add your own branding using the slide in graphic channel along the banner stand base
- Premium form molded EVA bag included
- Graphic tensioner
- Anti-slip strips along base
- Lifetime warranty against manufacturer defects

## dimensions:

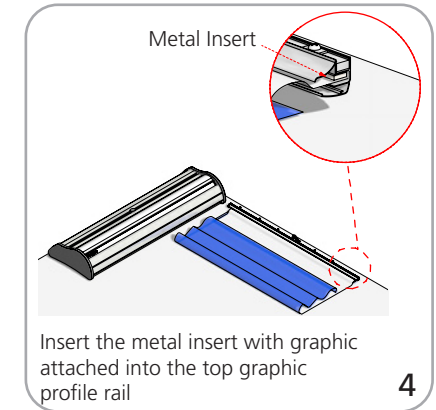
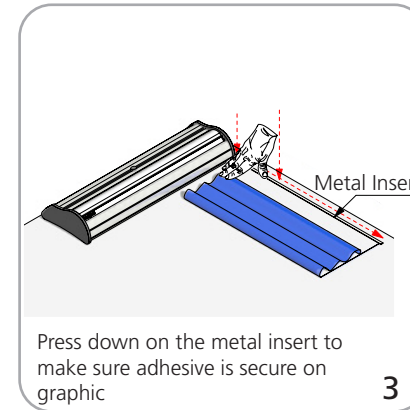
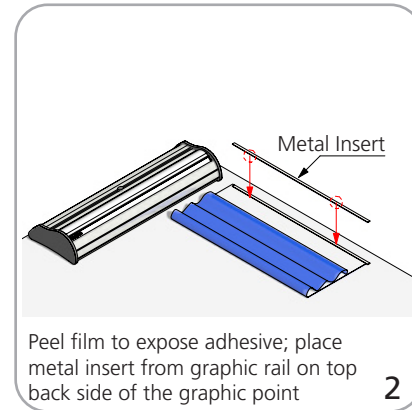
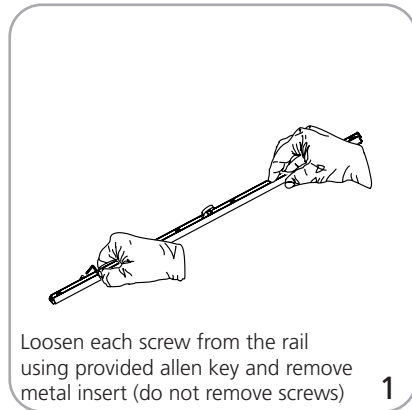
Hardware	Graphic
<p><b>Assembled unit:</b> 87" (h) max x 34.25" (w) x 8.50" (d) approx. 2210mm(h) x 870mm(w) x 220mm(d) approx.</p> <p><b>Base dimensions:</b> 3.75" (h) x 34.10" (w) x 8.50" (d) approx. 95mm(h) x 865mm(w) x 215mm(d) approx.</p> <p><b>Weight:</b> 10.9 lbs / 4.95 kgs approx. (including carry bag) (Installed graphic add weight)</p>	<p><b>Visible dimensions:</b> 83.35" max(h) x 31.50" (w) 2117mm(h) x 800mm(w)</p> <p>29.5" min(h) x 31.50" (w) 750mm(h) x 800mm(w)</p> <p>Grippa top rail attachment recommended for semi-permanent or long term use. Adhesive top rail attachment recommended for short term use.</p> <p><b>WARNING:</b> Always attach graphic to base and top rail before removing the locking pin. After fitting, the graphic should be left for 24 hours before use to ensure the adhesive bonds sufficiently. Opening the base will invalidate the product warranty.</p> <p>Graphic tension may be re-applied or added by turning the ratchet tensioner clockwise.</p> 
<p>Shipping</p> <p><b>Shipping dimensions - ships in one box</b> 37" (h) x 12" (w) x 5" (d) 920mm(h) x 290mm(w) x 110mm(d)</p> <p><b>Approximate shipping weight:</b> 17 lbs / 7.71 kgs shipping weight with graphic approx.</p> <p>11 lbs / 4.95 kgs shipping weight without graphic approx.</p>	<p><b>additional information:</b></p> <p>Graphic materials: 14oz. anti-curl vinyl, 8oz. oxford, 11 mil melinex</p> <p>Stand-off rectangle counter top is available in black thermoform only.</p> <p>Stand-off literature rack is available (L112-2 only)</p> 
	<p><b>additional information:</b></p> <p>Lumina 2 banner lighting option available</p>

We are continually improving and modifying our product range and reserve the right to vary the specifications without prior notice. All dimensions and weights quoted are approximate and we accept no responsibility for variance. E&OE. See Graphic Templates for graphic bleed specifications.

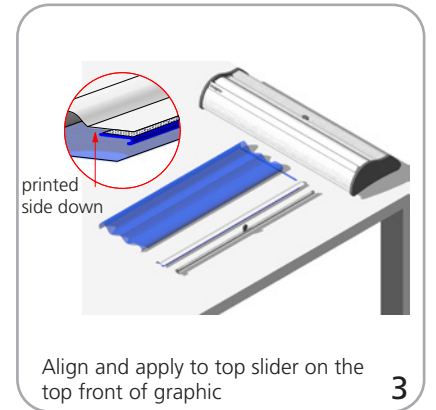
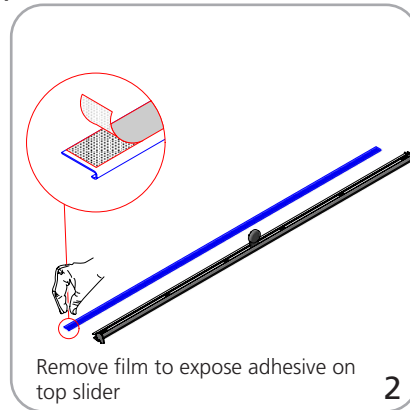
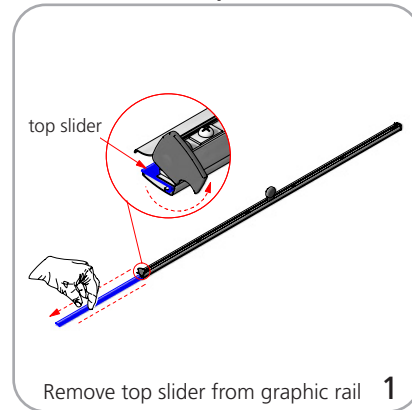
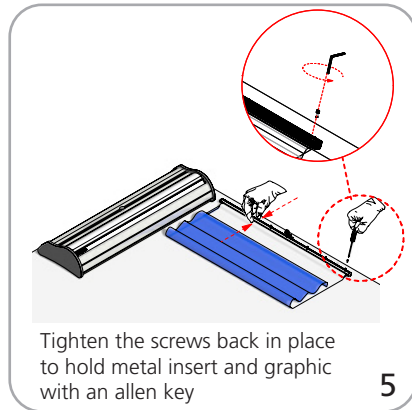
## Set-up



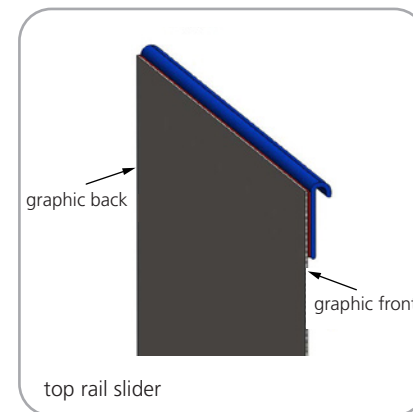
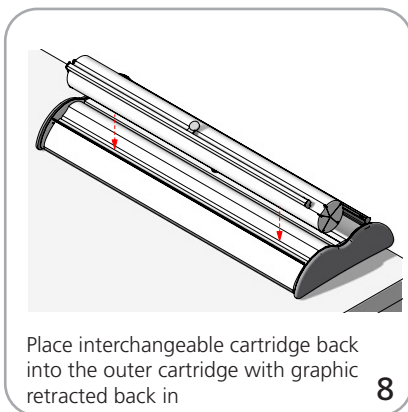
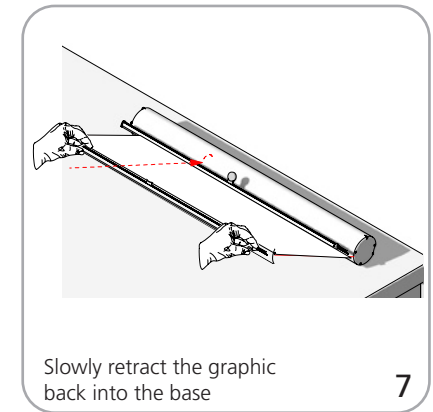
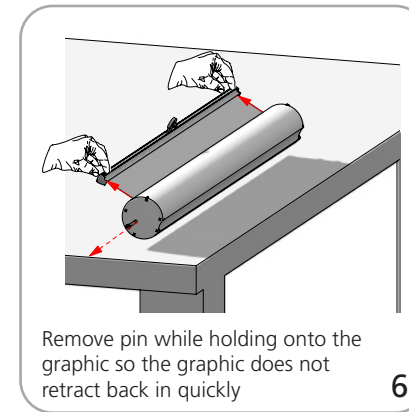
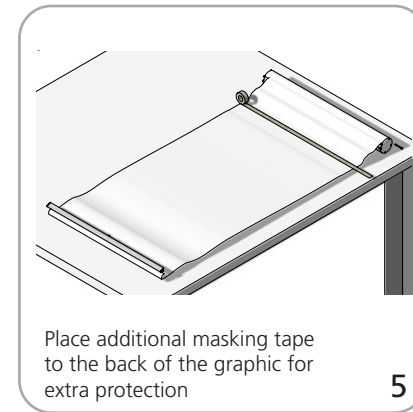
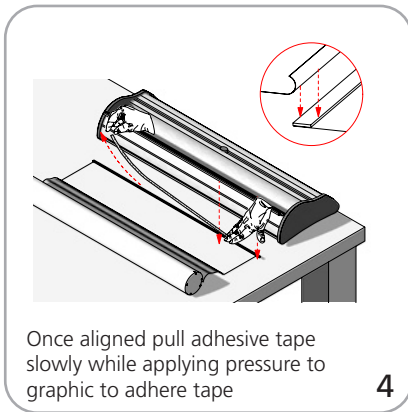
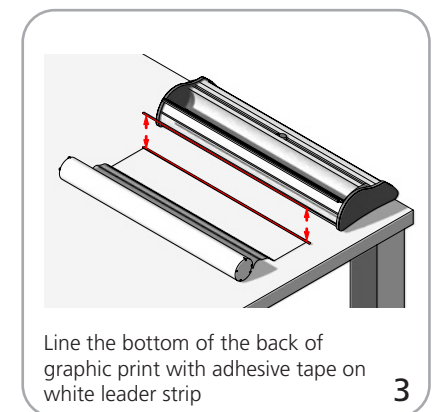
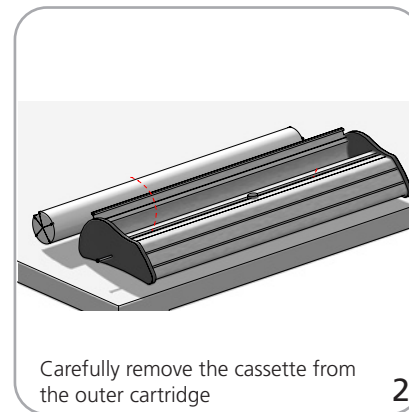
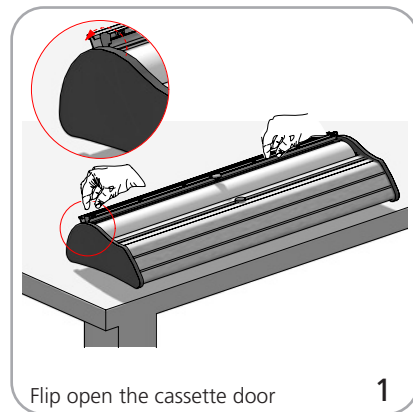
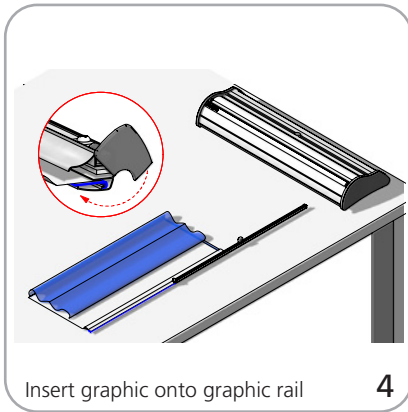
## Graphic to top rail attachment (metal insert)



## Quick slide top rail attachment (plastic insert)



## Graphic to base attachment



# Check out these related products:

---



Orient



Orient 2



Advance



Barracuda



Lumina 2



Excalibur

---