

Orient 1

ONT-800-S-3 / ONT-800-B-3

ONT-920-S-3 / ONT-920-B-3

ONT-1000-S-3 / ONT-1000-B-3

The Orient is a simplistic and elegantly designed banner stand that has the capability to be double sided. Dual retractor mechanisms allow you to present two graphics back to back. It is finished in anodized silver or black with heavy duty molded endplates. Padded carry bag is included.



Available in black



We are continually improving and modifying our product range and reserve the right to vary the specifications without prior notice. All dimensions and weights quoted are approximate and we accept no responsibility for variance. E&OE. See Graphic Templates for graphic bleed specifications.

features and benefits:

- Anodized black or silver base options
- Three piece bungee cord pole
- Premium grip rail
- Adjustable feet
- Molded endplates
- Supplied with a padded carry bag with strap
- Lifetime warranty against all manufacturers defects

dimensions:

Hardware

Assembled unit (approximate sizes):

Orient 800: 85.04"(h) x 32.68"(w) x 7.28"(d)
2160mm(h) x 830mm(w) x 185mm(d)

Orient 920: 85.04"(h) x 37.49"(w) x 7.28"(d)
2160mm(h) x 950mm(w) x 185mm(d)

Orient 1000: 85.04"(h) x 40.55"(w) x 7.28"(d)
2160mm(h) x 1030mm(w) x 185mm(d)

Base dimensions:

Orient 800: 3.15"(h) x 32.68"(w) x 7.28"(d)
80mm(h) x 830mm(w) x 185mm(d)

Orient 920: 3.15"(h) x 37.49"(w) x 7.28"(d)
80mm(h) x 950mm(w) x 185mm(d)

Orient 1000: 3.15"(h) x 40.55"(w) x 7.28"(d)
80mm(h) x 1030mm(w) x 185mm(d)

Shipping

Shipping dimensions: ships in one box

Orient 800: 5"(h) x 38"(w) x 9"(d)
127mm(h) x 965mm(w) x 229mm(d)

Orient 920: 5"(h) x 42"(w) x 9"(d)
127mm(h) x 1067mm(w) x 229mm(d)

Orient 1000: 5"(h) x 45"(w) x 9"(d)
127mm(h) x 1143mm(w) x 229mm(d)

Approximate shipping weight:

Orient 800: 12 lbs without graphic

Orient 920: 13 lbs without graphic

Orient 1000: 14 lbs without graphic

Graphic

Visible dimensions:

Orient 800: 83.25"(h) x 31.5"(w)
2114.55mm(h) x 800.1mm(w)

Orient 920: 83.25"(h) x 35.5"(w)
2114.55mm(h) x 901.7mm(w)

Orient 1000: 83.25"(h) x 39.25"(w)
2114.55mm(h) x 997mm(w)

Grippa top rail attachment recommended for semi-permanent or long term use. Adhesive top rail attachment recommended for short term use.

WARNING: Always attach graphic to base and top rail before removing the locking pin. After fitting, the graphic should be left for 24 hours before use to ensure the adhesive bonds sufficiently. Opening the base will invalidate the product warranty.

additional information:

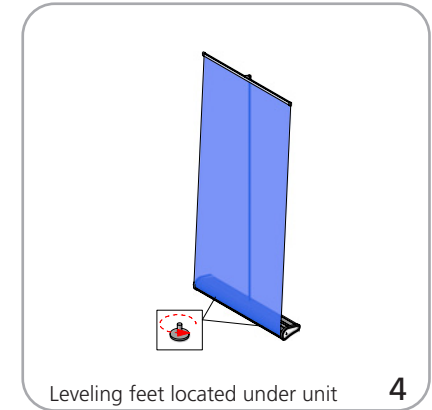
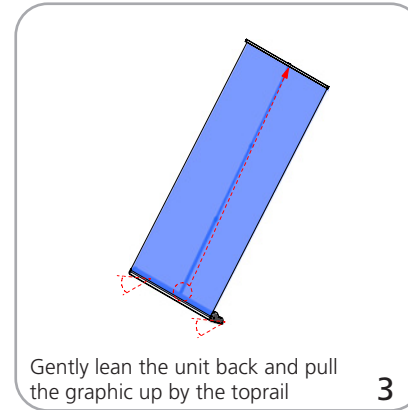
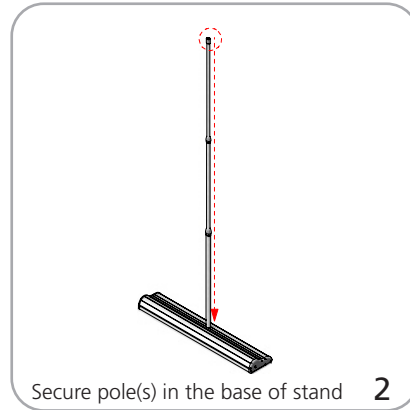
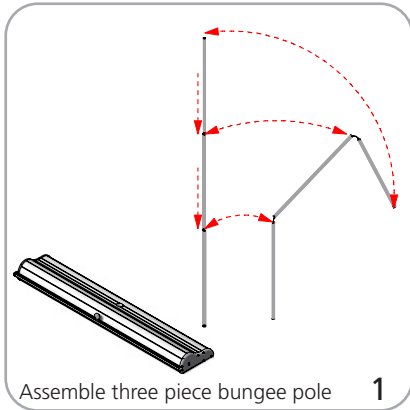
Graphic materials:

14oz anti-curl vinyl, 8oz. oxford, 11 mil melinex

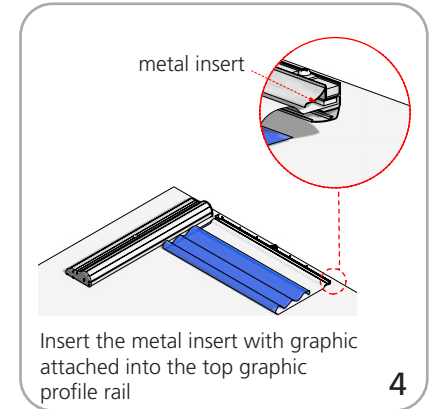
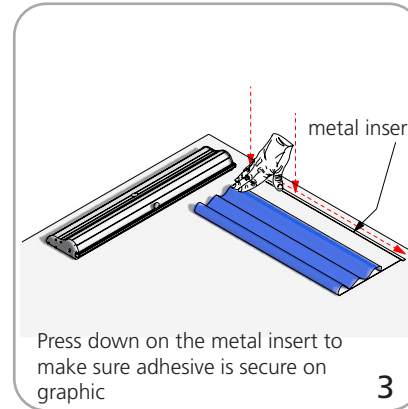
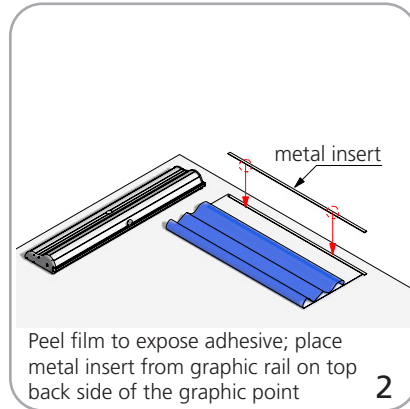
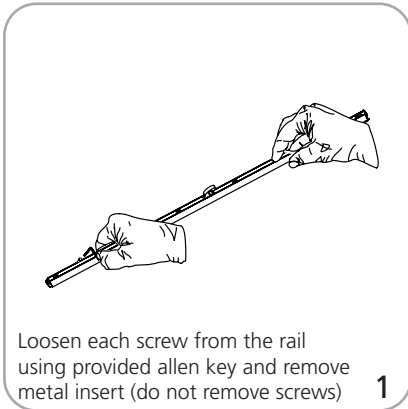
Lumina 2 banner lighting option available



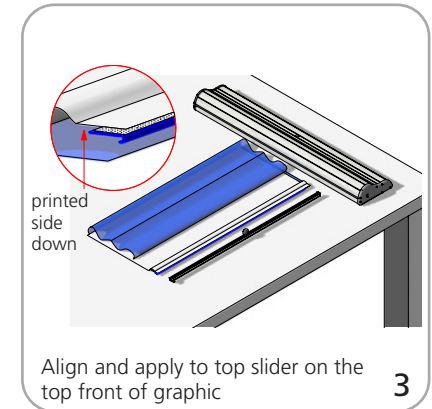
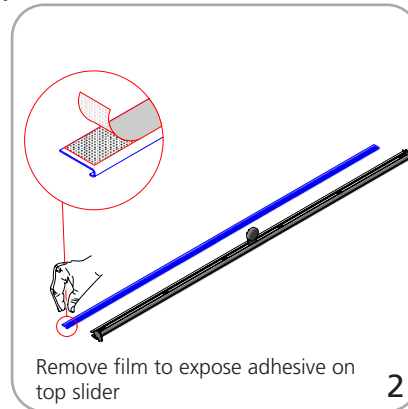
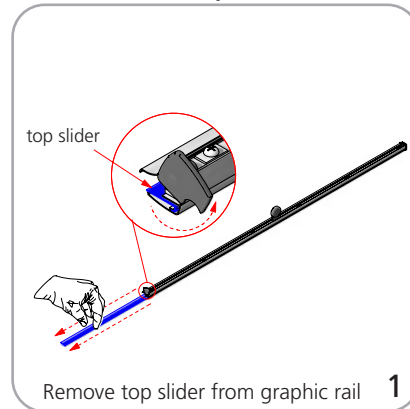
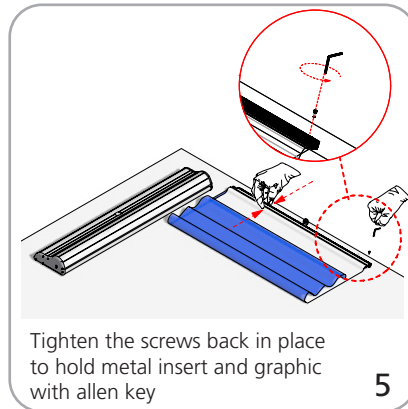
Set-up



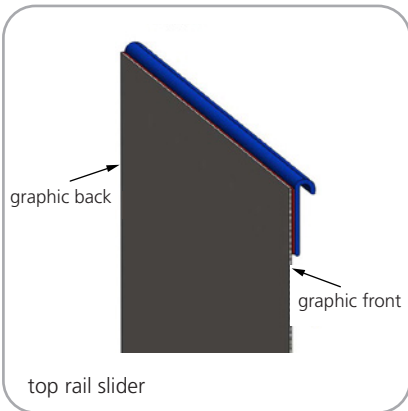
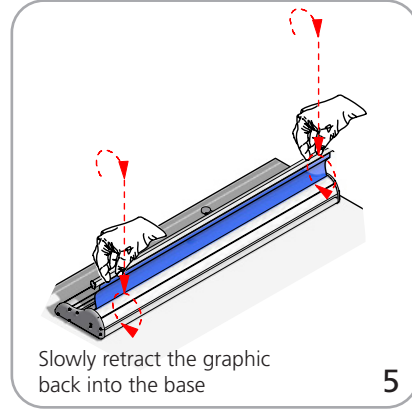
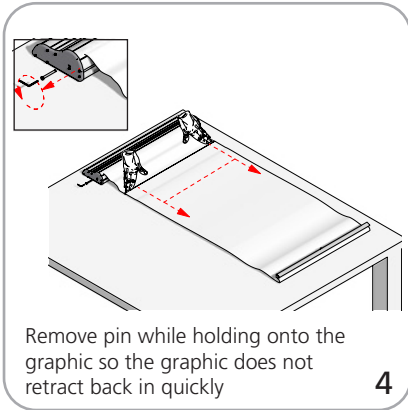
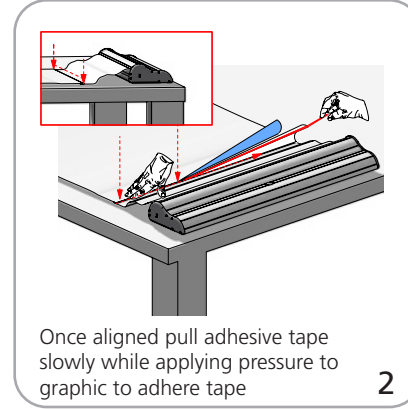
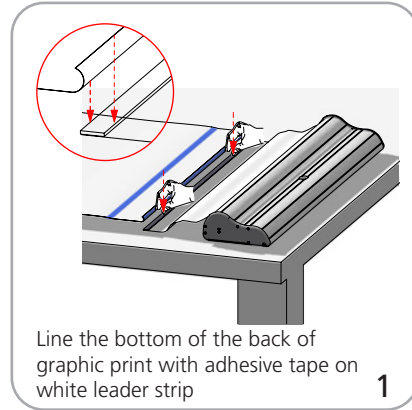
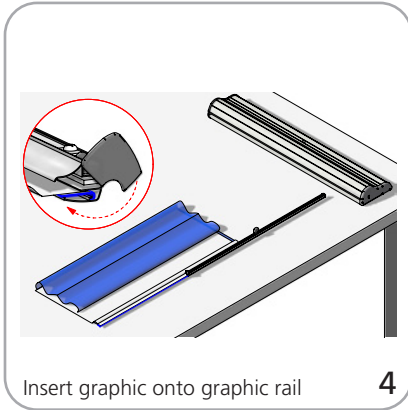
Graphic to top rail attachment (metal attachment)



Quick slide top rail attachment (plastic insert)



Graphic to base attachment



Check out these related products:



Orient



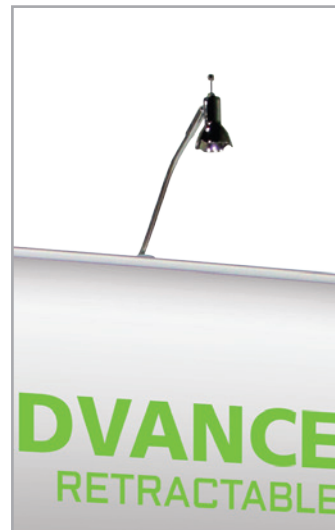
Imagine



Advance



Barracuda



Lumina 2



Excalibur