

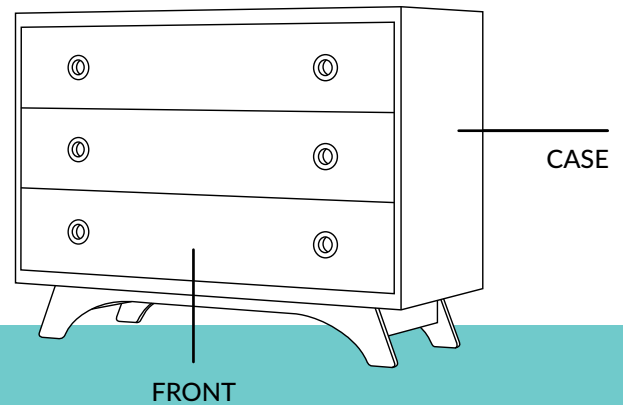
# 3 drawer dresser 820

Melon

## Product code summary

820 003 10 16 10\*

\*Model displayed on cover page



1

Model

820 003

2

Case

All finishes  
except Walnut\*

3

Front

All finishes\*

4

Case

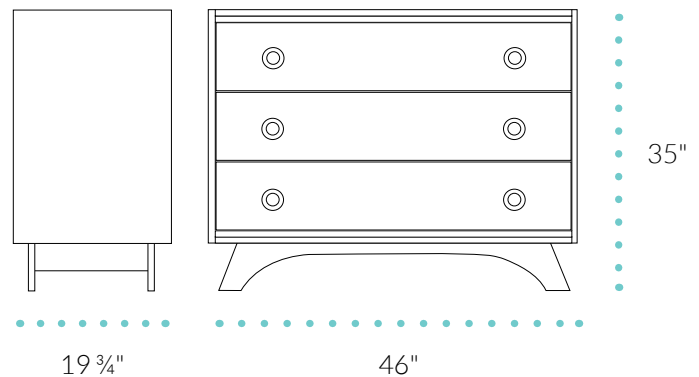
Indicate the same finish  
number as step 2

\*See complete color chart in the general information document

## Features and benefits

- Drawer features partial extenders with automatic stoppers that protects child's fingers
- German hardware guaranteed by original manufacturer
- Includes safety strap to securely attach furniture to the wall
- Drawers include dividers for efficient organization and storage
- Available in a variety of finishes
- Entirely made out of wood from sustainable managed forests (FSC)
- Made in Canada by our skilled craftsmen

## Dimensions



### Raw Material

Laminated birch plywood

### Finish

Use of non toxic finishes  
Ultra gentle hand-sanded finishing

### Additional Information

Box: 48 3/4"W x 21 1/4"D x 37"H

Volume: 22.1 ft<sup>3</sup> / 0.63 m<sup>3</sup>

Weight: 160 lb / 72.57 kg

Non UPSable