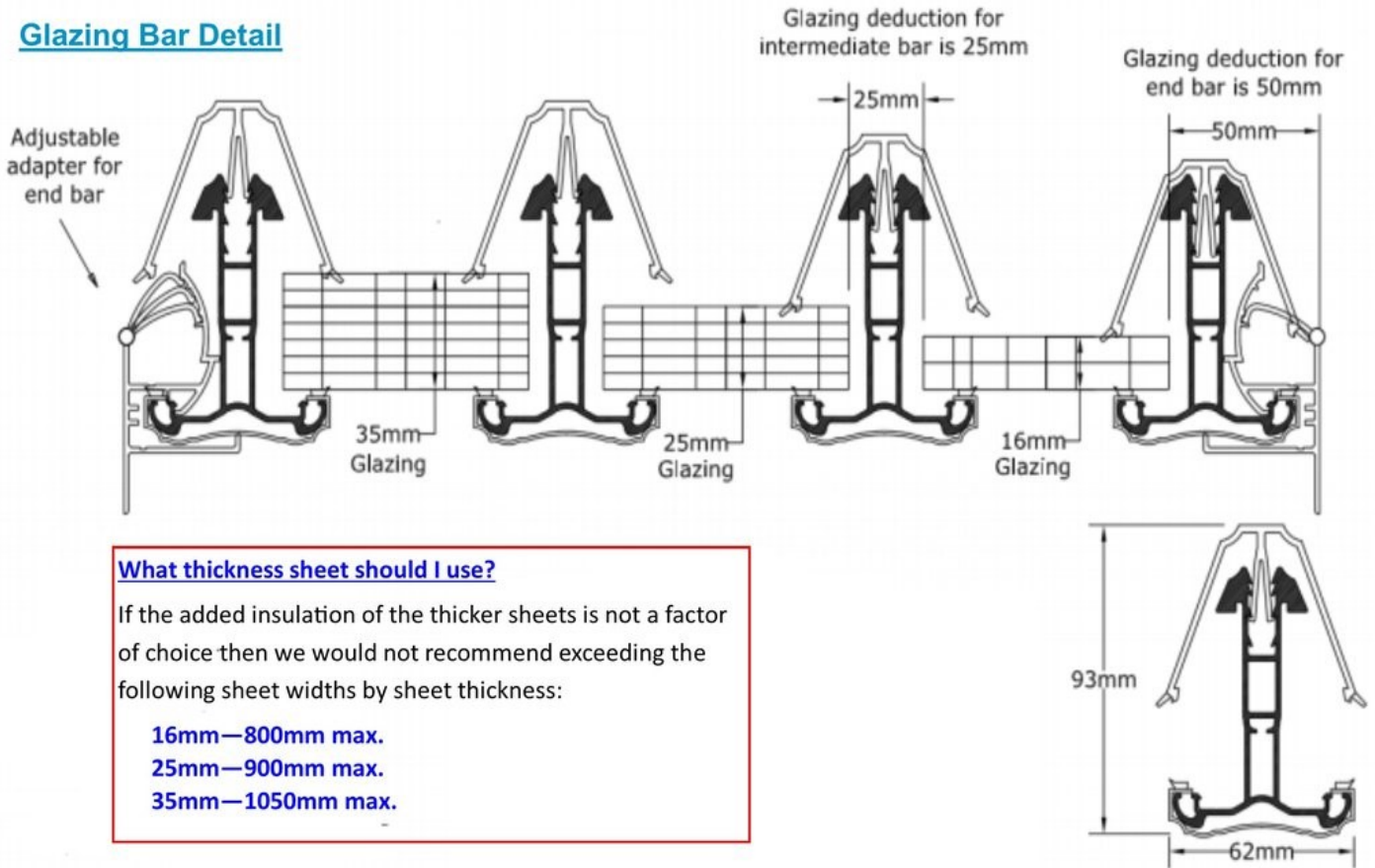


Glazing Bar Detail



What thickness sheet should I use?

If the added insulation of the thicker sheets is not a factor of choice then we would not recommend exceeding the following sheet widths by sheet thickness:

- 16mm—800mm max.
- 25mm—900mm max.
- 35mm—1050mm max.

How far apart can I space the Glazing Bars

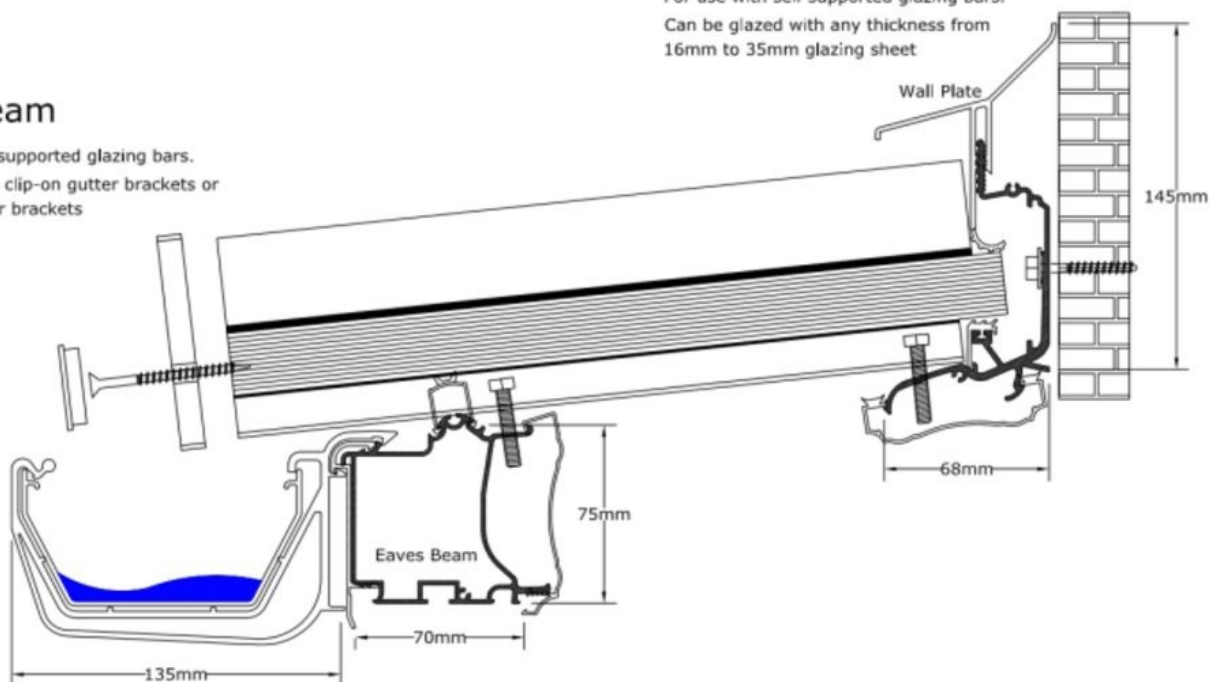
Based on the chart on the right which takes into account a UK snow load of 60kg/m², the maximum bar spacing with polycarbonate (red line) is 500mm at a bar length of 4000mm



Wall plate & Eaves Beam Detail

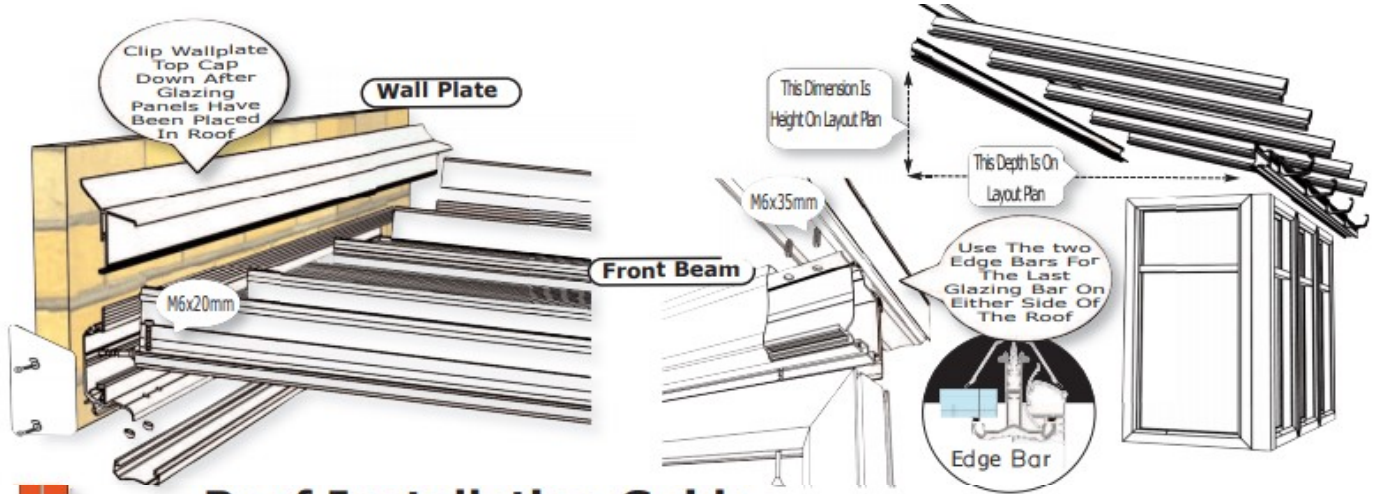
Eaves Beam

For use with self supported glazing bars.
Can be used with clip-on gutter brackets or screw fixed gutter brackets

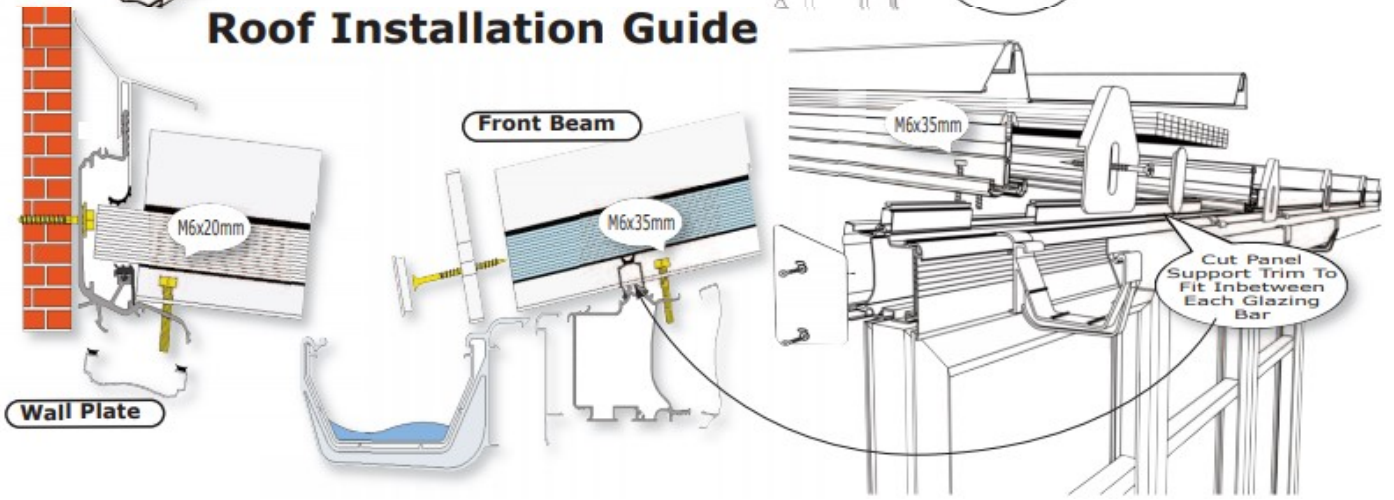


Wall plate

For use with self supported glazing bars.
Can be glazed with any thickness from 16mm to 35mm glazing sheet



Roof Installation Guide



**Please note that the fixing bolts shown are not included with the glazing bars