



OWNERS MANUAL

FREE STANDING

WINE FRIDGE
GC320LV SERIES

GRAND CRU®



@GrandCruWineFridges

www.grandcruwinefridges.com.au



NEED HELP? CALL
1300 935 683



CONTENTS

IMPORTANT SAFETY INFORMATION	4
WINE FRIDGE STRUCTURE	6
INSTALLATION & OPERATION	7
WINE FRIDGE INSTALLATION	7
TEMPERATURE SETTING	7
DISPLAY PLATE FUNCTIONS	7
INSTALLING FIXED AND SLIDING SHELVES	8
LOADING THE FRIDGE	9
HANDLE INSTALLATION	9
CARE & MAINTENANCE	10
MAINTENANCE BASICS	10
CLEANING THE FRIDGE	10
POWER FAILURE	10
MOVING THE WINE FRIDGE	10
ENERGY SAVING TIPS	10
TROUBLESHOOTING	11
WARRANTY, SERVICE AND SUPPORT	13
STORING AND STACKING	14
DIFFERENT SHAPES & SIZES	14
STACKING FOR AGEING	14
STACKING FOR ACCESSIBILITY	14
FREQUENTLY ASKED QUESTIONS	15
WINE STORAGE GUIDE	19
WINE TEMPERATURE SERVING GUIDE	21

IMPORTANT SAFETY INFORMATION

FREE STANDING SERIES

WINE FRIDGE GC320LV SERIES



This manual contains important information including safety and installation instructions of the appliances. Please read it carefully before use and follow all safety information & instructions. It is recommended to keep this manual for easy reference so that you can be familiar with the operation of the appliance.

IMPORTANT SAFEGUARDS

Before using the appliance, please properly position and install it as described in this manual. To avoid the risk of fire, electrical shock, or injury when using the appliance, follow these basic precautions:

FOR YOUR SAFETY

- The appliance is intended to be used exclusively for the storage of wine.
- Make sure the voltage/current marked on the rating label corresponds with your supply voltage. Plug into a 3-pin outlet and avoid the use of an adaptor or extension lead if possible.
- It is recommended that a separate circuit, serving only your appliance be provided.
- Never clean the appliance parts with flammable fluids which may create a fire hazard or explosion.
- Do not store or use gasoline or other flammable vapours and liquids in the vicinity of the appliance.
- Do not connect or disconnect the electric plug when your hands are wet.
- Unplug the appliance or disconnect power before cleaning, maintenance

or servicing. Failure to do so can result in electrical shock.

- Do not attempt to repair or replace any part of the appliance. All servicing should be referred to a qualified Grand Cru technician.
- It is recommended that 2 people move the appliance to avoid any damage to the appliance or personal injury.
- To ensure proper ventilation for the appliance, the front of the unit must be completely unobstructed. Locate the unit away from direct sunlight and sources of heat (stove, heater, radiator, etc.).
- It is important for the appliance to be leveled in order to work properly. You may adjust the appliance's feet to level it.
- This appliance intended for use by persons with sufficient experience and knowledge of electrical appliances.
- Any other persons (including children) should be supervised or given instruction concerning use of the appliance by a person responsible for their safety.
- Children should be supervised to ensure that they do not play with the appliance.
- Do not use solvent-based cleaning agents of abrasives on the interior. These cleaners may damage or discolor the interior.

- Do not use this appliance for other than its intended purpose.
- The use of a attachments is not recommended by the manufacturer and may be hazardous.
- When you dispose of the appliance, take off the door and leave the shelves in place so that children may not easily climb inside. Make sure the coolant circuit, particularly the heat exchanger at the back/bottom of the unit is not damaged.
- The symbol on the product or its packaging indicates that this product is not to be handled as normal household waste and it is to be taken to a recycling collection point for electrical and electronic goods.



Warning: Do not damage the refrigerant circuit.



Warning: Keep ventilation openings, in the appliance enclosure or in the built-in structure, clear of obstruction.



Warning: Do not use electrical appliances inside the food storage compartments of the appliance, unless they are of the type recommended by the manufacturer.



Warning: Do not use mechanical devices or other means to accelerate the defrosting process, other than those recommended by the manufacturer.


POWER SUPPLY CONNECTION

**Nominal voltage/Frequency:
220V-240V/50Hz**

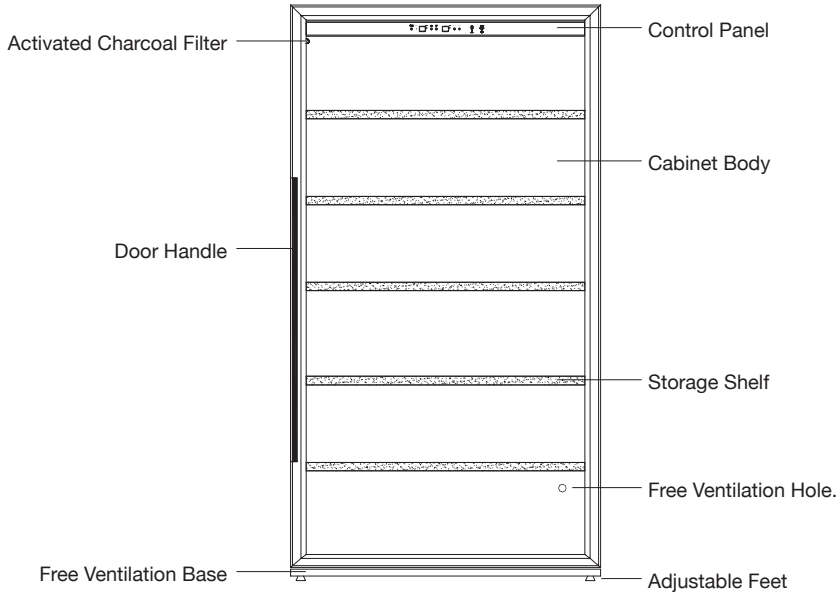
Standard socket with earth connection

- If the power cord is damaged, or the plug does not match the socket, and the socket is not equipped with an earth connection, etc, you must have it checked or replaced by a qualified electrician to prevent any risks.
- If the supply cord is damaged, it must be replaced by the manufacturer, its service agent or similarly qualified persons in order to avoid a hazard.

DISPOSAL INSTRUCTIONS

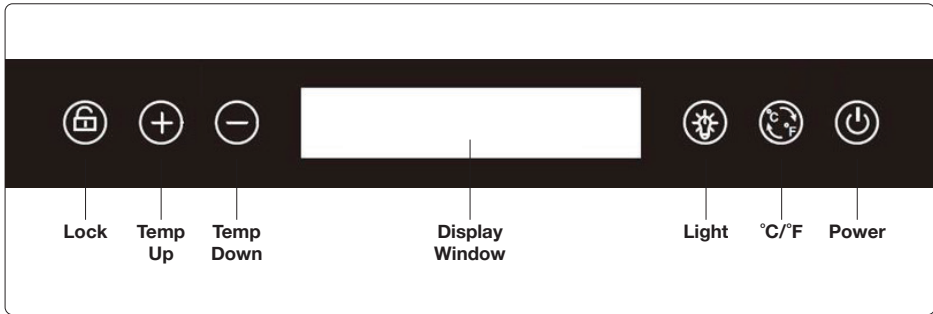
- Do not dispose of electrical appliances as unsorted municipal waste, use separate collection facilities.
- Contact your local government for information regarding the collection systems available.
- If electrical appliances are disposed of in landfills or dumps, hazardous substances can leak into the groundwater and get into the food chain, damaging your health and well-being. When replacing old appliances with new ones, the retailer is legally obligated to take back your old appliance for disposal at least for free of charge .

WINE FRIDGE STRUCTURE



Model	GC320LV
Climate Type	ST
Electricity Protection Grade	I
Volume (L)	760
Refrigerant (g)	52
Foam Material	C-pentane
Nominal Voltage (V)	220V-240V
Voltage frequency (Hz)	50Hz
Nominal current (A)	1.25A
Rated Input Power (W)	220W
Power Consumption (kw.h/24h)	1.57
Noise (dB)	40
GW (Kg)	156
NW (Kg)	147
Body Size (mm)	800x690x2015

INSTALLATION & OPERATION



WINE FRIDGE INSTALLATION

- When you receive the cabinet, make sure when you unpack it there is no flaws in its external appearance (from shocks, deformation, etc.)
- Open the door and check all interior fittings and supplied items if are all complete (shelves, instruction, control panel, etc.) Please install it according to the following points if the shelves or shelf brackets fall off during transit.
- Carry your wine cabinet to the final place to see if there is no problem with it after checking. Observe the following when placed:
 - Ensure that there is a minimum of 5cm between your wine cabinet and the left and right wall; leaving a space of at least 8cm between the back cabinet and the wall.
 - Position the wine cabinet on a flat level surface, if not, adjust the feet of wine cabinet to keep level.
 - Keep away from sources of heat and high humidity areas (laundry room and bathroom, etc).
 - Do not tilt it at an angle of more than 45° when move the cabinet.
 - Allow a minimum 10-minute interval between transit and re-starting.

- Make sure the ventilation is free if you wish to install your cabinet into a worktable, otherwise, it will reduce the effect of usage.

TEMPERATURE SETTING

- The left side temperature readout indicates set temperature while the right side temperature readout indicates actual current temperature.
- Temperatures may fluctuate depending on whether the interior light is ON or OFF and depending on the position of the bottles.
- Set the desired temperature by pushing the UP or DOWN button.
- Temperature sincrease or decrease 1°F with each push of the UP or DOWN button.

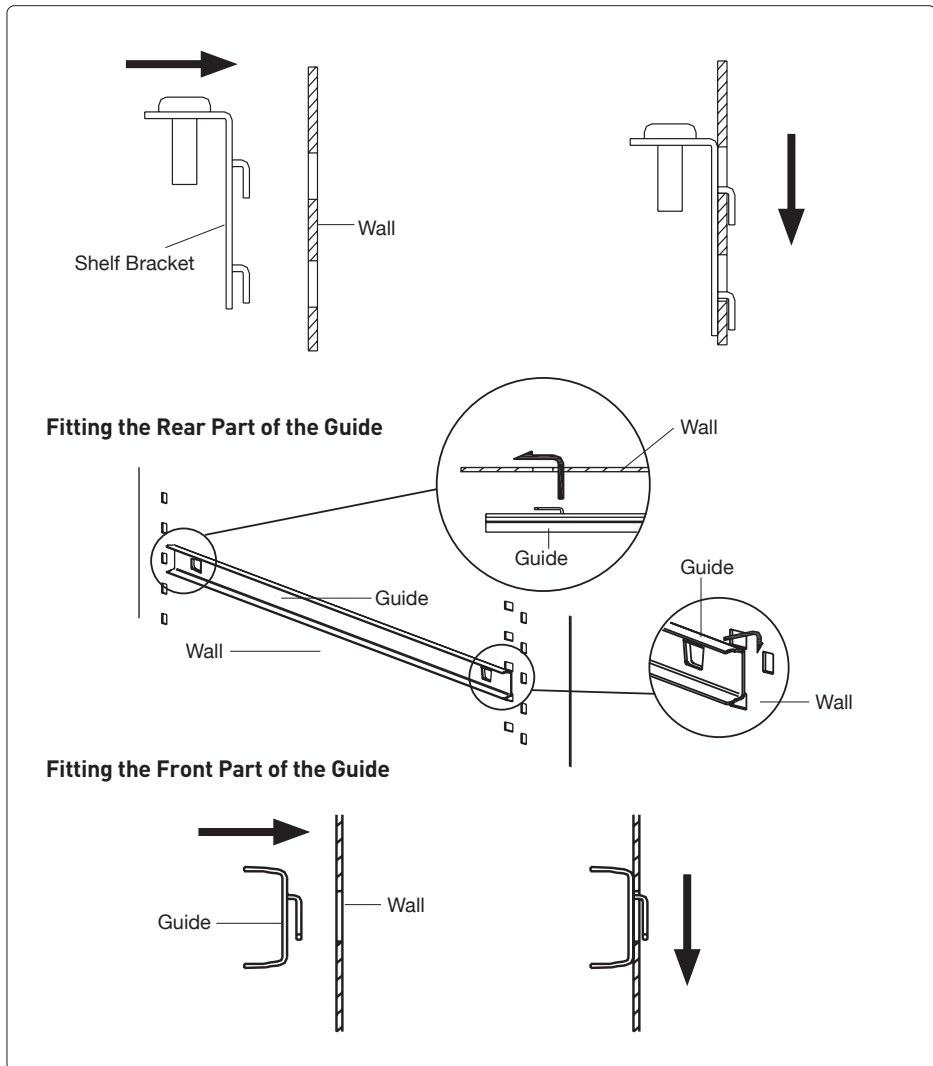
DISPLAY PLATAE FUNCTIONS

- **Power:** Switches the System ON and OFF
- **Light:** Turns the Interior Light ON and OFF
- **°C/°F:** Switches the Temperature between Fahrenheit or Celsius
- **Display Window:** Displays Set (Left) and Actual (Right) Temperatures
- **Temp Up:** Increases Temperature
- **Temp Down:** Decreases Temperature

INSTALLING FIXED AND SLIDING SHELVES

Read the following carefully if changing the position of shelf.

- To move a sliding shelf, first remove all bottles, and then remove the sliding shelf by sliding guides from walls, while making sure not to mix up the right and left guides

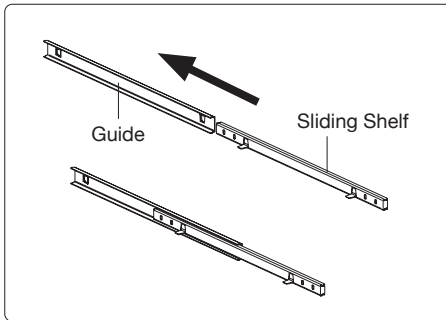


DO NOT TURN ON FOR AT LEAST 24 HOURS AFTER DELIVERY



Let the appliance stand upright for approximately 24 hours before connecting it to the power source, which helps to reduce the possibility of a cooling-system malfunction from handling during transportation.

Then refit the sliding shelf as shown below:



LOADING THE FRIDGE

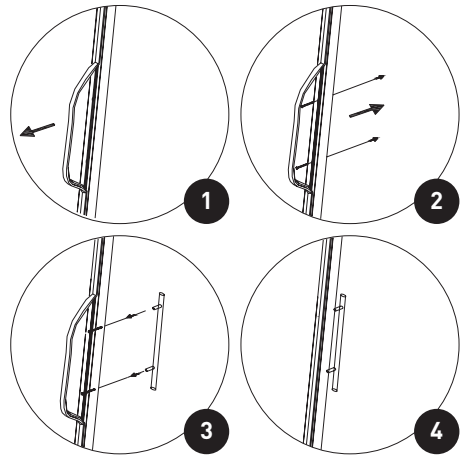
The Grand Cru GC320 cabinet was designed to store a maximum number of bottles in total security, we recommend that you observe the tips below to ensure optimize loading.

- Spread your bottles out as evenly as possible over the shelves, so that weight is not concentrated in one point; also make sure your bottles do not touch the back of the cabinet, or the step at bottom.
- Also make sure that bottles are not all grouped together at the top or bottom of the cabinet.
- Observe the loading instructions provided in according to the type of storage fixtures with which your cabinet is equipped, and never stack bottles on a sliding shelf.

HANDLE INSTALLATION

If you want to install the handle according to your actual demands, do as the following steps:

1. Unhinge the door seal in the place of installing the handle
2. Cased the screws in the appointed place
3. Fasten the door handle in the door by screwdriver
4. Refit the door seal to the relevant position



CARE & MAINTENANCE

MAINTENANCE BASICS

Your cabinet is easy to operate and has proven its reliability; it will provide long-lasting satisfaction if you follow the simple maintenance and cleaning operations listed below:

- Remove dust from the condenser (metal screen on the back of the cabinet) twice a year.
- Make sure the power cord is unplugged before cleaning the back of your cabinet, or before moving it.
- Clean the inside of your cabinet thoroughly once a year, after unplugging and unloading it (uses water and a mild cleaning item, then rinse carefully).

CLEANING THE WINE FRIDGE

- Turn off the power, unplug the appliance, and remove all items including shelves.
- Wipe the inside surfaces with a sponge and baking soda solution. The solution should be about 2 tablespoons of baking soda to 1 litre of warm water.
- Wash the shelves with a mild detergent solution. Allow the wooden shelves to dry before placing them back into the wine fridge.
- Remove excess water from the sponge or cloth when cleaning the controls, or any other electrical display areas.
- Wipe the outside cabinet with warm water and a mild liquid detergent. Wipe dry with a clean soft cloth.
- Do not use steel wool or steel brush on the stainless steel. These will contaminate the stainless steel with steel particles and rusting may occur.

POWER FAILURE

Most power failures are corrected within a few hours and should not affect the temperature of your appliance if you minimize the number of times the door is opened. If the power is going to be off for a longer period of time, you need to take the proper steps to protect your wine.

MOVING THE WINE FRIDGE

- Remove all items.
- Securely tape down all loose items (shelves) inside your appliance.
- Turn the adjustable legs up to the base to avoid damage.
- Tape the door shut.
- Ensure the appliance stays secure in the upright position during transportation. Also protect the outside of appliance with a blanket, or similar item.

ENERGY SAVING TIPS

- The appliance should be located away from heat producing appliances, and away from direct sunlight.
- Ensure that the unit is adequately ventilated. Never cover the air vents.
- Only open the door when necessary. Avoid leaving the door open for long periods or opening/closing the door frequently.



To assure that your wine fridge provides long-lasting reliable performance, you should check it regularly and inform your dealer if anything unusual is found.

TROUBLESHOOTING

If you feel the appliance is out of order, follow these instructions to try to see if you can solve the problem simply by yourself before calling for service.

Problem	Problem Possible Cause / Measure
The wine fridge does not operate	<ul style="list-style-type: none"> • Not plugged in. • The appliance is turned off. • The circuit breaker tripped or a blown fuse.
The wine fridge is not cold enough	<ul style="list-style-type: none"> • Check the temperature control setting. • External environment may require a higher setting. • The door is opened too frequently. • The door is not closed completely. • The door gasket does not seal properly.
Automatically turn-on and turn-off frequently	<ul style="list-style-type: none"> • The room temperature is hotter than normal. • A large amount of contents has been added to the wine fridge. • The door is opened too frequently. • The door is not closed completely. • The temperature control is not set correctly. • The door gasket does not seal properly.
The lighting does not work	<ul style="list-style-type: none"> • Not plugged in. • The circuit breaker tripped or a blown fuse. • The lighting is turned off.
Too much vibration	<ul style="list-style-type: none"> • Check to assure that the appliance is level. • Check to assure no parts inside the cabinet or in the compressor chamber are loose.
The wine fridge seems to make too much noise	<ul style="list-style-type: none"> • The rattling noise may come from the flow of the refrigerant, which is normal. • As each cycle ends, you may hear gurgling sounds caused by the flow of refrigerant. • Contraction and expansion of the inside walls may cause popping and crackling noises. • The appliance is not level.
The door will not close properly.	<ul style="list-style-type: none"> • The wine fridge is not level. • The door was reversed and not properly installed. • The gasket is dirty. • The shelves are out of position.

<p>Compressor does not start even though the desired temperature is lower than the temperature in the room.</p>	<ul style="list-style-type: none"> • Check the wall socket by plugging in any type of electrical device, and make sure that the on/off switch is in the "I" position. • If the compressor still does not start after taking steps 2 and 3, contact your dealer.
<p>Dew on the fridge surface</p>	<ul style="list-style-type: none"> • The surface of wine fridge especially the glass door will appear some frost if the cabinet is installed in a damp room. • This is due to the moisture in the air coming into contact with the cabinet. • Please wipe it away with dry cloth.
<p>Liquid sounds</p>	<ul style="list-style-type: none"> • The sound of compressor when starts or stops working • The flowing sound of refrigerant in the refrigeration system • The evaporating sound of refrigerant in the evaporator <p>It's a normal phenomenon if appears upward sound.</p>
<p>Condensation inside the cabinet</p>	<p>If you are in the environment with high level of humidity or if the door of wine cabinet has been left open for a long period or opened frequently, wipe off the door and walls and leave the door closed as long as possible.</p>

WARRANTY, SERVICE AND SUPPORT

Thank you for purchasing a Grand Cru Wine Fridge from Home Icon International Pty Ltd. Home Icon provides a 5-year warranty on the Grand Cru range of Wine Fridges.

WARRANTY REGISTRATION

Register your wine fridge now for warranty, and allow us to provide you with the best possible after sales service:

1. Please log on to our website at www.grandcruwinefridges.com.au
2. Click on the **'Support'** tab across the top
3. Select **'Warranty Registration'** and fill out the details as required

This warranty does not cover the following:

- Any damages caused from improper use or not used in accordance with the instruction manuals.
- Damage caused by connecting your product to the wrong power source/supply.
- Incorrect installation or modifications made during installation or use of the product.
- Removing screws or otherwise opening the outer case will void the warranty.
- Any damages resulting from poor handling or moving of the product, misuse, fire or water damage etc.
- Failure to maintain the product as per the Instruction Manual.
- Problems caused by incorrect or inadequate venting of the product.

SERVICE AND SUPPORT

Should an instance arrive where you require assistance, contact our support team:

1. Please log on to our website at www.grandcruwinefridges.com.au
2. Click on the **'Support'** tab across the top
3. Select the **'Request a Service'** option and fill out the details as required



NEED HELP? CALL

1300 935 683

STORING AND STACKING

DIFFERENT SHAPES AND SIZES

This brochure makes reference to the 'standard Bordeaux style bottle' when specifying capacity. However, wine producers use a huge range of different bottle shapes and sizes. Bottle shape variety should be considered when selecting the appropriate Grand Cru cabinet in which to house your precious collection, since shelf height and adjustability varies across the product range. Please also be aware that some bottles will not fit opposite each other on the same shelf and this may affect capacity. You may need to lay the bottles opposite more suitably shaped bottles. Ideally, bottles should lie with their necks comfortably interlocking.

STACKING FOR AGEING

When filling your cabinet, we suggest stacking the bottles you wish to cellar and mature at the back of the shelves, and the wines you wish to consume in the shortterm at the front.

STACKING FOR ACCESSIBILITY

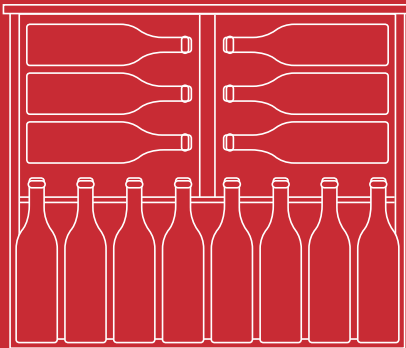
When stacking bottles, it is practical to keep bottles from the same case together. See diagrams below, in which bottles from the same case are represented by the same colours. Vertically stacking same-case bottles enables safe and easy access to all your different wines.

STACKING FOR STORING & SERVING

Maximum shelf capacity: 25 bottles per shelf

Maximum shelf weight: 40kg

*Maintain a minimum 20mm between bottle and back plate



FREQUENTLY ASKED QUESTIONS



CHOOSING THE RIGHT WINE FRIDGE

To keep my wines ready to serve at the perfect drinking temperatures?

Choose any Dual-Zone Grand Cru wine fridge, and keep in mind that most whites are generally best served at 6-8 deg C, and most reds at 16-18 deg C. With a Dual-Zone cabinet, you can fine-tune the serving temperatures of different styles of wine: You can set the temperature to suit your needs.

To store my wines in the ideal cellaring conditions so they can mature?

Choose any Grand Cru Wine fridge, and make sure you set it at 12-14 deg C as this is the proper temperature for cellaring and medium/long term storage for all wines: reds, whites, roses and champagne.

To cellar only white wines or only red wines?

All wines cellar at the same temperature (12-14 deg C), so any Single-Zone fridge set between 12-14 deg C is ideal for white wine and/or red wine storage. When set

within this temperature range, Single-Zone fridges will also keep humidity levels above 55% (which is important to maintain the integrity of the cork). Having said that, any dual zone can also be kept at the same temperature and humidity levels throughout the whole unit.

To cellar both red and white wines?

All wines — Whites, Reds, Champagnes — cellar at the same temperature (12-14 deg C), so any Grand Cru fridge set between 12-14 deg C is ideal for white wine and/or red wine storage. Set within this temperature range, Grand Cru wine fridges will also keep humidity levels above 55% (which is important to maintain the integrity of the cork).

My wine is purely for investment: which wine fridge will suit me best?

For (investment) wine to appreciate in value, the discerning purchaser will want a wine fridge that is designed for cellaring at the perfect temperature so any of the Grand Cru units will suit that purpose – it just becomes more of a question of the size of unit needed.

WINE TEMPERATURE

At what temperature should I be cellaring my wines?

The recommended cellaring temperature is between 12 and 14 degrees Celsius. Whichever temperature you choose, the key is to remember that the temperature must be constant.

What should the humidity levels be in my wine cabinet?

The humidity in a wine cabinet should be over 55% so that corks don't dry out and shrink: humidity levels below 55% can lead to your wines spoiling because of oxidation. All Grand Cru wine fridges are designed to maintain humidity levels above 55% (when set at 12-14 deg C).

Do I need humidity control when cellaring my wines?

YES, humidity is essential to ensure that the corks do not dry out. If that happens, they shrink and air can get into the wine. If air gets into the wine it will cause oxidation, generating an odorous smell.

How long can I keep my wines in a Dual -Zone wine fridge?

As long as the temperature is correct, there is no limit to how long your wine can be stored in there.

Can I use my wine fridge for beer and food?

No, wine fridges are not normal fridges. The temperature does not go low enough to keep food fresh and are not cold enough for the serving of beer. The Grand Cru GC46BC Beverage Centre is designed for beers (or white wines at drinking temperature), as they can cool beverages down to 2 deg C, and have metallic racks on which to stand beer bottles up. However, they are not suitable for food storage.

I have a Dual-Zone wine cabinet. Can I use one compartment for the serving of my white wines and the bottom compartment for cellaring my wines?

YES. Just set the top compartment temperature to between 6*-8* and the bottom section to a temperature range of 12*-14*.

TECHNICAL & INSTALLATION

What is the difference between Dual-Zone cabinets and Single-Zone wine cabinets?

Dual -Zone wine fridges are designed for keeping and serving red and white wines at the perfect drinking temperatures. Single-Zone wine cabinets are designed for cellaring all wines (reds, whites or sparkling) at the proper temperature (12-14 deg C).

Does my cabinet require ventilation and can it be built-in under bench?

Some of the Grand Cru range are not suitable for built -in installation, so please consider this before purchasing. The following Grand Cru wine fridges are suitable for built in installation: GC46, GC100, GC166, GC183 & GC194.

TROUBLE SHOOTING

My unit is making a lot of noise

If your wine fridge sounds noisy, it may be: 1) due to incorrect stacking of bottles and/ or the fridge is not completely level, so please empty the unit, check the levelling and then reload, 2) because ventilation requirements have not been considered, and so the unit is over-heating —refer to the manual or call Grand Cru for further help.

There is water coming out of the back of my cabinet.

The door has been left open to some degree. Please wipe out the unit and ensure the door is shut.

There is water on the inside back wall of my cabinet

This is a perfectly normal occurrence and needed to maintain the correct humidity in the wine fridge. Just keep your bottles away from the wall so you do not block the water flow, an essential part of the cellaring climate.

My bottles are wet

If they are in contact with the back wall of the cabinet, they will have some condensation on them so please make sure you keep a finger's distance between the bottom of the bottle and the wall when you load. If not, please keep in mind that it is normal that condensation appears on the bottles after you open the door, and that high humidity is essential in cellaring your wine properly.

There is a +/- 2 deg temperature swing on the digital readout

Yes, this is normal. It is the variance in the air temperature that triggers the thermostat and the compressor. The small temperature fluctuations occur in the air around the bottles, not in the wine itself.

There is condensation on the outer surface of the glass door of my wine cabinet

This indicates excessive humidity in the environment.

What happens if there is a power outage?

The units are very well insulated and can maintain the temperature for hours before there is any change in the temperature itself. We don't advise opening the doors during the outage. Once the power is restored, electronically-controlled cabinets can revert to factory settings, so reset as necessary.

SHIPPING & DELIVERY

What happens if my home/property is damaged?

While this scenario is extremely rare, it can occur. If anything at your home/property is damaged by the carrier, contact Customer Support immediately! We will make the initial arraignments with the carrier to get compensation to you in a quick and timely fashion. As always, notate the BOL of what was damaged before you sign!

Note: Grand Cru cannot give direct compensation for damages that occur to your home/property before and/or after the fact. These actions have to be negotiated through you and the carrier, but as our customer we will give you all the necessary information and assistance needed to make sure you have a timely and satisfactory resolution to the matter.

I signed for my wine cellar as delivered for in satisfactory condition, but I discovered damage later on. What do I do?

If this occurs, please contact Customer Support immediately! There is a window of 48 hours where you would still be entitled to a replacement and/or compensation. After the window lapses, we cannot provide a replacement or compensation as the wine cellar is officially signed off "AS IS"

I am receiving or I have received delivery and certain services are not being rendered or were not rendered. What do I do?

Contact Customer Support so we can look into the matter directly with the carrier. We may be able to have the services rendered and/or provide compensation for the inconvenience. Note: Make sure you are informed of what services that are and are not included in your delivery. Refer to this information packet or you can discuss this at the time of purchase with your Home Icon Customer Representative before delivery.

Does the carrier install/assemble any components (such as shelving) at the time of delivery?

No. We cannot nor do we authorise the carrier to install shelving or assemble any part of the wine fridge. This is always the responsibility of the client regardless of what services are being rendered. If you require a white glove unpacking service, please contact Customer Support to find out more as this feature incurs a fee.

We hope that this has been informative and insightful information that will help you not only on your purchase, but as well as the delivery process. Should you have any further questions in regards to this information and/or should you have questions that are not included in this information packet please do not hesitate to contact us.

Customer Support: 1300 935 683

Email: info@homeicon.com.au



NEED HELP? CALL

1300 935 683

WINE STORAGE GUIDE



SOME HELPFUL ADVICE

Have you bought some nice wine that you are planning keep for a special occasion or maybe you wish to start your own wine collection. What are the best tips for successfully storing your wine?

Firstly, it's useful to remember that only a small percentage of fine wines on the market benefit from long-term aging. Most wines are best enjoyed within a few years of release. If you're looking to buy wines to mature, you should really consider investing in a proper wine fridge or an external wine storage solution, but more about that later.

For everyone else, however, following a few simple guidelines should keep your wines safe until you're ready to drink them.

1. KEEP IT COOL

Heat is enemy number one for wine. Temperatures higher than 21°C will age a wine more quickly than is usually desirable. And if it gets too much hotter, your wine may get "cooked," resulting in flat aromas and flavours. The ideal temperature range

is between 7°C and 18°C (and 14°C is often cited as close to perfect), though this isn't an exact science. Don't worry too much if your storage runs a couple degrees warmer, as long as you're opening the bottles within a few years from their release.

2. BUT NOT COLD

Keeping wines in your household refrigerator is fine for a couple months, but it's not a good bet for the longer term. The average fridge temp sits between 3 - 4°C to safely store perishable foods, and the lack of moisture (humidity) could eventually dry out corks, which might allow air to seep into the bottles and damage the wine. Keeping wine in a fridge for a longer time will also slow down the aging process which is not ideal.

3. CONSISTENCY IS THE KEY

More important than worrying about achieving a perfect 12°C is avoiding the landmines of rapid, extreme or frequent temperature variations. Temperature variation is likely to be more critical for older wines where the seal of the cork is less tight (corks lose some elasticity

with age). The problem with temperature variations is that the volume of the wine expands as temperature rises, decreasing the ullage volume, and then contracts as temperature falls, increasing the ullage volume. If the closure is providing a completely airtight seal then this is of relatively little consequence. Aim for consistency, but don't get paranoid about minor temperature fluctuations; wines may see worse in transit from the winery to the store. (Even if heat has caused wine to seep out past the cork, that doesn't always mean the wine is ruined. There's no way to know until you open it—it could still be superb).

4. TURN OFF THE LIGHTS

Light, especially sunlight, can pose a potential problem for long-term storage. The sun's UV rays can degrade and prematurely age wine. One of the reasons why vintners use coloured glass bottles? They're like sunglasses for wine. Light from household bulbs probably won't damage the wine itself, but can fade your labels in the long run.

5. HUMIDITY IS IMPORTANT BUT NOT CRITICAL

Conventional wisdom says that wines should be stored at an ideal humidity level of 70 percent. The theory goes that dry air will dry out the corks, which would let air into the bottle and spoil the wine. Yes, this does happen, but unless you live in a very dry desert or arctic like climate, it probably won't happen to you. Anywhere between 50 percent and 80 percent humidity is considered safe, and placing a tray or saucer of water in your storage area can improve conditions. Conversely, extremely damp conditions can promote mould. This won't affect a properly sealed wine, but can damage the labels. A dehumidifier can fix that.

6. FLAT OR STANDING – STORING OR ON SHOW

Traditionally, bottles have been stored on their sides in order to keep the liquid up against the cork, which theoretically should keep the cork from drying out. If you're planning on drinking these bottles in the near-term, or if the bottles have alternative closures (screw caps or synthetic corks), this is not necessary.

7. LIMIT THE MOVEMENT

There are theories that vibration could damage wine in the long term by speeding up the chemical reactions in the liquid. Some serious collectors worry about even the subtle vibrations caused by electronic and other appliances, though there's little evidence supporting the impacts of this. Significant vibrations could possibly disturb the sediment in older wines and keep them from settling, potentially making them unpleasantly gritty.

WHERE SHOULD I STORE MY WINE?

If you do not have a cool, not-too-damp basement or underground garage that can double as a fridge, you can improvise with some simple wine racks in a safe place. Rule out your kitchen or laundry, where hot temperatures could affect your wines, and look for a location that is generally less effected by climate control systems and not directly in line with sun light pouring in from a window. Perhaps there is a little-used closet or other vacant storage area that could be repurposed for storing wine?

WINE TEMPERATURE SERVING GUIDE



HOW TO SERVE WINE

When it comes to serving your favourite bottle of wine at the correct temperature, ideally it should be just right. Too hot and the wine's alcohol will be emphasized, leaving it flat and flabby. Too cold and the aromas and flavours will be muted and, for reds, the tannins may seem harsh and astringent. The old adage of serving white wines chilled and red wines at room temperature is a useful starting point, although not nearly detailed enough.

The reason we try to serve wine at their correct temperatures is because the temperature can dramatically impact the way a wine smells and tastes. By serving the wine at its ideal temperature, we ensure we will always get the best experience and enjoyment from our favourite bottle.

For those like myself who wish to be even more specific, I have included below some more detailed serving temperature recommendations for Australia's most popular wine varieties.

NON-VINTAGE CHAMPAGNE/SPARKING WINE AND ICE WINE – ICE COLD, 4-6°

I like to put my bubbly in the freezer about an hour before I pop it – but don't forget about it or you'll have an explosion. If you're short on time, you can also place the bottle in an ice bucket for 30 minutes and have similar results. The ice cold temperature will keep the bubbles fine rather than foamy. After you open the bottle and pour the first glasses, you should place the open bottle on ice until the entire bottle is finished.

LIGHTER BODIED WHITE WINE, SWEETER ROSÉ, VINTAGE CHAMPAGNE AND DESSERT – COLD, 6-10°

The best way to get lighter bodied white wine and sweeter rose cold is to place it in the fridge immediately after buying it; however, if you buy the wine already chilled the same day you want to drink it, either leave it in the fridge for several hours, or you can place it in the freezer for about 30 minutes. After you open the bottle and pour the first glasses, you should place the open bottle on ice until the entire bottle is finished.

FULL BODIED WHITE WINE AND DRY ROSÉ – COOL, 10-14°

The best way to get full bodied white wine cool is to place it in the fridge or preferably a wine fridge immediately after buying it. I suggest taking the wine out of the fridge 30 minutes prior to serving and after opening the bottle and pouring everyone their first glass, I prefer not to place it on ice, but instead let the bottle sweat on the table, as the wine's aromas and character changes slightly as the temperature rises.

LIGHTER BODIED RED WINE – COOLED, 12-16°

The most common misconception with lighter bodied red wine is that it is ideal to serve it at room temperature (see below), when in fact serving it cool is the best way to enjoy it. To cool lighter red down to its proper serving temperature, either place it in the fridge an hour before serving or preferably invest in a good quality wine fridge and serve immediately at the right temperature. After opening and either decanting or pouring the first glasses, just as with full bodied white I like leaving the wine out on the table to slowly warm.

FULL BODIED RED WINE – ROOM TEMPERATURE, 16-18°

Depending on the time of year, room temperature in Australia sits somewhere between 20°C and 25°C which is not the ideal serving temperature. Red wine served too warm will lose all its finesse and freshness to an overpowering sensation of alcohol. To cool full bodied red down to its ideal serving temperature, I like to place it in the fridge 20 minutes before serving or preferably invest in a good quality wine fridge and just take it out 15 minutes prior to serving. After opening and either decanting or pouring the first glasses, leave the wine out on the table.

**POCKET GUIDE**

19° - VINTAGE PORT

16° - 18° SHIRAZ, DURIF, CABERNET SAUVIGNON

14° - 16° PINOT NOIR, GSM, SANGIOVESE CABERNET MERLOT, GRENACHE, TAWNY PORT

12° - 14° CHARDONANAY, MERLOT, GAMAY

10° - 12° DRY ROSE, SEMILLON, VIOGNIER, MARSANNE, SAUTERNES

8° - 10° SPARKLING RED, CHENIN BLANC, REISLING, VERDELHO, SEMILLON SAUVIGNON BLANC, VINTAGE CHAMPAGNE

6° - 8° SAUVIGNON BLANC, SWEET ROSE, PINOT GRIGIO, PINOT GRIS, DESSERT WINES

4° - 6° NON-VINTAGE CHAMPAGNE, SPARKLING WHITE, ICE WINES





Your wine deserves an exceptional wine fridge.

GRAND CRU®



@GrandCruWineFridges

www.grandcruwinefridges.com.au



NEED HELP? CALL

1300 935 683