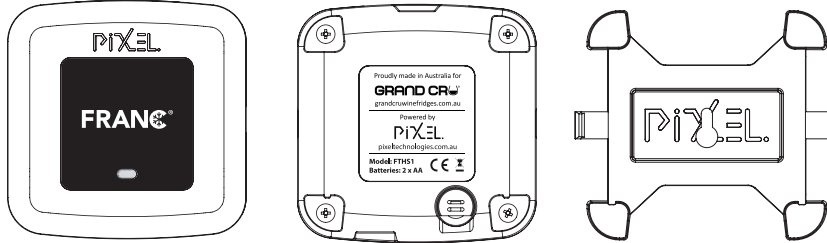
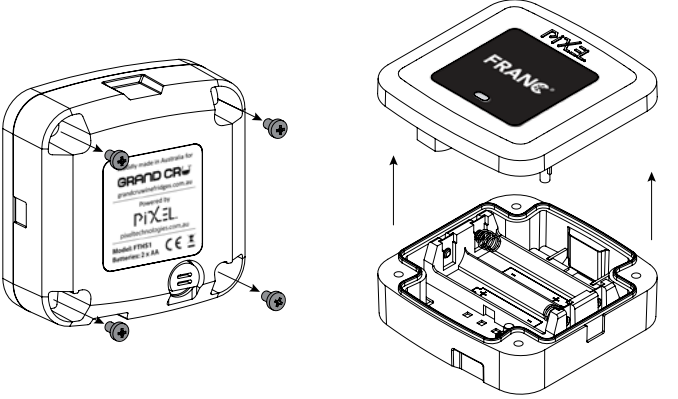


Overview	1
Getting Started	2
Specifications	3
Support	4

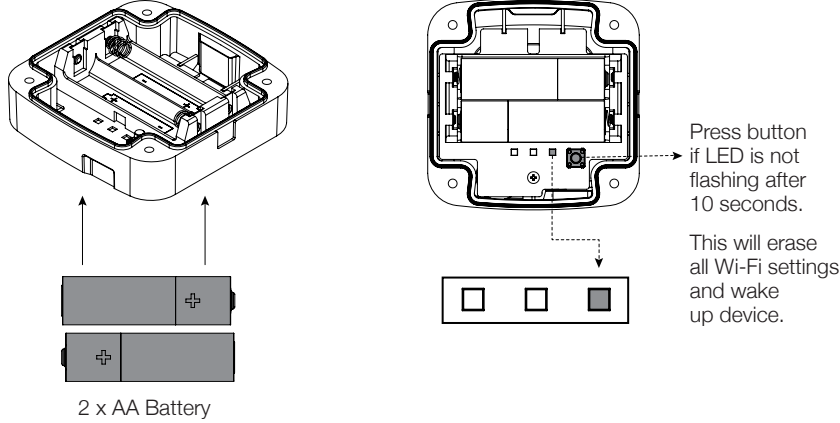
Overview 1

- 1 All pictures and illustrations are not to scale.
  - 2 Device should automatically start once batteries are inserted.
  - 3 Mounting bracket is optional. Recommended to use 1xM3 Self Tapper Pan Head Screw for mounting.
- 

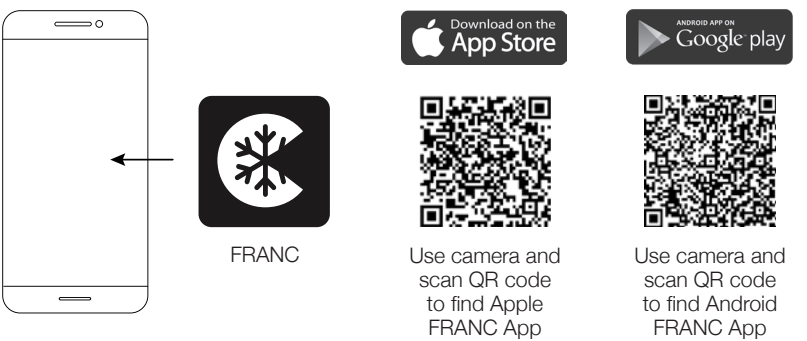
Getting Started 2

- 1 Unscrew & open enclosure
- 

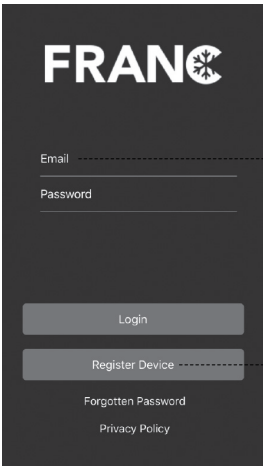
Getting Started 2

- 2 Insert Batteries
  - 3 Check hot spot Wi-Fi activated
- 
- Press button if LED is not flashing after 10 seconds. This will erase all Wi-Fi settings and wake up device.

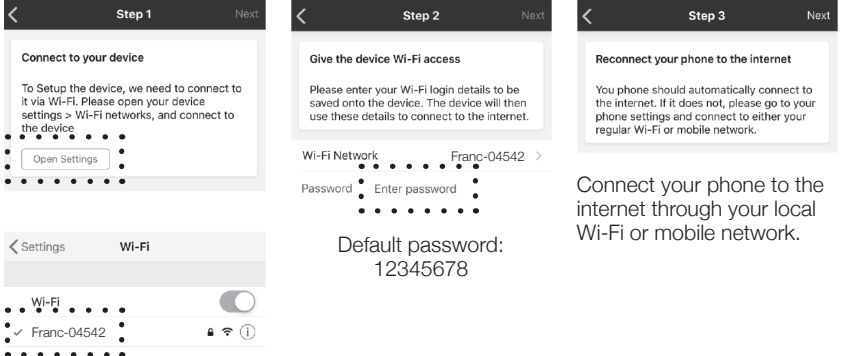
Getting Started 2

- 4 Download the Franc App from the Apple or Android Store.
- 

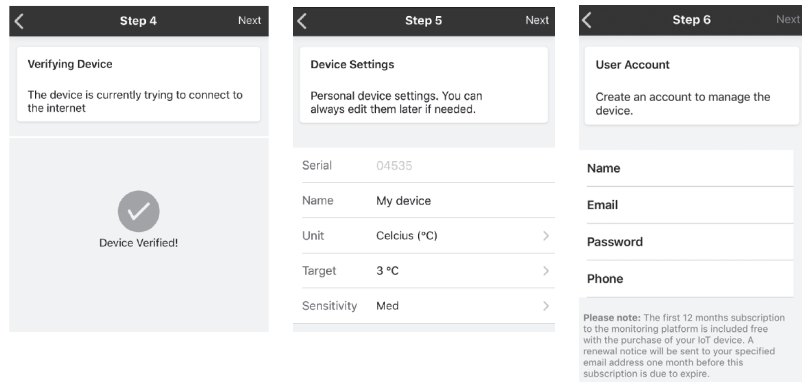
Getting Started 2

- 5 Register device
- 
- If you already have an account, enter your email and password and click login.
- New users will need to register and login.

Getting Started 2

- 6 Device connection
- 
- Connect your phone to the internet through your local Wi-Fi or mobile network.

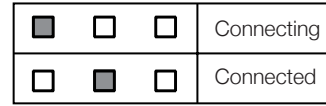
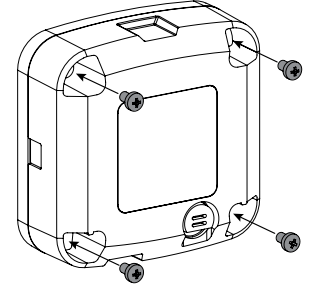
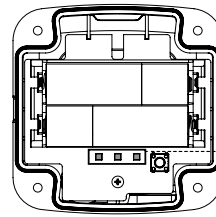
## Getting Started 2



## Getting Started 2

7 Check device

8 Close & screw enclosure

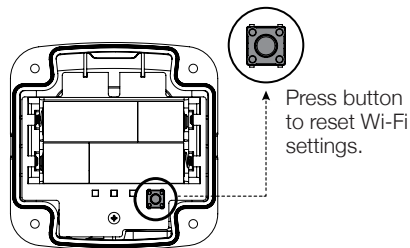
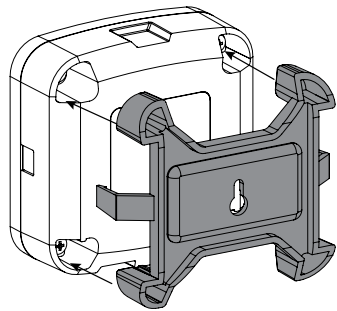


\*LED's will turn off to conserve power.

## Getting Started 2

9 Mounting option

10 Factory reset



## Specifications 3

Model Number	FTHS1
Batteries	2 x AA Energizer Lithium EA91 1.5V (1 year lifetime)
Temperature Accuracy	+/- 0.4° C (max), -10 to 85° C
Humidity Accuracy	+/- 4% RH (max), 0-80% RH
Operating Range	-40° to +60° C, 0-100% RH
Dimensions (mm)	(W)72 x (L)72 x (D)29 (With mounting)
IP Rating	IP67

### Battery Temperature Warning:

Battery lifetime and operating temperature are directly related to the batteries used. Energizer EA91 are rated from -40° to 60°C, however full battery capacity is not achievable at very low temperatures (<-20°C). Refer to battery manufacturers data sheet for full information.

**Battery Lifetime:** Expected lifetime is calculated based on 30 second temperature samples, reported to the cloud each hour.

Proudly manufactured in Australia.

## Support 4

### GRAND CRU®

Address:  
Home Icon International Pty Ltd  
15 Corporate Ave  
Rowville VIC 3178

Email:  
info@homeicon.com.au

Phone:  
03 9092 8566