

High Temperature (HT) Sensors

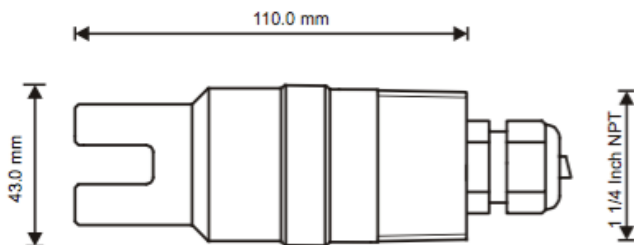
Get better control of your suspended solids, control your losses, control product change, control concentration, control dosing - accurately and repeatedly.

- Available in both Immersion and Hygiene designs with Triclover fittings.
- HT sensors cover similar ranges to the equivalent S Series Sensors and are used in similar applications
- All bodies are manufactured from PVDF.
- Max working temp 105 °C

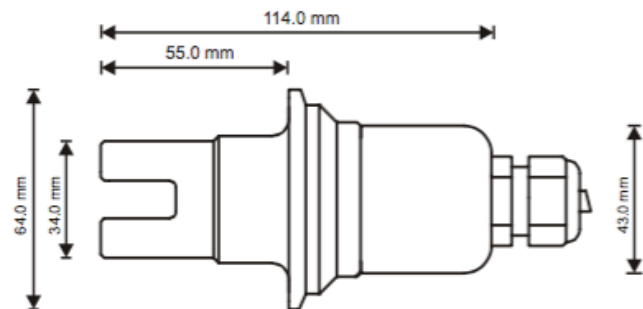


Sensor Dimensions

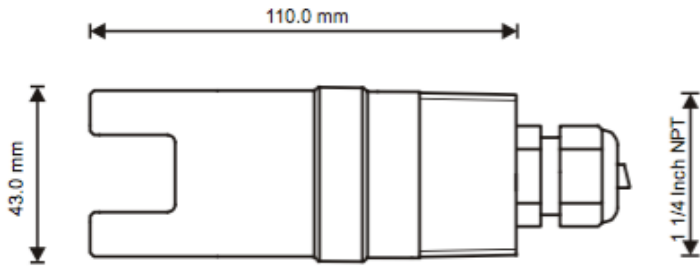
S10 HT Immersion Sensor



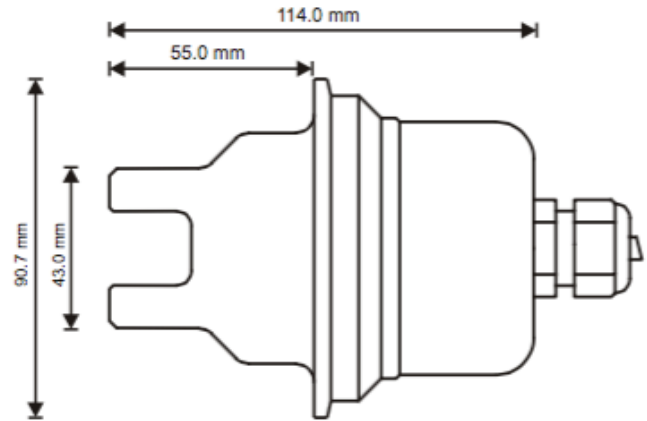
S10 HT Hygienic Sensor



S20 HT Immersion Sensor



S20 HT Hygienic Sensor



S40 HT Immersion Sensor

