

Size	Total Fill Level (L)	Safe Fill Level (L) 95%	Length (mm)	Width (mm)	Height (mm)
CUBE4500	4500L	4100L	3002	2046	1221

07					
06					
05					
04					
03					
02					
01					
REV:	DATE:	REVISION:	DRAWN:	CHECKED:	APPROVED:

Note:
 > Designed and approved to AS1940 / AS1692 / AS1657
 > All welding to AS1554.1



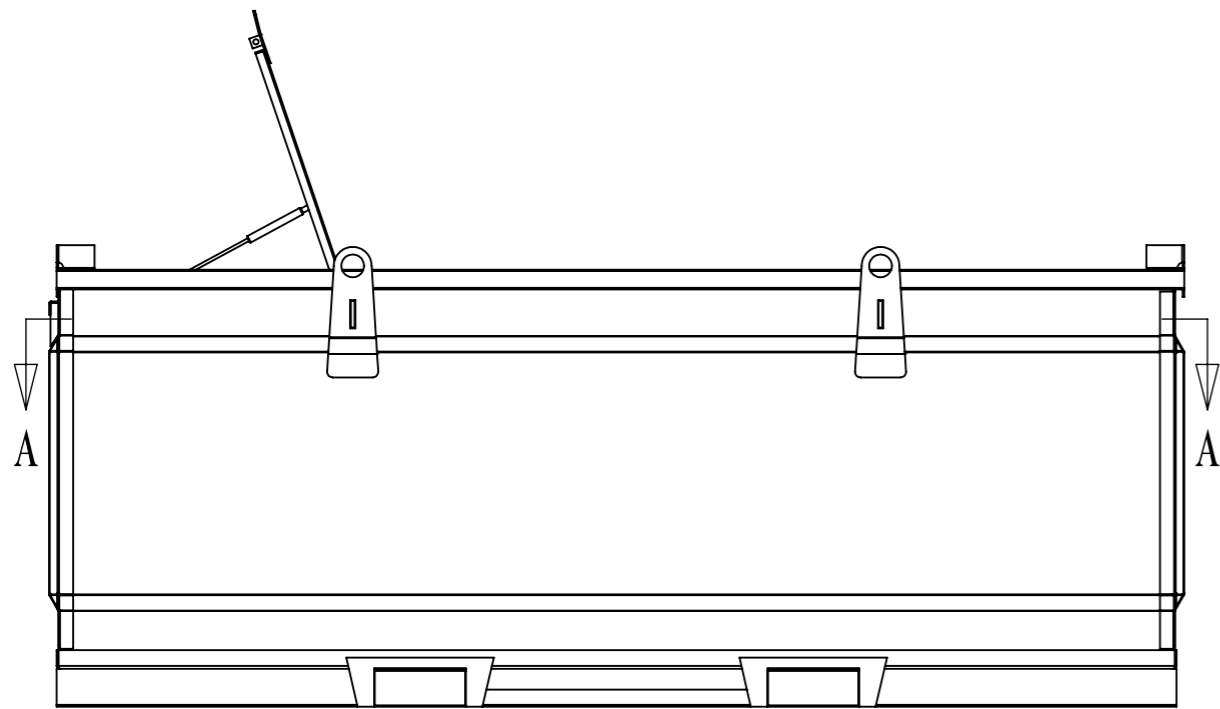
Material:
 Weight: 1734.96KG

DRAWN: DATE: 2016/7/8
 CHECKED: DATE:
 CLIENT: DATE:
 APPROVED: DATE:

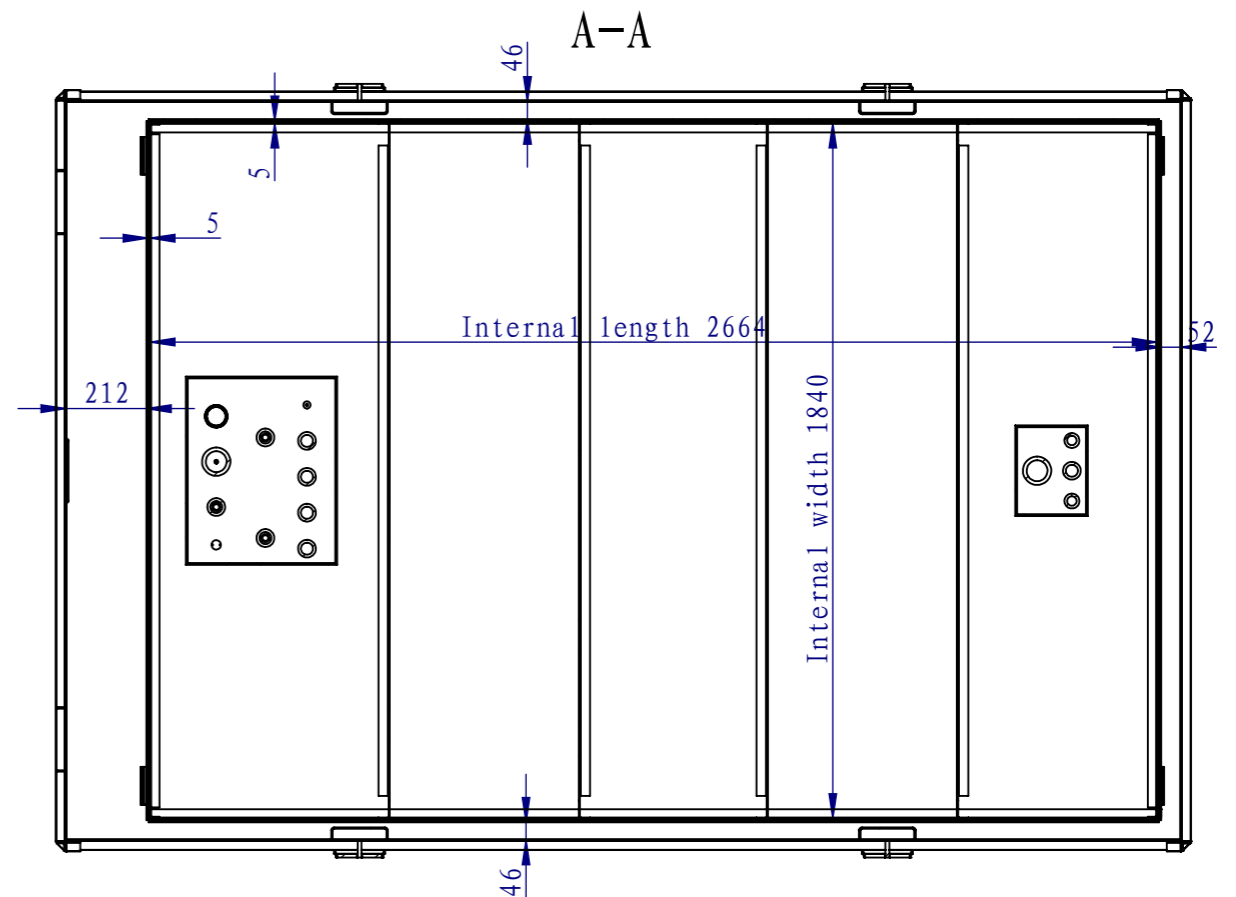
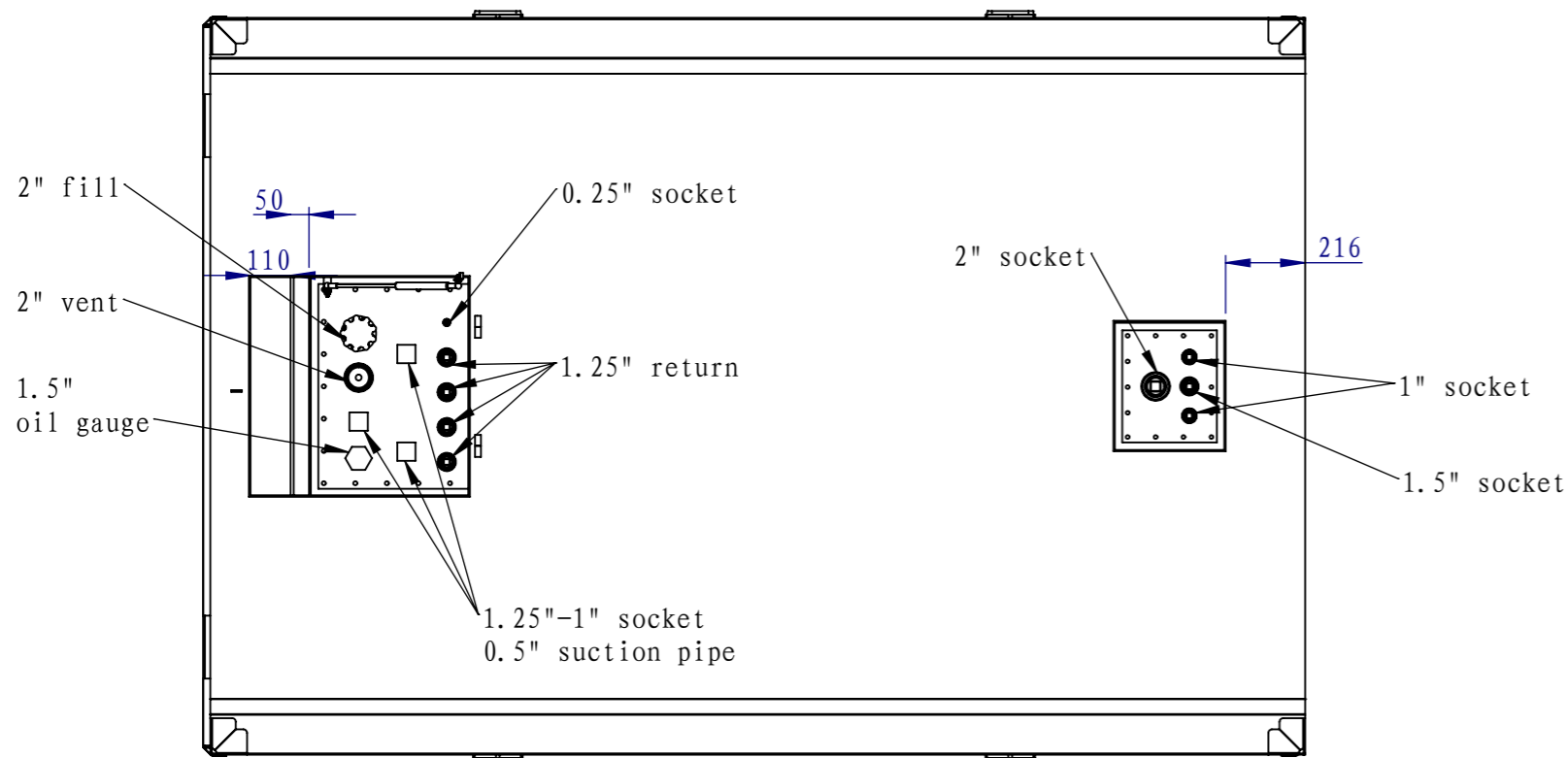
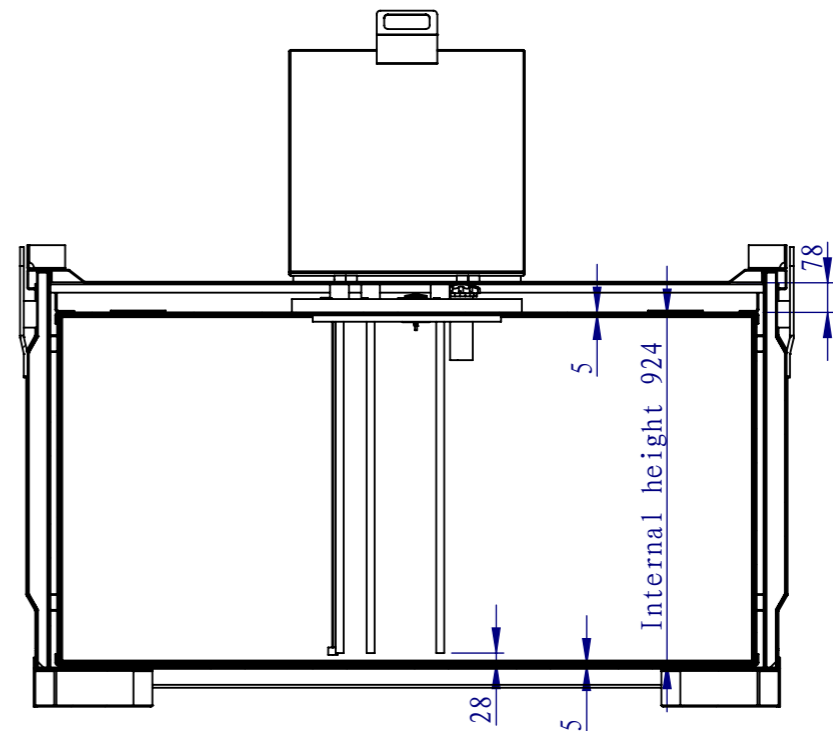
TITLE: **iFUEL 4500L SELF BUNDED BAFFLED CUBE**
 DRAWING NO. :
 PURCHASE ORDER NO. :
 REV: 01
 SHEET: 1 of 3
 Scale: No scale

A3





B ←



07					
06					
05					
04					
03					
02					
01					
REV:	DATE:	REVISION:	DRAWN:	CHECKED:	APPROVED:

Note:
1. All thread is BSP ;



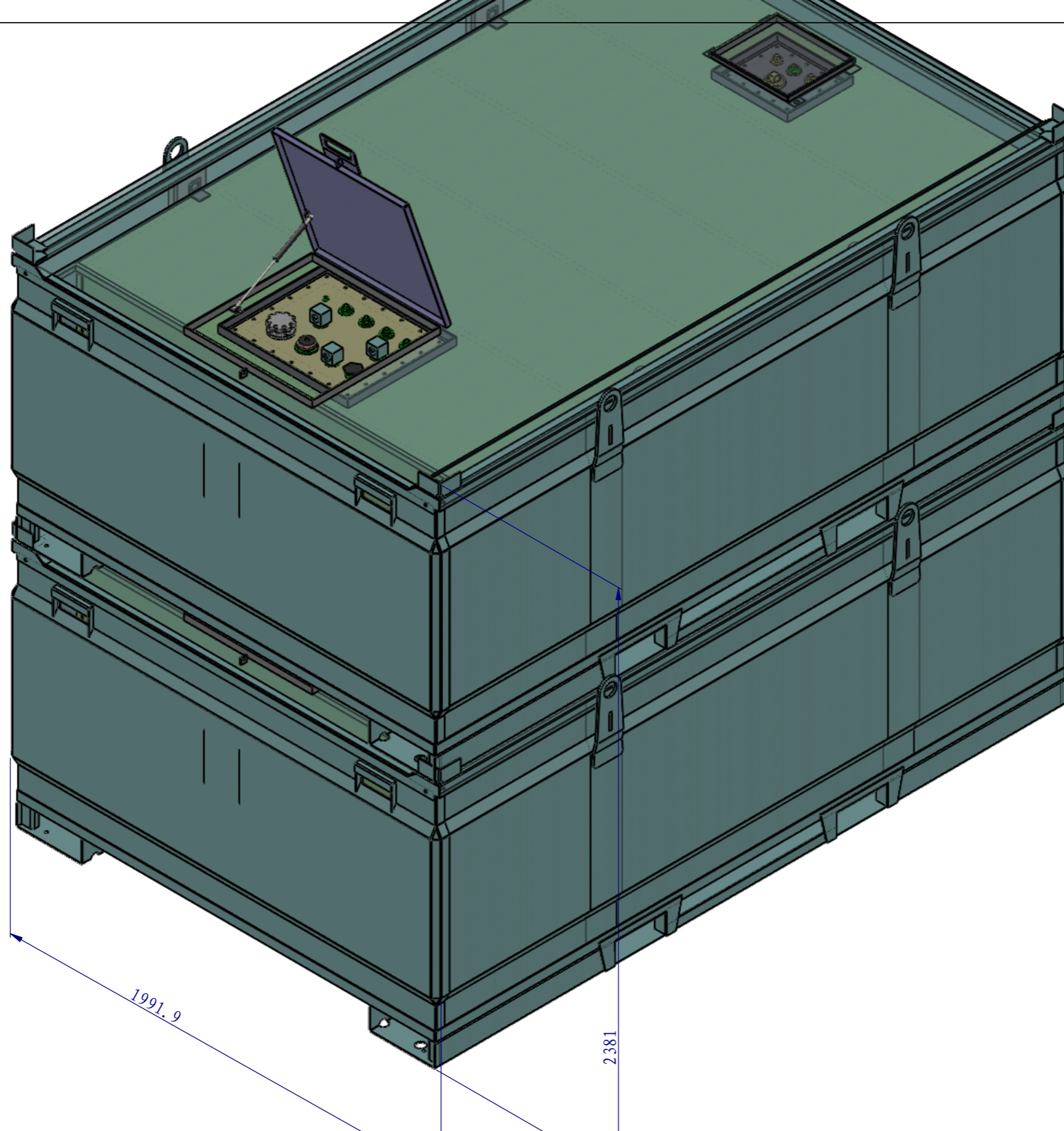
Material:
Weight: 1734.96KG

DRAWN: SAVING DATE: 2016/7/8
CHECKED: DATE:
CLIENT: DATE:
APPROVED: DATE:

TITLE:
iFUEL 4500L SELF BUNDED BAFFLED CUBE
DRAWING NO. :
REV:
SHEET: 2 of 3
Scale: No scale
PURCHASE ORDER NO. :

A3





Note:
 > Designed and approved to AS1940 / AS1692 / AS1657
 > All welding to AS1554.1

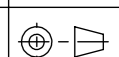


Material:
 Weight: 3458.76KG

DRAWN: DATE: 2016/7/8
 CHECKED: DATE:
 CLIENT: DATE:
 APPROVED: DATE:

TITLE:
iFUEL 4500L SELF BUNDED BAFFLED CUBE
 DRAWING NO. :
 PURCHASE ORDER NO. :
 REV: 01
 SHEET: 3 of 3
 Scale: No scale

A3



07					
06					
05					
04					
03					
02					
01					
REV:	DATE:	REVISION:	DRAWN:	CHECKED:	APPROVED: