

Size	Total fill Level (L)	Safe fill Level (L) 95%	Length (mm)	Width (mm)	Height (mm)
CUBE1060	1060L	1000L	1577	1132	1237

07					
06					
05					
04					
03					
02					
01					
REV:	DATE:	REVISION:	DRAWN:	CHECKED:	APPROVED:

Note:  
 > Designed and approved to AS1940 / AS1692 / AS1657  
 > All welding to AS1554.1



Material:  
 Weight: 545.68KG

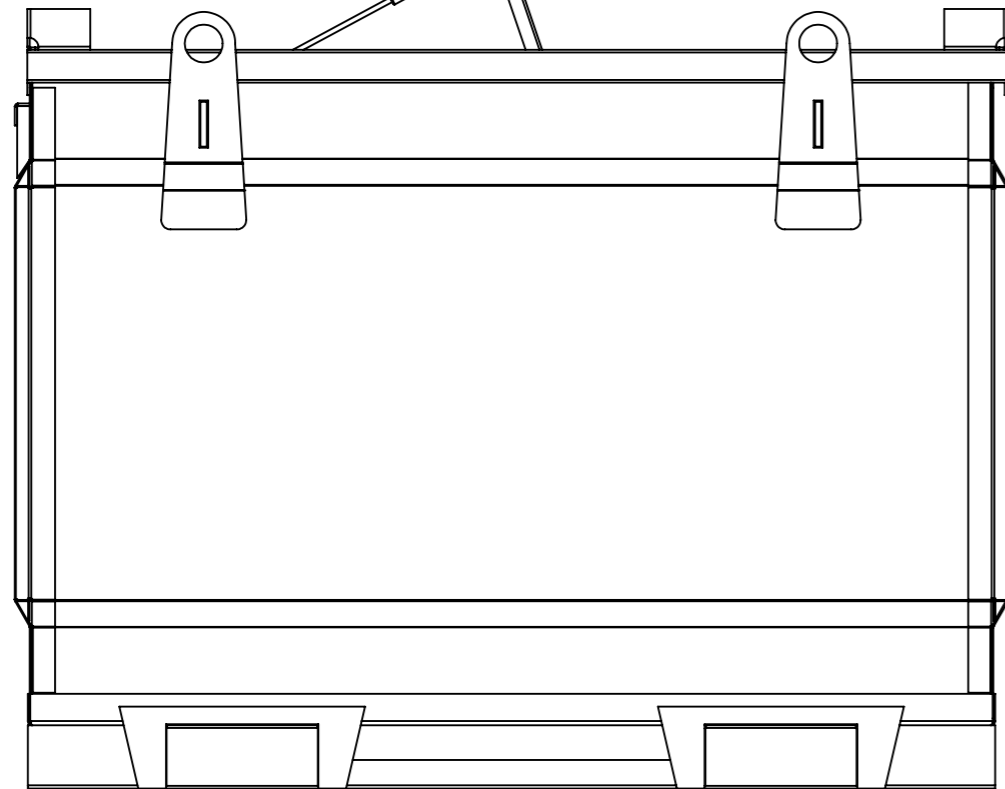
DRAWN: DATE: 2016/7/11  
 CHECKED: DATE:  
 CLIENT: DATE:  
 APPROVED: DATE:

TITLE: iFUEL 1100L SELF BUNDED BAFFLED CUBE  
 DRAWING NO. :  
 PURCHASE ORDER NO. :  
 REV: 01  
 SHEET: 1 of 4  
 Scale: No scale

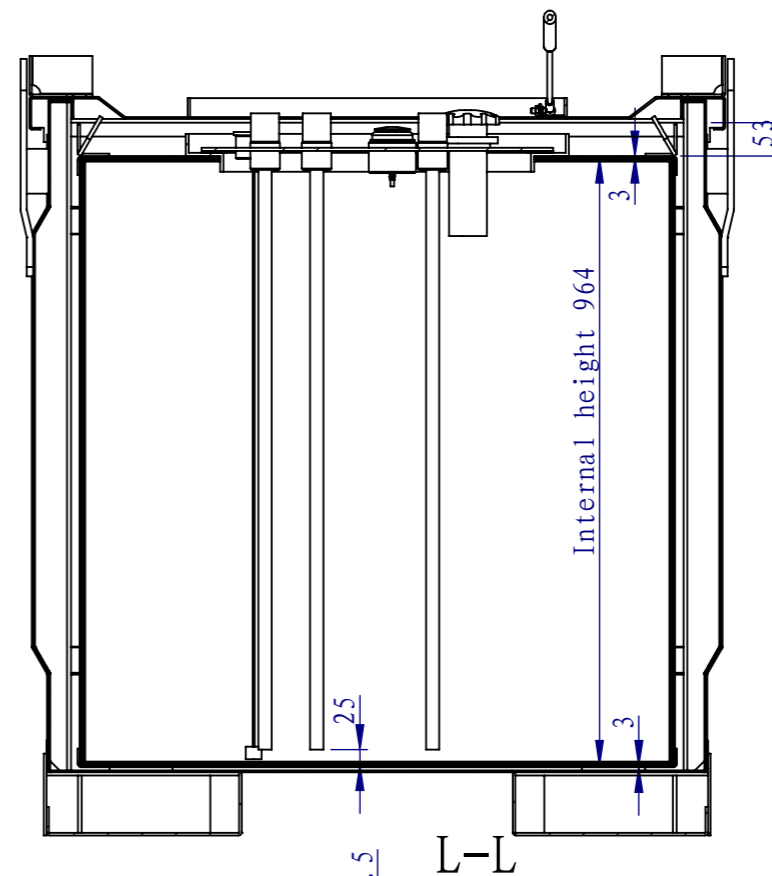
A3



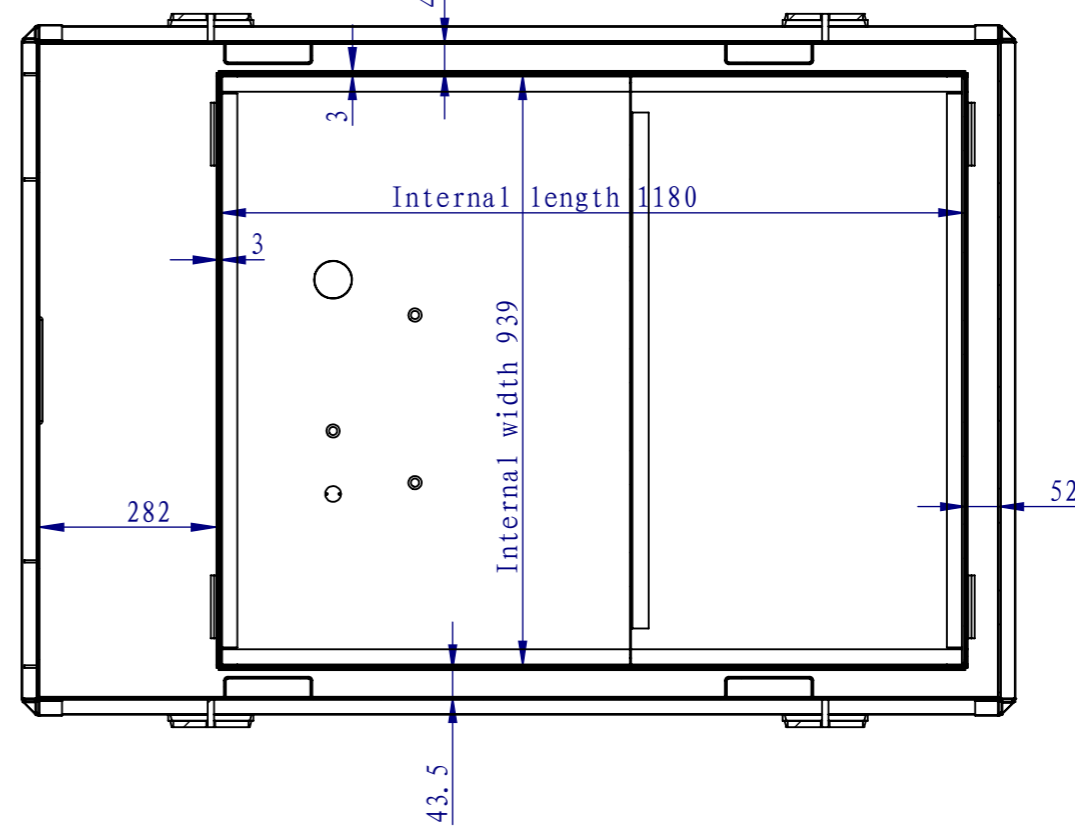
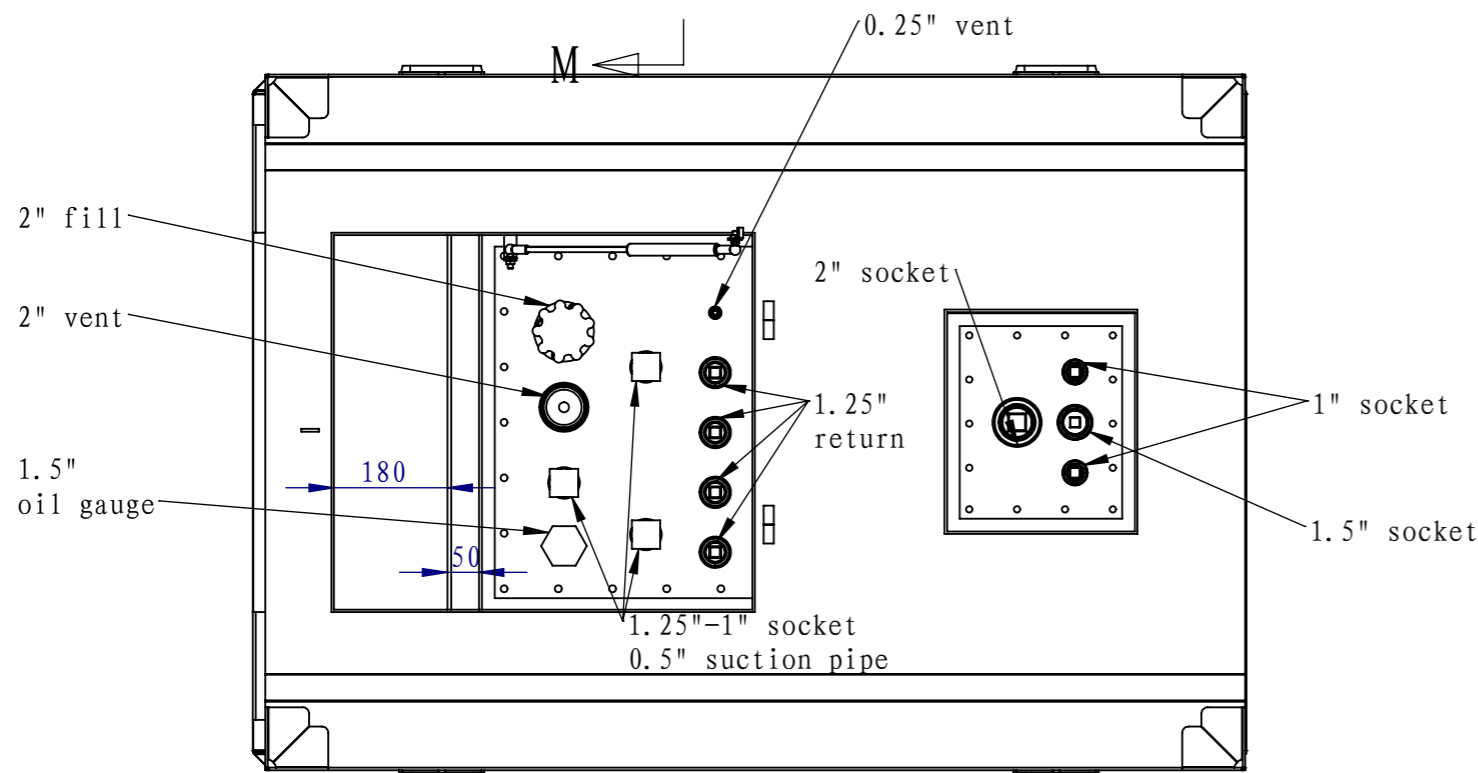
L



L



L-L



07					
06					
05					
04					
03					
02					
01					
REV:	DATE:	REVISION:	DRAWN:	CHECKED:	APPROVED:

Note:  
1. All thread is BSP;



Material:  
Weight: 545.68KG

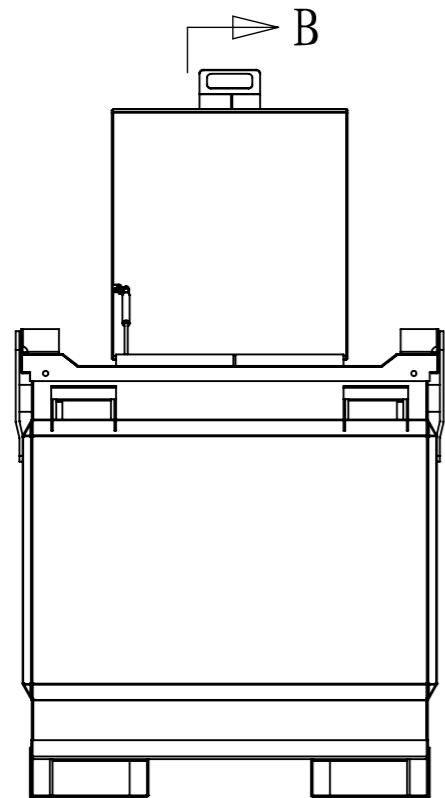
DRAWN: DATE: 2016/7/11  
CHECKED: DATE:  
CLIENT: DATE:  
APPROVED: DATE:

TITLE: iFUEL 1100L SELF BUNDED BAFFLED CUBE  
DRAWING NO. :  
PURCHASE ORDER NO. :

REV: 01  
SHEET: 2 of 4  
Scale: No scale

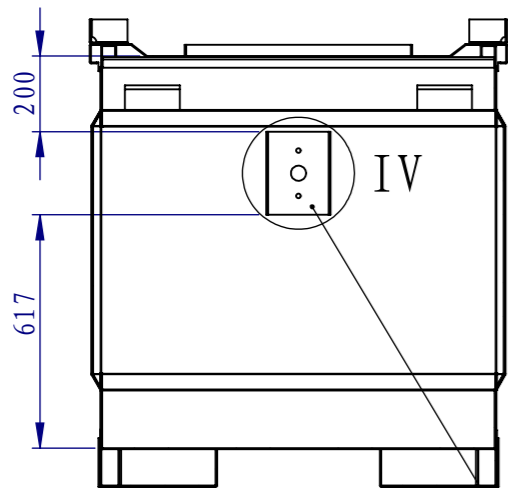
A3



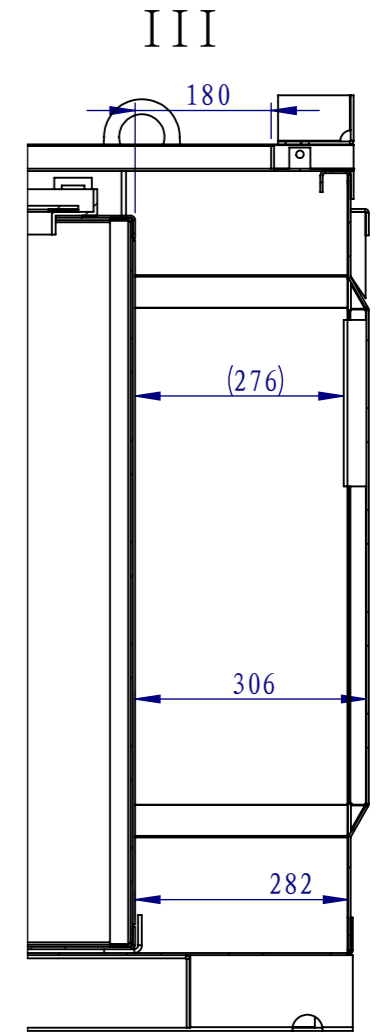
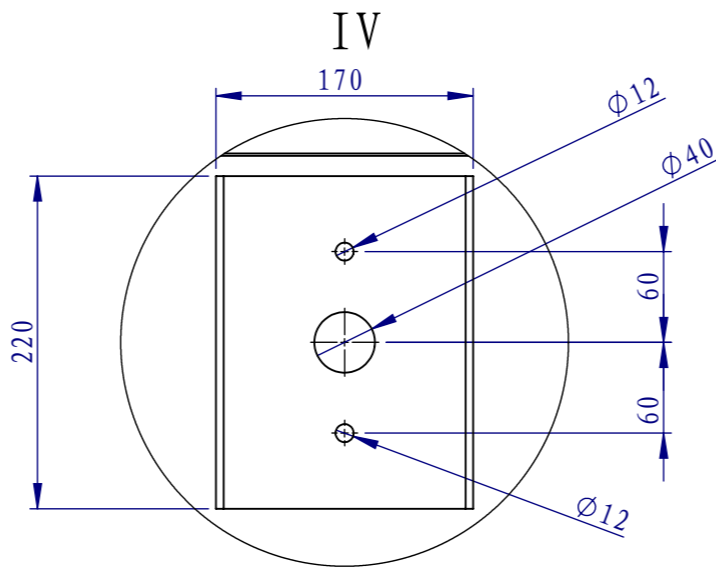
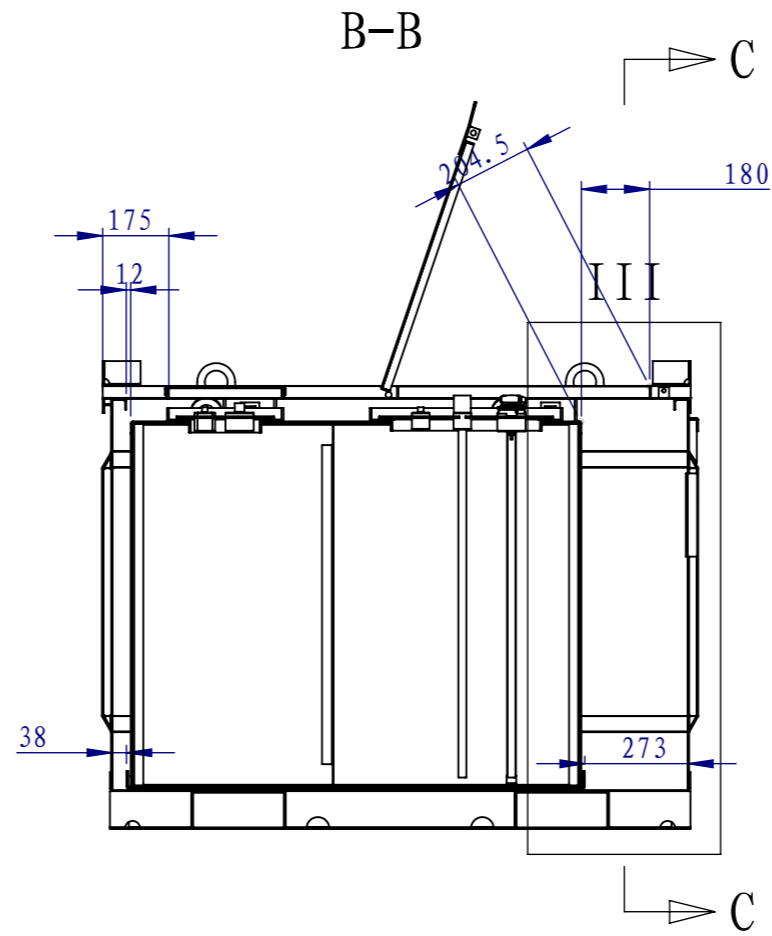


B

C-C



Pump block



07					
06					
05					
04					
03					
02					
01					
REV:	DATE:	REVISION:	DRAWN:	CHECKED:	APPROVED:



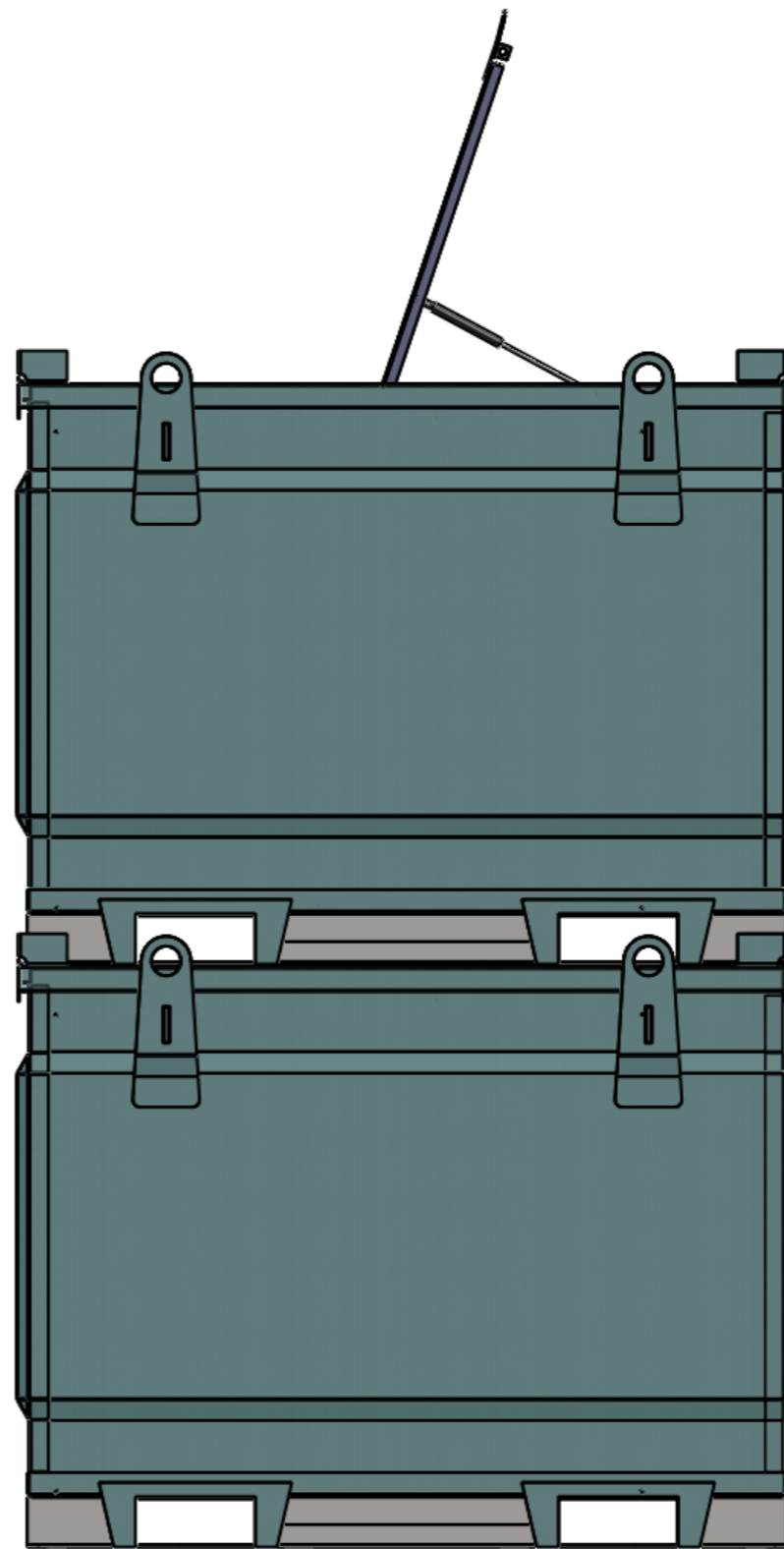
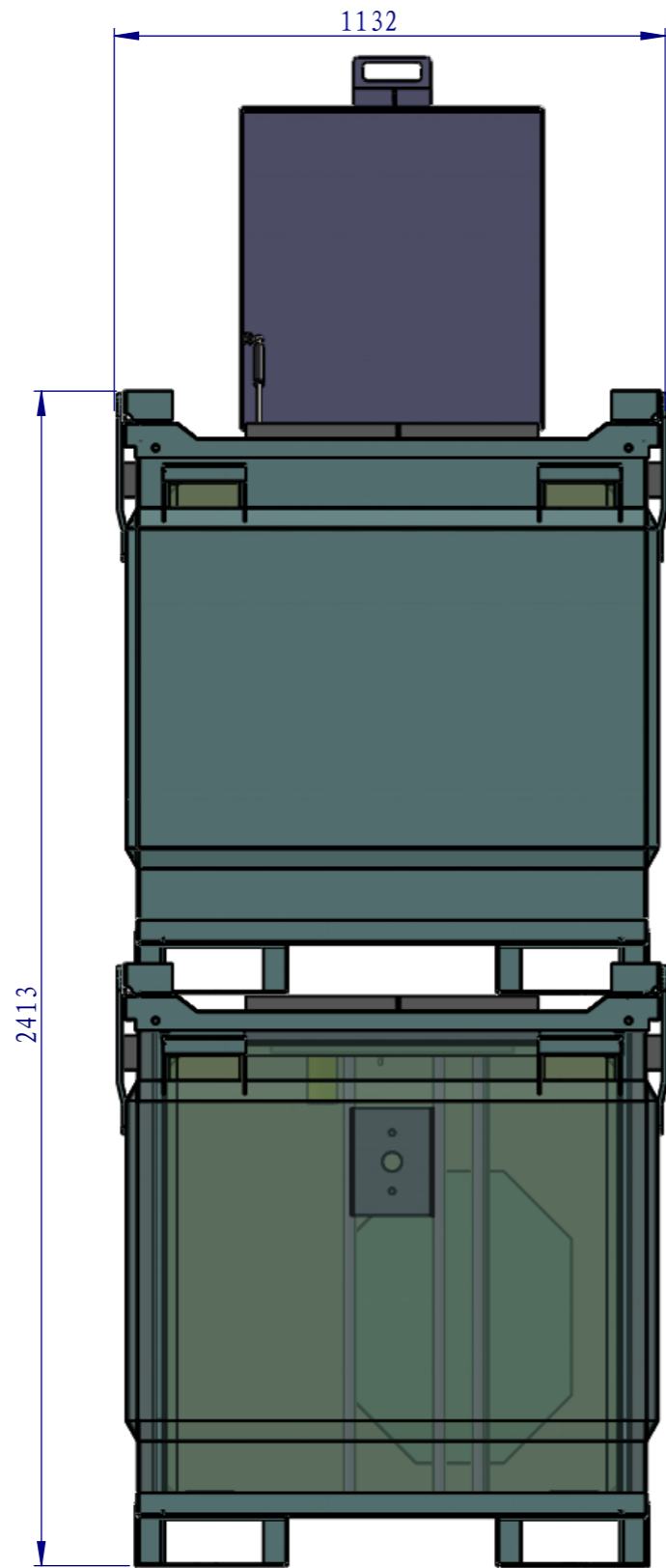
Material:  
Weight: 545.68KG

DRAWN: DATE: 2016/7/11  
 CHECKED: DATE:  
 CLIENT: DATE:  
 APPROVED: DATE:

TITLE: iFUEL 1100L SELF BUNDED BAFFLED CUBE  
 DRAWING NO. :  
 PURCHASE ORDER NO. :  
 REV: 01  
 SHEET: 3 of 4  
 Scale: No scale

A3





07					
06					
05					
04					
03					
02					
01					
REV:	DATE:	REVISION:	DRAWN:	CHECKED:	APPROVED:

Note:  
 > Designed and approved to AS1940 / AS1692 / AS1657  
 > All welding to AS1554.1



Material:  
 Weight: 1079.11KG

DRAWN: DATE: 2016/7/11  
 CHECKED: DATE:  
 CLIENT: DATE:  
 APPROVED: DATE:

TITLE: iFUEL 1100L SELF BUNDED BAFFLED CUBE  
 DRAWING NO. :  
 PURCHASE ORDER NO. :  
 REV: 01  
 SHEET: 4 of 4  
 Scale: No scale

A3

