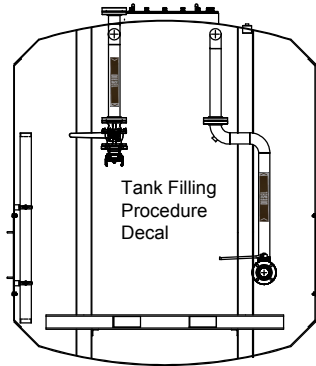
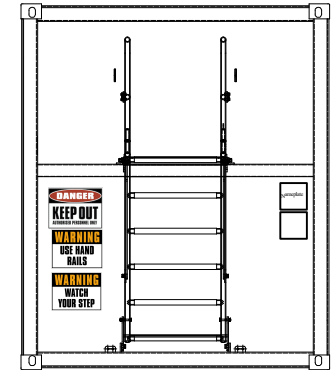
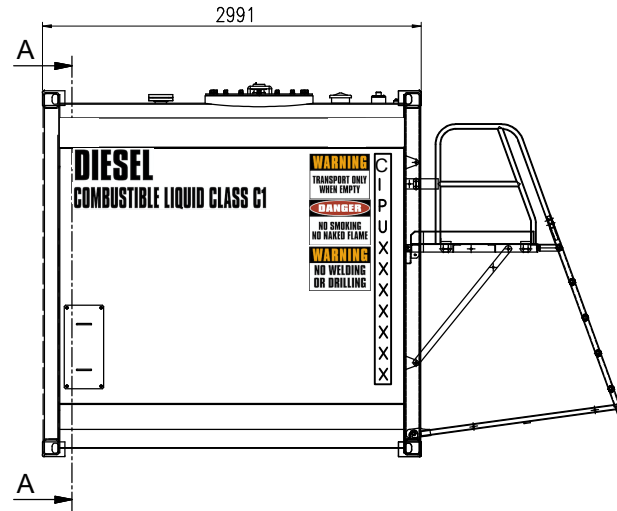
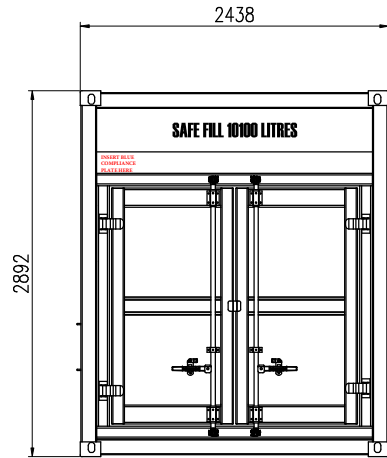
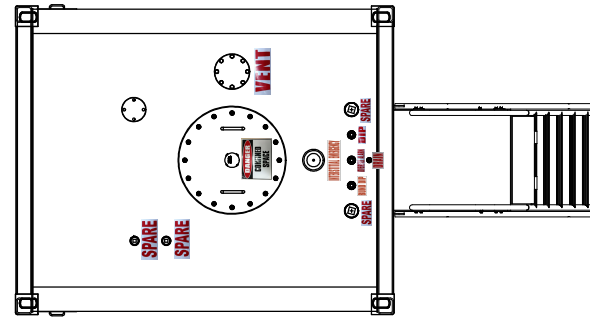



DO NOT SCALE



SECTION: A-A



PART	FINISH	TOLERANCES: ALL DIMENSIONS IN MM	DRAWN	DATE 07/17/2018		TITLE
	MATERIAL		ALL WELDS TO BE 10 mm.(MIN) FILLET OR BUTT WELDS UNLESS STRATED OTHEWISE ALL WELDS TO BE :A.S. 1554	DESIGN/CHECKED		DATE
APPROVED		DATE	DRAWING NO			
CONFIGURED	DATE	PT12PB-01-0001				
			SCALE:	APPR MASS:	SHEET 2 OF 3	REV: 01