

A INDEX

INDEX
DECLARATION CE OF CONFORMITY
GENERAL WARNINGS
FIRST AID RULES
SAFETY INSTRUCTIONS
PACKAGING
MACHINE AND MANUFACTURER IDENTIFICATION
OPERATIONS AND USE
PROBLEMS AND SOLUTIONS
DEMOLITION AND DISPOSAL

B DECLARATION CE OF CONFORMITY

The undersigned: PIUSI S.p.A. Via Pacinotti c.m. z.I.Rangavino 46029 Suzzara - Mantova - Italy

HEREBY STATES under its own responsibility, that the equipment described below: Description: diesel fuel dispensing station Model: st cassetta basic - st cassetta pro Serial number: refer to Lot Number shown on CE plate affixed to product Year of manufacture: refer to the year of production shown on the CE plate affixed to the product

is in conformity with the legal provisions indicated in the directives: - Machine Directive 2006/42/EC - Electromagnetic Compatibility Directive 2004/108/EC - Low-Voltage Directive 2006/95/EC

The documentation is at the disposal of the competent authority following motivated request at PIUSI S.p.A. or following request sent to the email address: doc\_tec@piusi.com The person authorised to compile the technical file and draw up the declaration is Otto Varini as legal representative.

Signature of Otto Varini

Suzzara, 01/01/2010

Legal Representative

C GENERAL WARNINGS

Warnings To ensure operator safety and to protect the dispensing system from potential damage, workers must be fully acquainted with this instruction manual before attempting to operate the dispensing system.

Symbols used in the manual The following symbols will be used throughout the manual to highlight safety information and precautions of particular importance:

- WARNING This symbol indicates safe working practices for operators and/or potentially exposed persons.
WARNING This symbol indicates that there is risk of damage to the equipment and/or its components.
NOTE This symbol indicates useful information.

Manual preservation This manual should be complete and legible throughout. It should remain available to end users and specialist installation and maintenance technicians for consultation at any time.

Reproduction rights All reproduction rights are reserved by PIUSI S.p.A. The text cannot be reprinted without the written permission of PIUSI S.p.A. © PIUSI S.p.A. THIS MANUAL IS THE PROPERTY OF PIUSI INC. ANY REPRODUCTION, EVEN PARTIAL, IS FORBIDDEN.

D FIRST AID RULES

Contact with the product In the event of problems developing following eye/skin contact, inhalation or ingestion of the treated product, please refer to the safety data sheet.

Persons who have suffered electric shock Disconnect the power source, or use a dry insulator to protect yourself while you move the injured person away from any electrical conductor. Avoid touching the injured person with your bare hands until he is far away from any conductor. Immediately call for help from qualified and trained personnel. Do not operate switches with wet hands.

SMOKING PROHIBITED When operating the dispensing system and in particular during

NOTE Please refer to the safety data sheet for the product

E SAFETY INSTRUCTIONS

E1 SAFETY WARNINGS

WARNING You must avoid any contact between the electrical power supply and the fluid that needs to be pumped.

Before any checks or maintenance work are carried out, switch the system's power off by disconnecting the terminals from the battery.

WARNING It is strictly forbidden to support or transport the system using a power supply cable. It is strictly forbidden to support or transport the system using a suction or outlet pipe.

E2 GENERAL SAFETY RULES

Essential protective equipment characteristics Wear protective equipment that is suited to the operations that need to be performed; suited to cleaning products.

Personal protective equipment that must be worn Wear the following personal protective equipment during handling and installation: safety shoes;

close-fitting clothing;

protective gloves;

safety goggles;

instruction manual

Protective gloves Prolonged contact with the treated product may cause skin irritation; always wear protective gloves during dispensing.

DANGER Never touch the electric plug or socket with wet hands. Do not switch the dispensing system on if the network connection cable or important parts of the apparatus are damaged, such as the inlet/outlet pipe, nozzle or safety devices. Replace the damaged pipe immediately.

Before each use, check that the network connection cable and power plug are not damaged. Have the network connection cable replaced immediately by a qualified electrician.

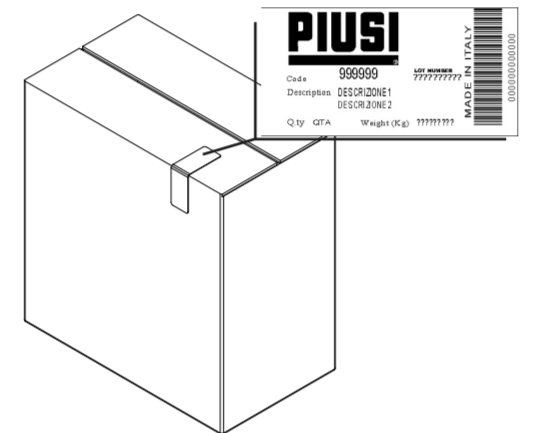
ATTENTION The electrical connection between the plug and socket must be kept well away from water.

Unsuitable extension leads can be dangerous. In accordance with current regulations, only extension cords that are labelled for outdoor use and have a sufficient conduction path should be used outdoors.

F PACKAGING

The dispensing system comes packed suitably for shipment. On the packaging a label shows the following product information:

- name - code - weight (The weight of st cassetta is different depending on its internal equipment. Range: min. 32 Kg - max. 43.5 Kg).



F1 PACKAGE CONTENTS/PRE-INSPECTION

Foreword To open the packaging, use a pair of scissors or a cutter. Check that the following components provided as part of the equipment are available:

NOTE In the event that one or more of the components described below are missing from inside the package, please contact PIUSI inc technical support.

WARNING Check that the data on the plate correspond to the desired specifications. In the event of any anomaly, contact the supplier immediately, indicating the nature of the defects. Do not use equipment which you suspect might not be safe.

The station is available in 2 versions: 1 BASIC St cassetta with pump, 3-digit mechanical flow-meter, nozzle and separating filter. 3 PRO St cassetta with pump, 3-digit mechanical flow-meter, nozzle, separating filter, dispensing control system "access85" with relevant electronic keys and nozzle contact.

Additional versions are derived from variants of the 2 a. M. Ones.

F1.1 COMPOSITION

Table listing components: 1 pump, 2 mechanical flow-meter, 3 water captor filter, 4 nozzle, 5 hose, 6 case, 7 hose support.

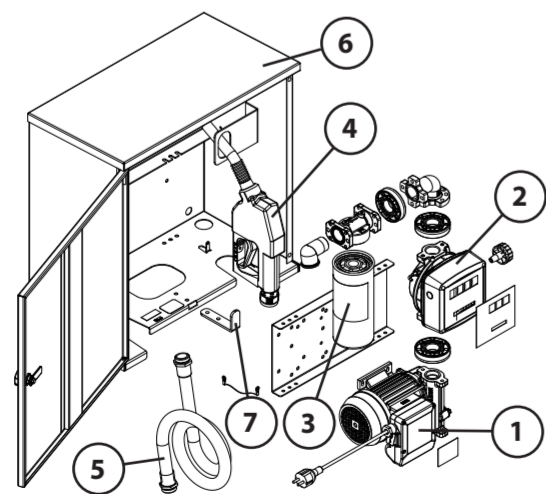
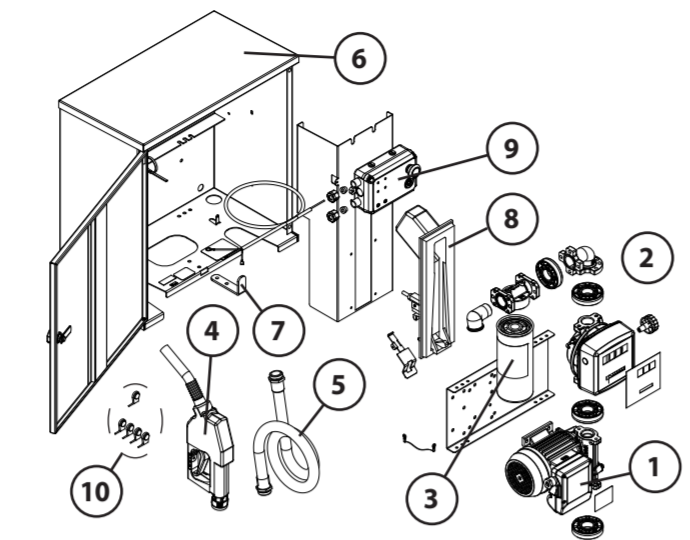


Table listing components: 1 pump, 2 mechanical flow-meter, 3 water captor filter, 4 nozzle, 5 hose, 6 case, 7 pipe support, 8 nozzle-holder, 9 access85, 10 manager+user keys.



G MACHINE AND MANUFACTURER IDENTIFICATION

Foreword The dispensing system comes with an identification plate; this is attached to the pump and contains the following information: type; lot number / Production year; technical data; use and maintenance handbook code

WARNING Before installing, always make sure the type of dispensing system is correct and suitable for the available power supply (Voltage/Frequency.)

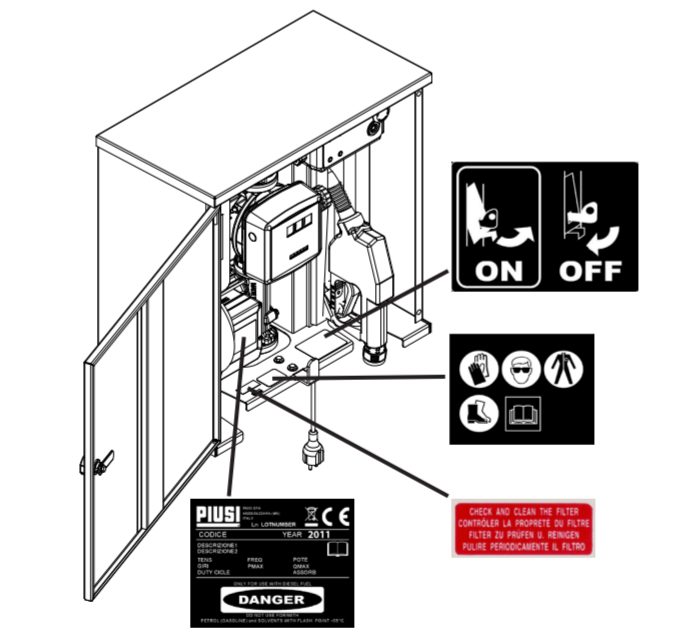
G1 PLATES POSITION

NOTE The dispensing system (inside and outside) is equipped with decals and/or plates to provide operators with the necessary important information. Make sure that these do not deteriorate or become detached over time.

Should this situation arise, please contact our support department and arrange to have the damaged or missing plates sent back and replaced where necessary.

The decals present are as follows:

- protection gloves; safety goggles; close-fitting clothing; consult the user and maintenance manual; safety shoes.



H TECHNICAL/ELECTRICAL SPECIFICATIONS AND PERFORMANCE

All information concerning the performance and technical specifications required for installation and electrical connections, in addition to the information regarding the best environmental conditions of use for this product, are contained in the pump handbook provided

I FLUIDS PERMITTED / FLUIDS NOT PERMITTED

The decals present are as follows: Products not permitted and related dangers

- DIESEL FUEL at a viscosity of from 2 to 5.35 cSt (at a temperature of 37,8°C) Minimum Flash Point (PM): 55°C
- GASOLINE
- GASOLINE-INFLAMMABLE LIQUIDS with PM < 55°C
- LIQUIDS WITH VISCOSITY > 20 cSt
- WATER
- FOOD LIQUIDS
- CORROSIVE CHEMICAL PRODUCTS
- SOLVENTS
- FIRE EXPLOSION
- FIRE EXPLOSION
- PUMP OXIDATION
- CONTAMINATION OF THE SAME
- PUMP CORROSION INJURY TO PERSONS
- FIRE - EXPLOSION
- DAMAGE TO GASKET SEALS
- MOTOR OVERLOAD

L INSTALLATION

The system st cassetta is supplied already assembled

Authorised installation personnel The final user can INSTALL and use THE STATION only after reading this use and maintenance manual. Ensure the correct installation of accessories required for the correct functioning of the pump; use only the accessories intended for this system.

ATTENTION Do not carry or handle the station while dispensing.

ATTENTION Gasoline-inflammable liquids with pm < 55°C/liquids with viscosity > 20 cSt/water-food liquids-corrosive chemical products/solvents

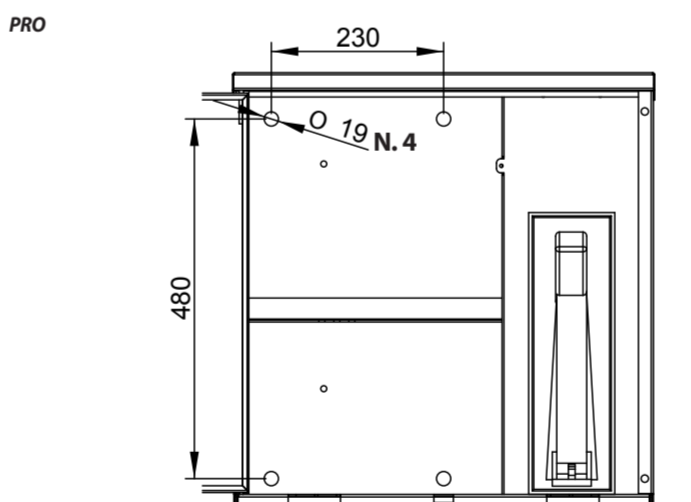
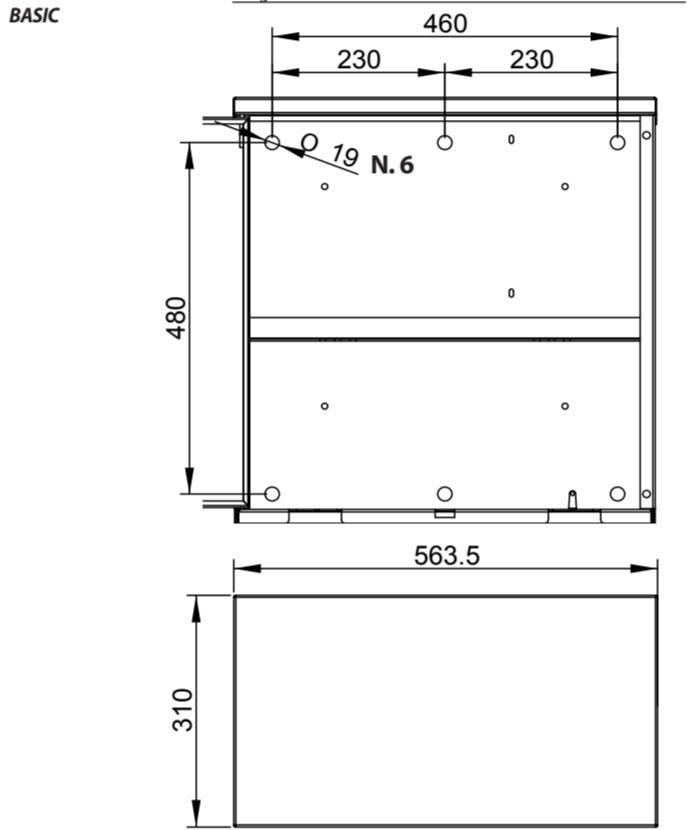
- 1 Make sure that all components are present. Request any missing parts from the manufacturer
2 Check that the STATION has not been damaged during transport or during storage in the warehouse
3 Check that the electrical data of THE SYSTEM corresponds to those indicated on the data plate
4 Install at a height of at least 80cm FROM THE GROUND.

ATTENTION Use THE STATION in a well lit place in compliance with applicable regulations. Ensure a proper segmentation of the power cord between the station and power socket.

L1 POSITIONING

WHERE IT CAN BE INSTALLED 1 Indoors or outdoors. 2 Above the suction tank. 3 On the side of the suction tank.

NOTE The st should be fixed to a vertical surface securely, using the holes on the back of the box. To fix use no. 4 Screws with relevant spacers (not supplied). Below are the drilling diagrams.



WARNING THE MOTORS ARE NOT OF AN ANTI-EXPLOSIVE TYPE. Do not install them where inflammable vapors can be present.

L2 ASSEMBLY OF LOOSE PARTS

WARNING Before using the station, correctly assemble the following parts supplied in the package:

- DELIVERY HOSE
NOZZLE
PIPE SUPPORT

M OPERATIONS AND USE

Foreword Directions on how to start and stop operation of the system are given below:

ATTENTION Foreign matters in the suction and delivery circuit of the pump could cause malfunctioning and breakage of the components of the station itself. The installation of a suction filter is recommended.

WARNING Directions on how to start and stop operation of the system are given below:

WARNING Do not run the pump dry. This can cause serious damage to its components.

ATTENTION Operation of the pump without dispensing is only admitted for periods of no longer than 3 minutes.

ATTENTION Before dispensing, make sure the pump switch is in position "I" (access), the emergency button is not pressed and the power plug is connected to its socket.

M1 BASIC VERSION

Foreword Below is a short description, useful for daily use of basic stations, divided into operation sequences.

- 1 Remove the nozzle from its seat.
2 Place the nozzle spout into the opening of the tank that needs to be filled.
3 Start dispensing by manually pressing the lever upwards and deliver.
4 After dispensing switch off the pump and place the nozzle back in its seat.

M2 PRO VERSION (WITH ACCESS85)

Foreword Below is a short description, useful for daily use of pro stations, divided into operation sequences. For further details refer to the special access85 handbook supplied with the station.

- 1 Apply the electronic key to the reader and allow the system to recognise you. (The key led lights up steady)
2 Remove the nozzle from its seat and raise the nozzle lever
3 Dispense
4 The system can be stopped in 3 ways
4.1 By pressing the stop button (0)
4.2 By placing the nozzle back in its seat
4.3 By letting all the pre-set time for dispensing pass.

M3 WATER CAPTOR FILTER

The stations st are equipped with water separating filter, useful for dispensing a cleaner product and able to remove nearly all impurities from diesel. Replace it periodically for better performance of the station. Replace the cartridge when the flow-rate of the fluid dispensed is slightly reduced.

N MAINTENANCE

Safety instructions The dispensing system was designed and built to require a minimal amount of maintenance. Before carrying out any maintenance work, disconnect the dispensing system from any electrical and hydraulic power source. During maintenance, the use of personal protective equipment (PPE) is compulsory. In any case always bear in mind the following basic recommendations for a good functioning of the dispensing system:

- All maintenance must be performed by qualified personnel. Tampering can lead to performance degradation, danger to persons and/or property and may result in the warranty being voided.
Whenever there is risk of frost, empty the circuit and the pump, taking care to place the pump in an environment where the temperature is no lower than 0°C/32°F.
Check that the labels and plates found on the dispensing system do not deteriorate or become detached over time.
ONCE A WEEK:
- Check that the pipe connections are not loose to prevent any leaks;
ONCE A MONTH:
- Check that the electrical supply cables are in good condition.

O NOISE LEVEL

In normal operating conditions, noise emissions of all models do not exceed 70 dB at a distance of 1 metre from the electric pump.

P PROBLEMS AND SOLUTIONS

Foreword For any problems contact the authorised dealer nearest to you.

For immediate diagnostics of the parts (pump, flow-meter, access85), always refer to the tables in "problems and solutions" shown in the specific handbooks supplied with the station.

ATTENTION In the event of an unjustified decrease in flow-rate, the replacement of the water captor filter may be required. Always keep a spare filter at hand.

Q DEMOLITION AND DISPOSAL

Foreword The packaging consists of biodegradable cardboard which can be delivered to companies that specialize in the recycling of cellulose.

Disposing of packing materials Disposal of other parts: Other components, such as pipes, rubber gaskets, plastic parts and wires, must be disposed of by companies specialising in the disposal of industrial waste.

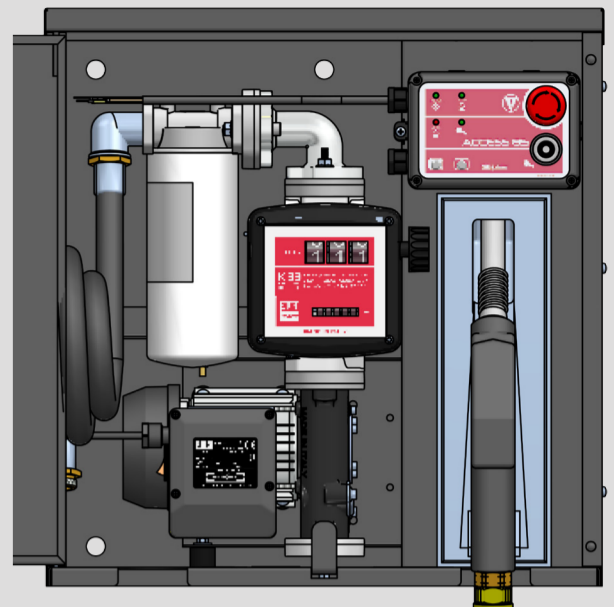
Metal Parts Disposal of electric and electronic components These must be disposed of by companies that specialize in the disposal of electronic components, in accordance with the indications of directive 2002/96/CE (see text of directive below).

European Directive 2002/96/EC requires that all equipment marked with this symbol on the product and/or packaging not be disposed of together with non-differentiated urban waste. The symbol indicates that this product must not be disposed of together with normal household waste. It is the responsibility of the owner to dispose of these products as well as other electric or electronic equipment by means of the specific refuse collection structures indicated by the government or the local governing authorities.

Information regarding the environment for clients residing within the European Union Miscellaneous parts disposal

Other components, such as pipes, rubber gaskets, plastic parts and wires, must be disposed of by companies specialising in the disposal of industrial waste.

ST CASSETTA ST BOX



MANUALE D'USO E MANUTENZIONE IT

USE AND MAINTENANCE MANUAL EN

Bulletin M0224ITEN rev. 0



PIUSI S.p.A. Suzzara (MN) Italy

Bulletin M0224ITEN rev 0