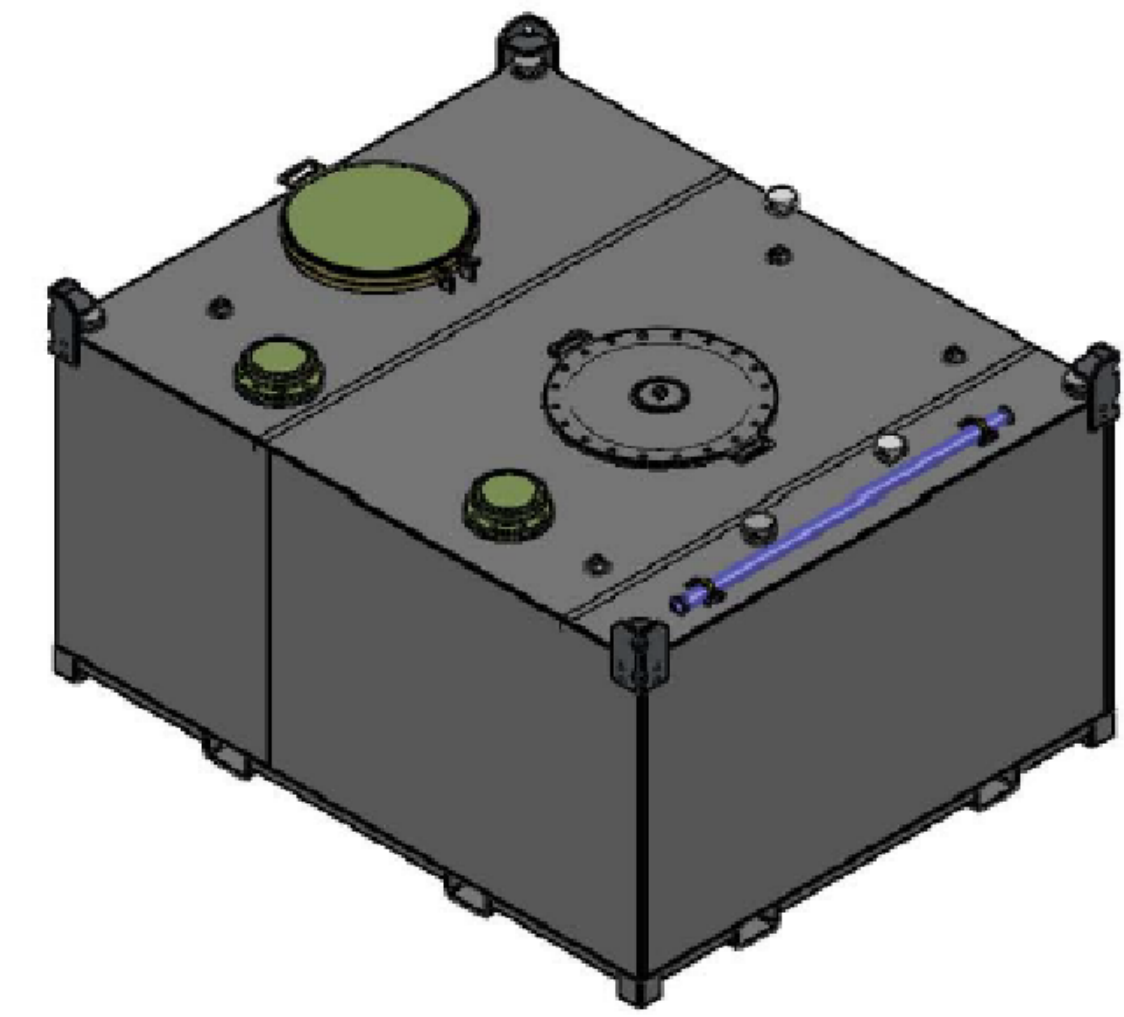
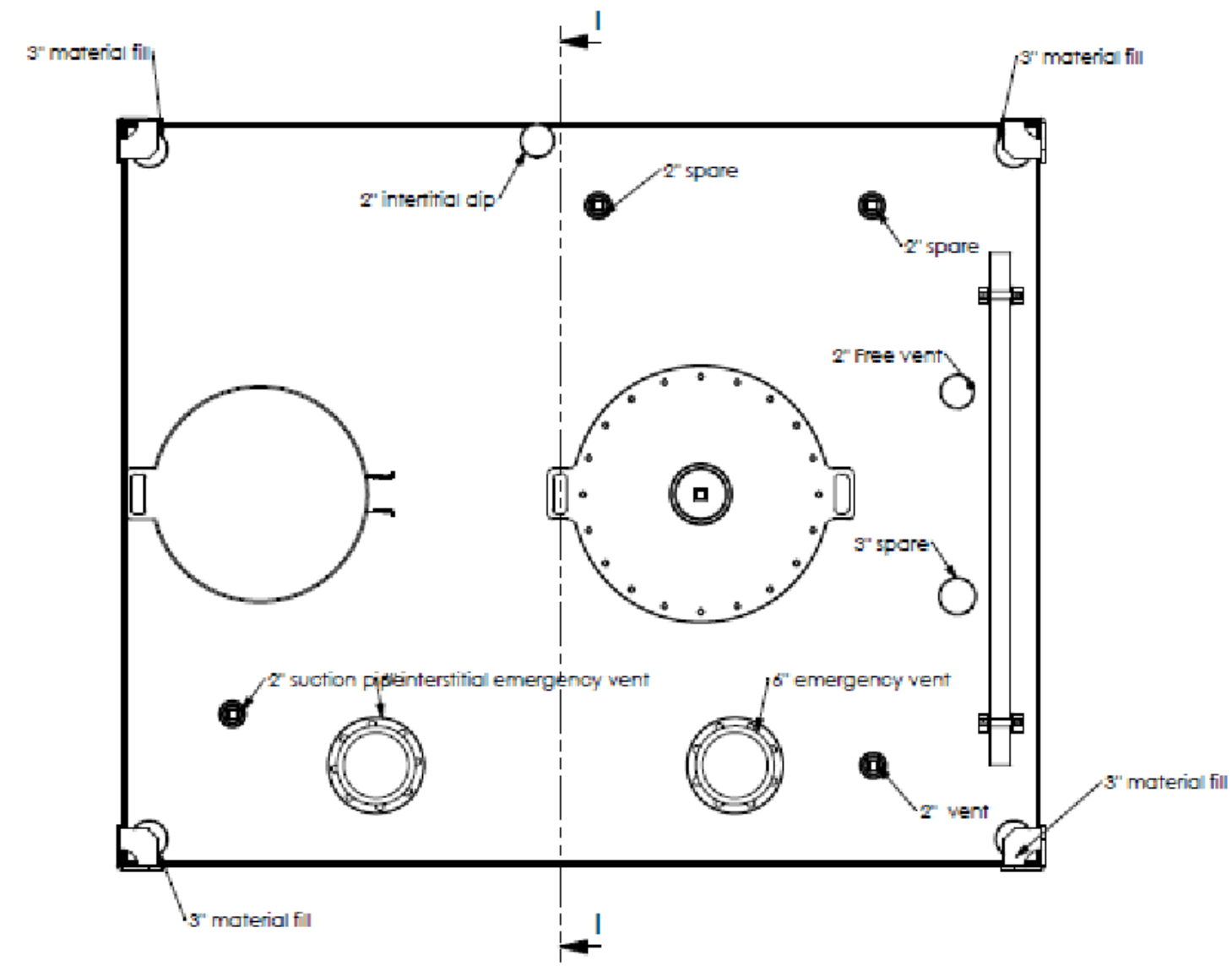
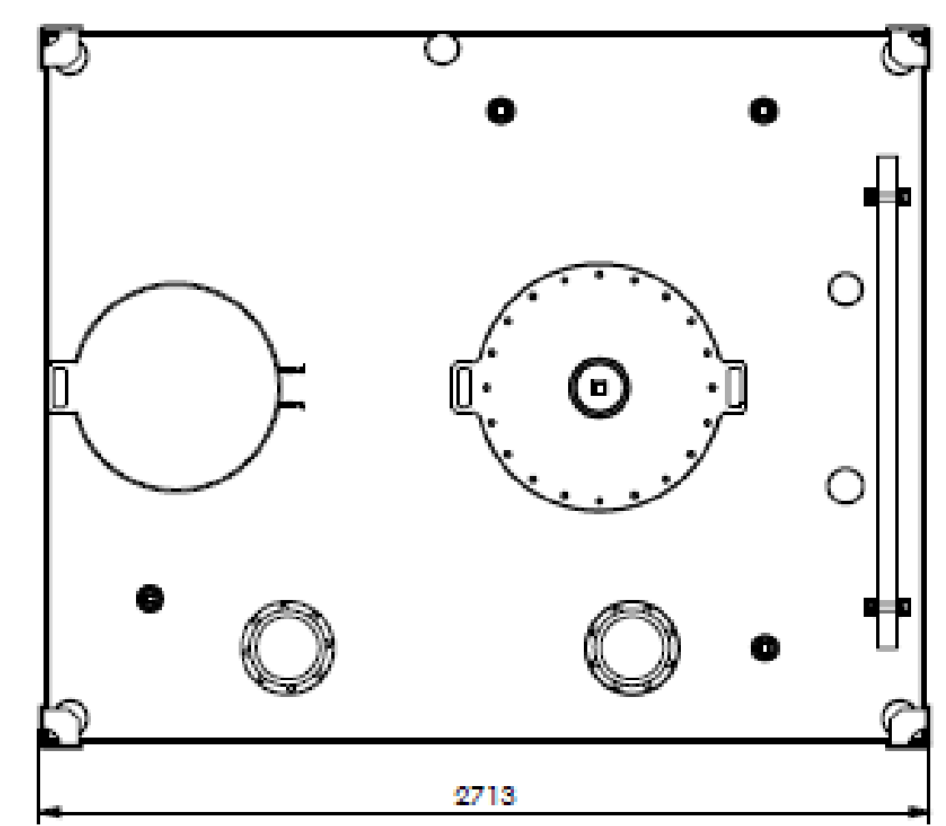
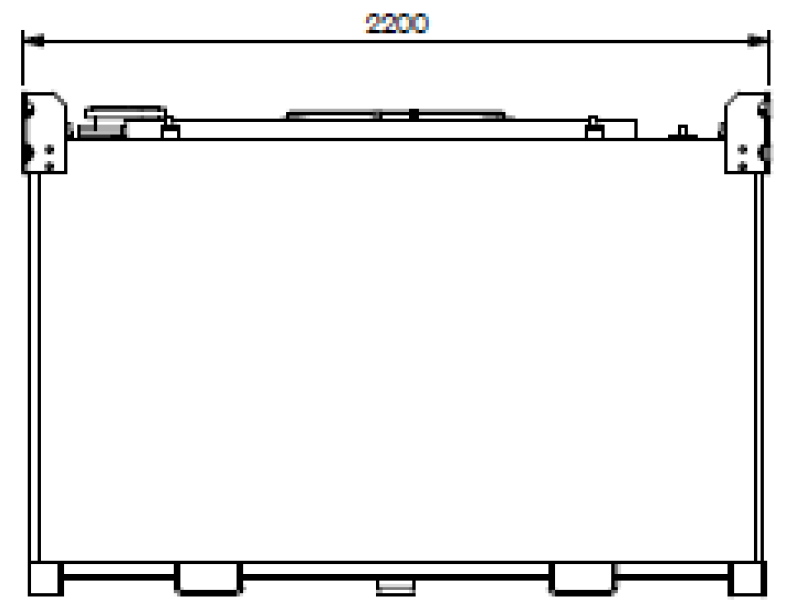
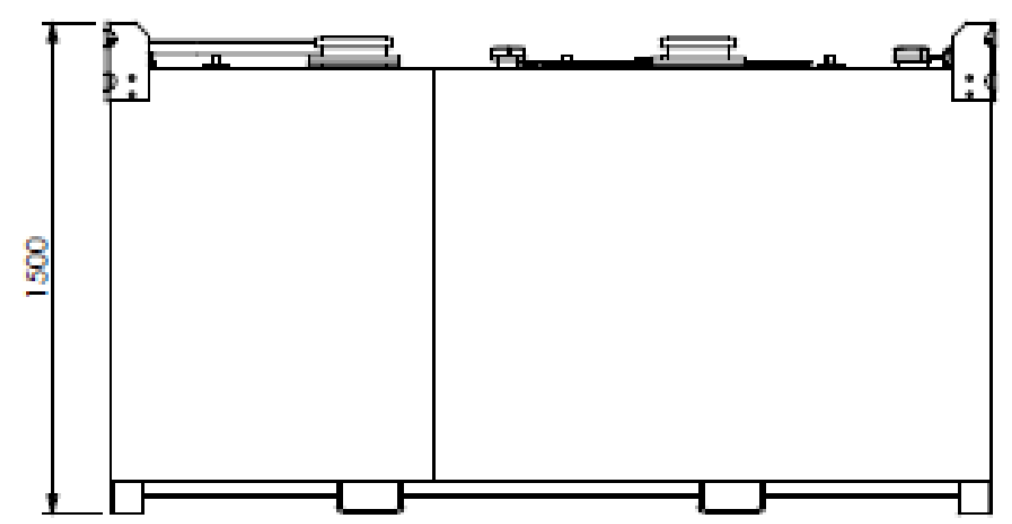


TANK DATA

DESIGNED TO	AS1692, UL 142, UL2085
BUILT TO	UL142, UL2085
GROSS VOLUME	5,290l
SAFE FILL LEVEL	5,000l
PNEUMATIC TEST	21-35 kPa (INNER & OUTER)
PAINT - EXTERNAL	BASE - HEMPADUR 17360, 50µm INTERMEDIATE - HEMPADUR 15560, 100µm TOP - HEMPADUR 55610, 50µm
PAINT COLOUR	HEMPEL 10000 HIGH-GLOSS WHITE



**IF IN DOUBT ASK.
DRAWING INFORMATION TAKES PRECEDENCE OVER PARTS LIST**



GENERAL NOTES DO NOT SCALE UNLESS STATED OTHERWISE- ALL DIMENSIONS IN MILLIMETERS ALL THREADS ARE METRIC COARSE DEBURR & REMOVE ALL SHARP EDGES TOLERANCES: TYPE RANGE TOLERANCE LINEAR (mm) 0-100 ±2.0 101-1000 ±10.0 >1000 ±20.0 ANGULAR (minutes) ±0.1°		SCALE 2:1 DWN MB 17/09/2018 CLIENT NA END USER NA	TITLE 5000L Fire Rated Tank SHEET 1 OF 1 DRAWING NUMBER REV A
--	--	--	---