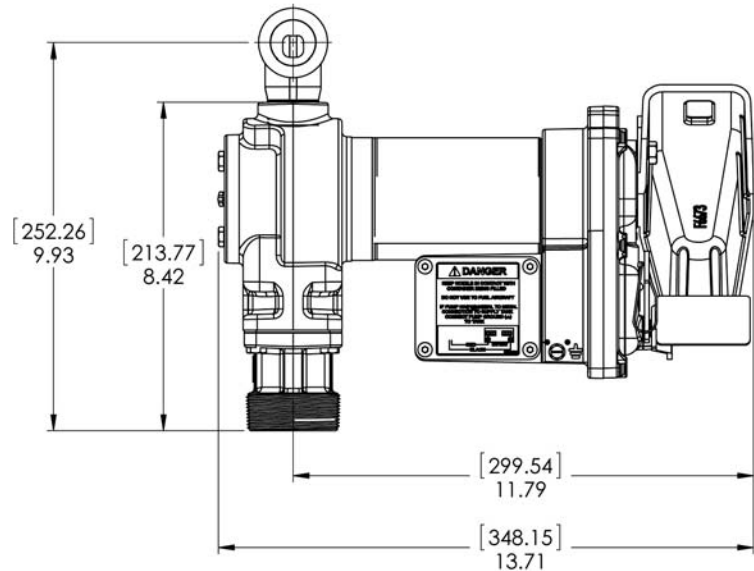
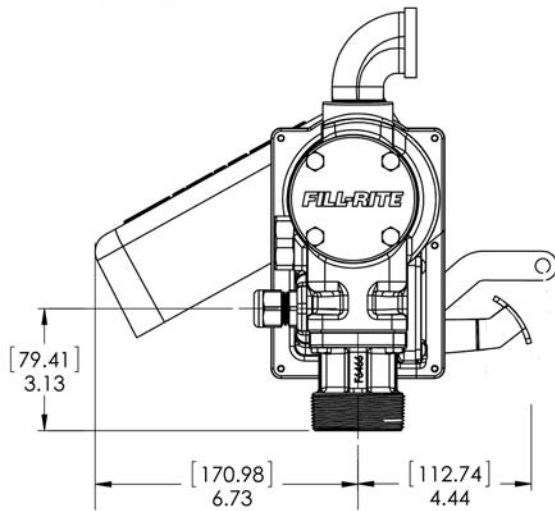
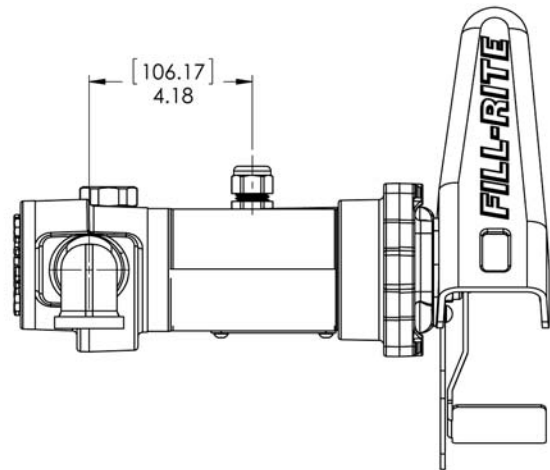


FILL-RITE® FR4200G* Technical Specifications

The Most Trusted Name in Pumps and Meters



FR4200G Series



| Pump | |
|-------------------------------------|--|
| Type- rotary, diaphragm, gear, vane | Rotary Vane |
| GPM in supplied configuration | Up to 21 |
| GPM open flow - no hose or nozzle | Up to 21 |
| By-pass pressure rating (psi) - Max | 16 psi |
| Dry vac (in Hg) | 5 |
| Head- Max (Ft.) | 36.96 |
| Anti-siphon valve | None |
| Inlet - Size / Thread | 1" NPT 1" BSPT* |
| Outlet - Size / Thread | 1" NPT 1" BSPP* |
| Mount | 2" Bung NPT 2" BSPT* |
| Material -pump housing | Cast Iron |
| Material- wetted material | BUNA-N |
| Rotor material | Powdered Iron |
| Rotor vane material | Sintered Bronze |
| Compatible fluids | Diesel, gasoline, Biodiesel up to B20, E15, Kerosene |
| Strainer Mesh Size (microns) | 20 x 20 |
| Warranty | 2 Years |

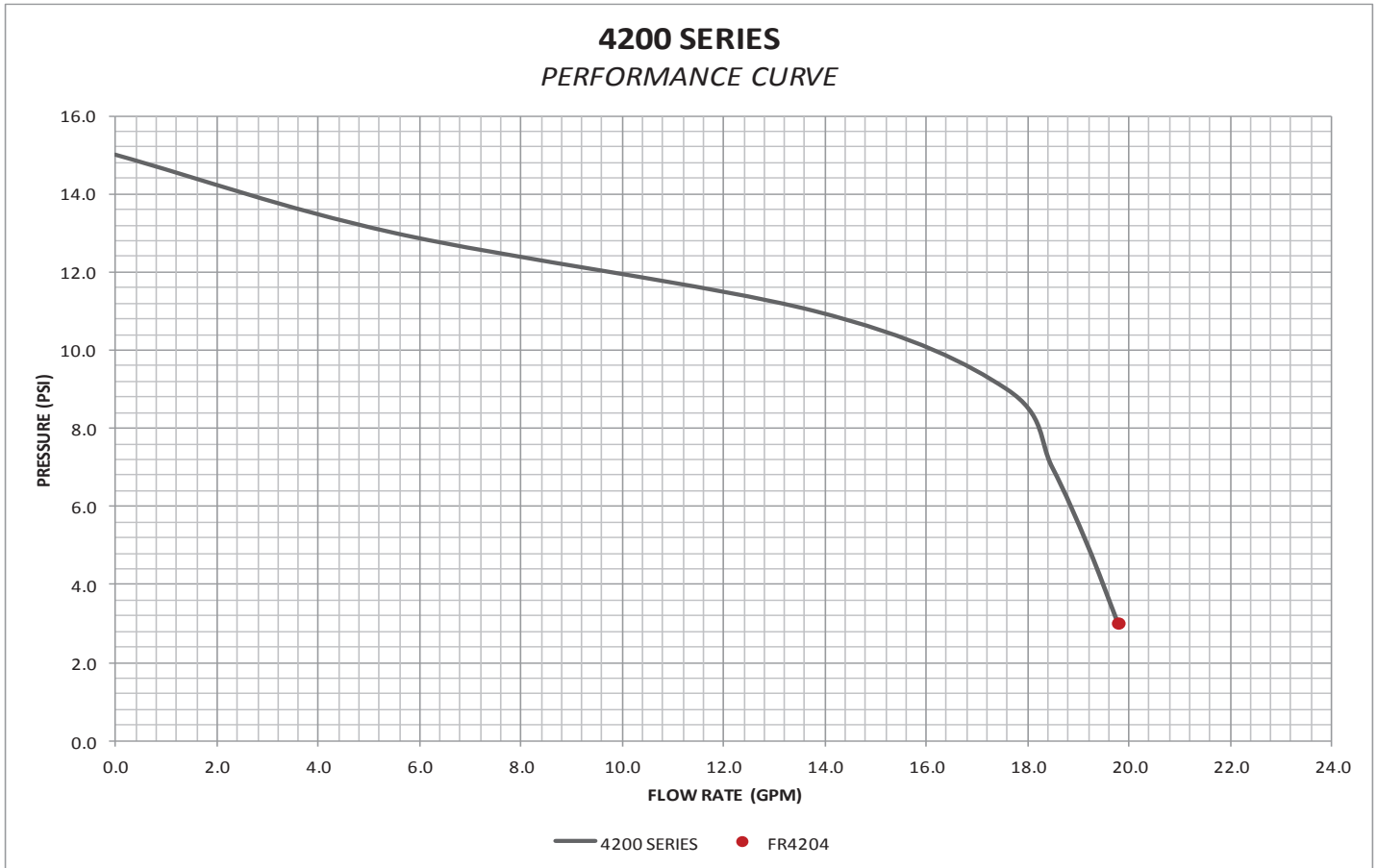
| Motor | |
|----------------------------------|----------------------------------|
| Power - AC 115, 230, 115/230 VAC | N/A |
| HZ 50, 60, 50/60 | N/A |
| Power - DC 12, 24, 12/24 | 12 |
| HP (horsepower) rating | 1/4 HP |
| Power cord length (feet) | 18' |
| Power cord gauge (AWG) | 12 AWG |
| DC Power cord connectors | NONE |
| Amps (FLA) | 13 |
| RPM | 2600 |
| Duty cycle | 30 min. |
| Thermal protection switch | Yes |
| Circuit protection fuse | NONE |
| Certification | UL, cUL Motor, ATEX, CE**, ANZEx |

***4200G Series pumps models:**
FR4204G, FR4210G, FR4211G,
FR4205GE, FR4211GEBL, FR4211GEL,
FR4210GEB

** "E" models are CE Certified for use in Europe.
*** Specification will vary with specific model chosen.



Performance Data



Service Kit Information

| Kit | Description | Parts |
|----------|-------------------------|---|
| KIT120BD | Biodiesel Kit | O-ring seal, bypass valve poppet, bypass cap seal, inlet seal |
| KIT120RG | Rotor & Vane Kit | Rotor cover, rotor, vanes, rotor key, O-ring seal, attaching hardware |
| KIT120JC | Junction Cover Kit | Junction cover, seal |
| KIT120SL | Seal Kit | O-ring, shaft seals, retainer clip |
| KIT120BV | By-Pass Service Kit | Screen, bypass valve, valve spring, bypass cap. O-ring seal |
| KIT120NB | Nozzle Boot Kit | Nozzle boot, attaching hardware |
| KIT120BG | Inlet Flange Kit | Inlet flange (bung), attaching hardware, inlet seal, screen |
| KIT120SG | Inlet Gasket and Screen | Gasket for inlet (bung) and screen |
| KIT120SW | Switch Lever Kit | Switch lever, mounting hardware |

| Accessories | |
|--|--------------------------|
| Suction pipe material | N/A |
| Suction pipe length- extended/not extended | None |
| Nozzle- size | N/A*** |
| Nozzle- manual / automatic | N/A*** |
| Hose liquid materials compatibility | Oil, Gasoline, Diesel*** |
| Hose diameter | 3/4"*** |
| Hose length | N/A*** |
| Hose static wire (Y/N) | N/A*** |

| Logistics | |
|-----------|--------------------|
| UPC | 0-89404-21126-7*** |
| Length | 15.5" |
| Width | 10" |
| Height | 6.5" |

*4200G Series pumps models:

FR4204G, FR4210G, FR4211G, FR4205GE, FR4211GEBL, FR4211GEL, FR4210GEB

** "E" models are CE Certified for use in Europe.

*** Specification will vary with specific model chosen.

