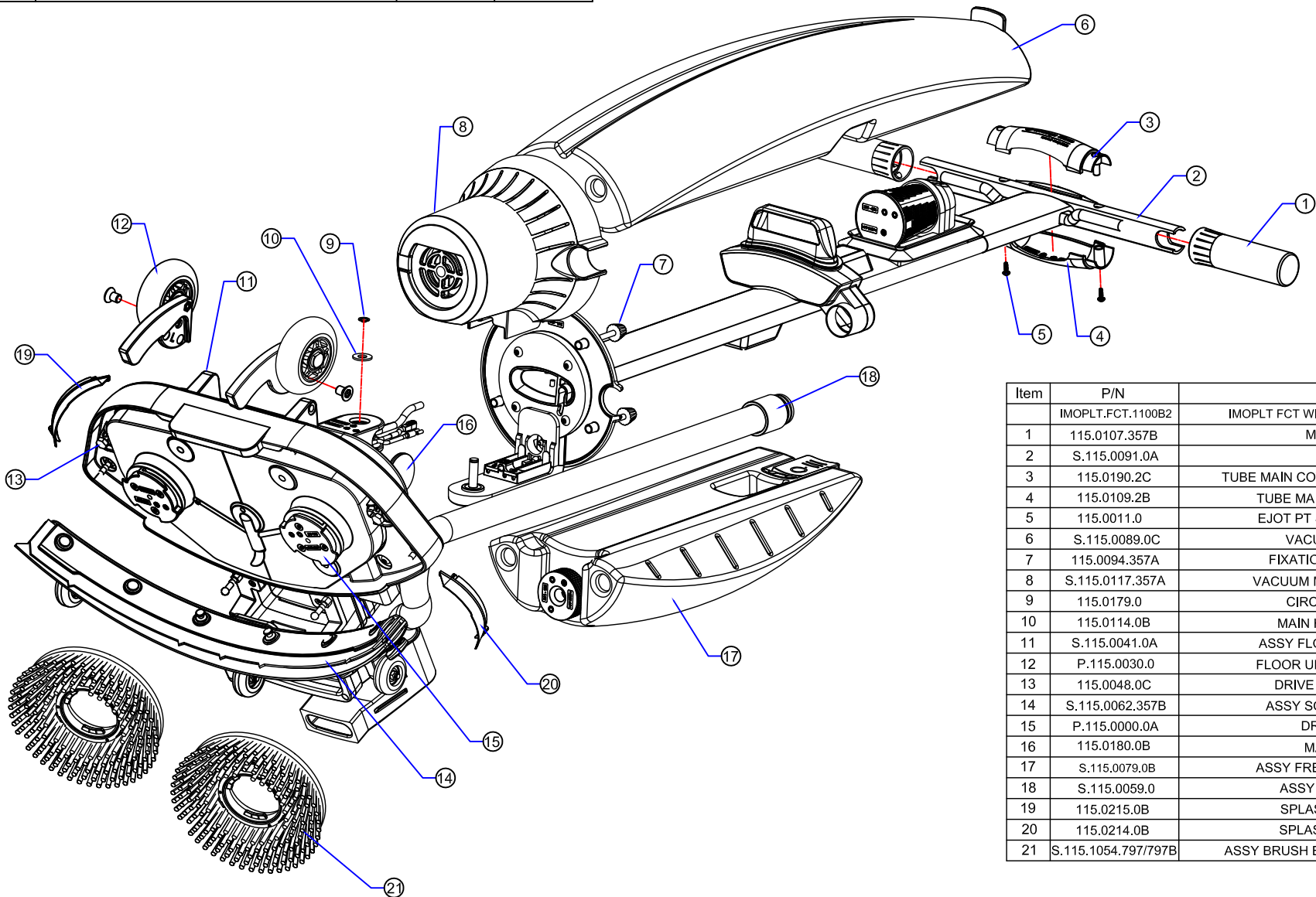


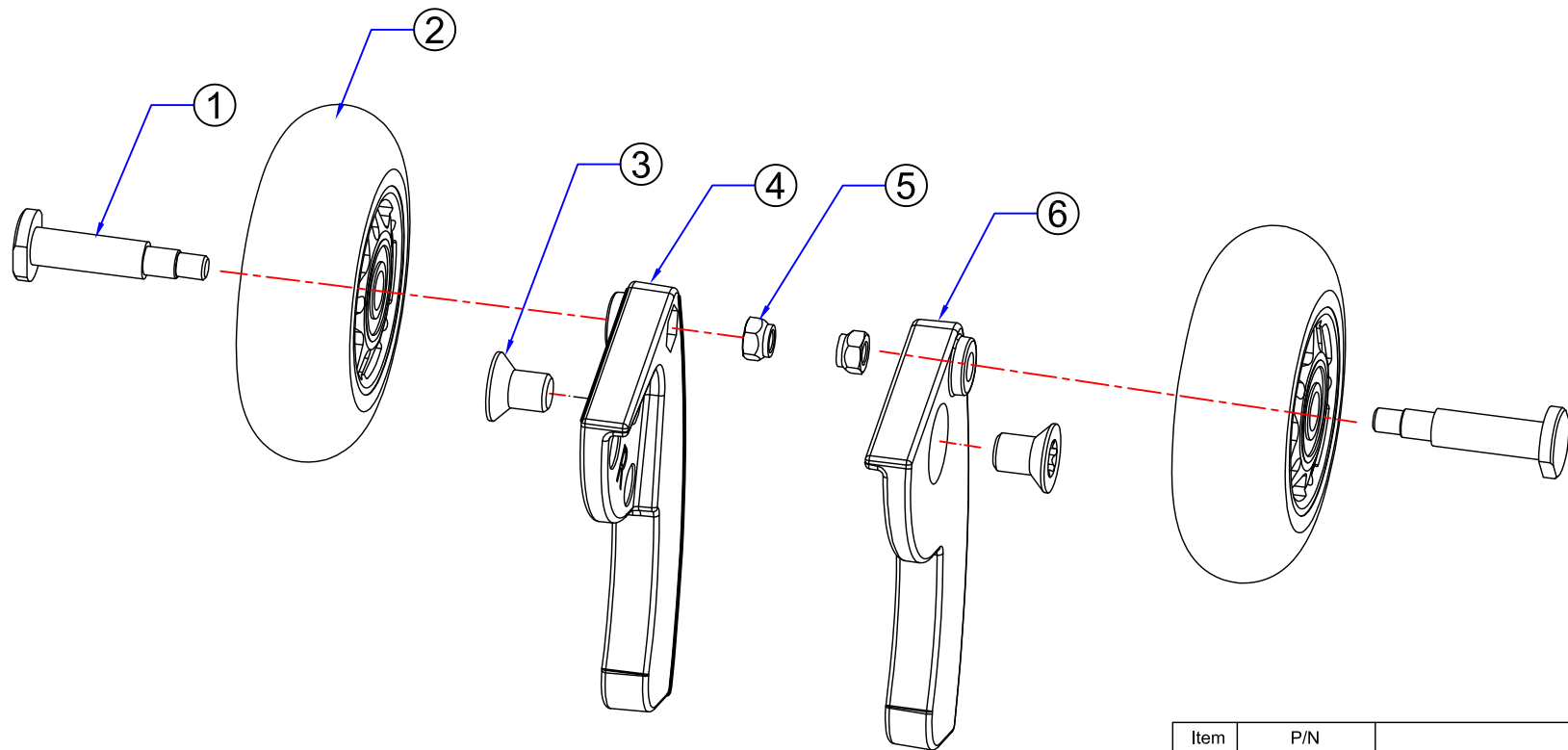
REVISION	1	2	3	4	5	6	7	8
	A	FIRST RELEASE	CONNIE	18/Jun/2020				



Item	P/N	Description	Qty.
	IMOPLT.FCT.1100B2	IMOPLT FCT WITH MOTOR & CHARGER & BATTERY	
1	115.0107.357B	MAIN GRIP GREY	1
2	S.115.0091.0A	ASSY TUBE	1
3	115.0190.2C	TUBE MAIN COVER FRONT IMOP LITE	1
4	115.0109.2B	TUBE MAIN COVER REAR WHITIE	1
5	115.0011.0	EJOT PT SCREW WN 5451 30X10	2
6	S.115.0089.0C	VACUUM TANK + PRINT	1
7	115.0094.357A	FIXATION FEET GREY P431C	4
8	S.115.0117.357A	VACUUM MOTOR HOISING BOTTOM	1
9	115.0179.0	CIRCLIP EXTERNAL 8.0	1
10	115.0114.0B	MAIN HINGE FIXATION DIS	1
11	S.115.0041.0A	ASSY FLOOR UNIT COMPLETE	1
12	P.115.0030.0	FLOOR UNIT TRANSPORT CASTOR XL	1
13	115.0048.0C	DRIVE MODULE FIXATION PIN	2
14	S.115.0062.357B	ASSY SQUEEGEE MAIN HOISING	1
15	P.115.0000.0A	DRIVE MODULE MOTOR	1
16	115.0180.0B	MAIN HINGE COVER	2
17	S.115.0079.0B	ASSY FRESH WATER TANK + PRINT	1
18	S.115.0059.0	ASSY MAIN SUCTION HOSE	1
19	115.0215.0B	SPLASH PROTECTION RIGHT	1
20	115.0214.0B	SPLASH PROTECTION LEFT	1
21	S.115.1054.797/797B	ASSY BRUSH BLUE BRISTLE BLUE LOCKER	2

TOLERANCE UNSPECIFIED		REMARK:		 东莞硕能塑胶模具有限公司 ASSEMBLY AND MOULDING OF CLEANING					
LINE	ANGLE	MATERIAL:							
.XXX	±0.005 X ±2°	APPROVED	CHECKED	DISGNE	REV	A	PART NAME	IMOPLITE FCT WITH MOTOR, W/O CHARGRER & BAT, BIG CASTOR	
.XX	±0.05 .X ±1.5°						PART NO	IMOPLT.FCT.1100B2	SIZE
.X	±0.1 .XX ±1°			CONNIE	UNIT	MM	DRAWING NO		A4
.	±0.2 .XXX ±0.5°								
XX	±0.5 ±1								
SHEET 1 OF 1		DATE		18/Jun/2020	SCALE	1:1			

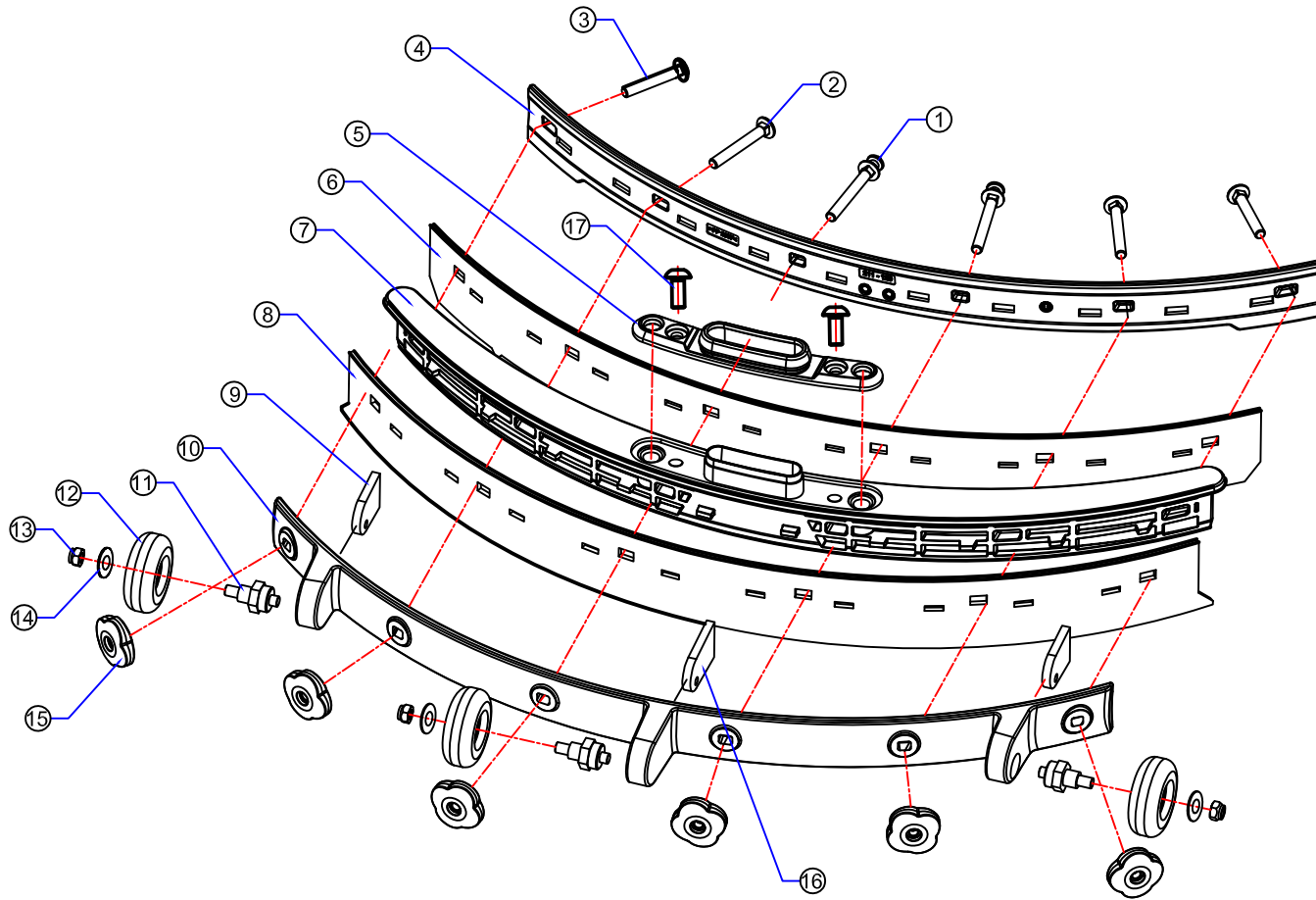
REVISION	DESCRIPTION	REVISED BY	DATE
A	FIRST RELEASE	CONNIE	18/Jun/2020



Item	P/N	Description	Qty.
	P.115.0030.0	FLOOR UNIT TRANSPORT CASTOR XL	
1	115.0199.0C	TRANSPORT CASTOR AXIS IMOPLITE	2
2	72.0029.2/797	WHITE CASTOR + BLUE BRACKET	2
3	115.0177.0	COUNTER SUNK BOLT M8 x 12	2
4	115.0030.0F	TRANSPORT WHEEL PILLAR RIGHT	1
5	04.0048.0	NUT M5 NYLON STAINLESS	2
6	115.0031.0F	TRANSPORT WHEEL PILLAR LEFT	1

TOLERANCE UNSPECIFIED		REMARK:		<p style="text-align: center;">SMT = FCT DONG GUAN THE FRIENDLY FAMILY 东莞硕能塑胶模具有限公司 ASSEMBLY AND MOULDING OF CLEANING</p>					
LINE	ANGLE	MATERIAL:							
.XXX ±0.005	X ±2°	APPROVED	CHECKED	DISGNER	REV	A	PART NAME	IMOPLITE FCT WITH MOTOR, W/O CHARGRE & BAT, BIG CASTOR	
.XX ±0.05	.X ±1.5°			CONNIE	UNIT	MM	PART NO	IMOPLT.FCT.1100B2	SIZE
.X ±0.1	.XX ±1°				SCALE	1:1	DRAWING NO		A4
. ±0.2	.XXX ±0.5°	SHEET 1 OF 1		DATE	18/Jun/2020				
XX ±0.5	±1								

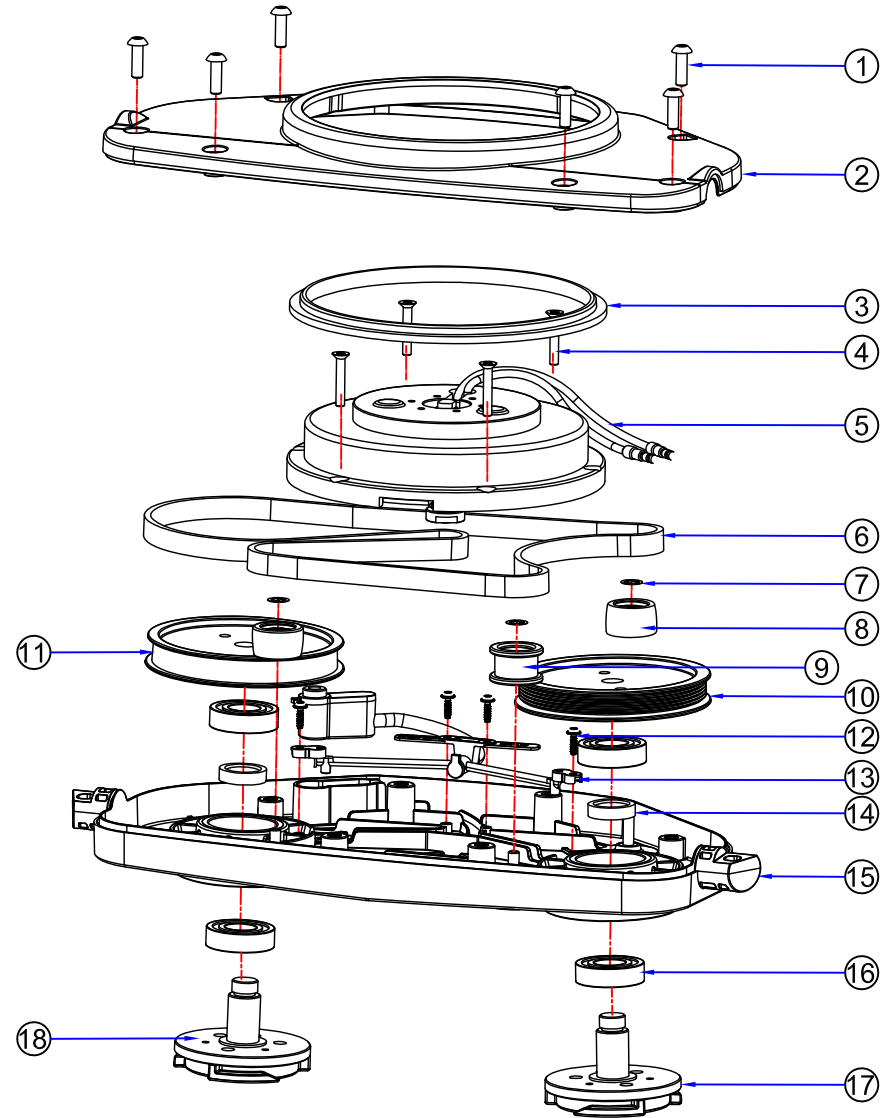
1	2	3	4	5	6	7	8
REVISION	DESCRIPTION	REVISED BY	DATE				PAGE
A	FIRST RELEASE	CONNIE	18/Jun/2020				3 / 30



Item	P/N	Description	Qty.
	S.115.0062.357B	ASSY SQUEEGEE MAIN HOUSING	
1	115.0069.0A	SQUEEGEE BOLT LARGE	2
2	115.0068.0A	SQUEEGEE BOLT MEDIUM	2
3	115.0067.0A	SQUEEGEE BOLT SMALL	2
4	115.0063.357C	SQUEEGEE FRONT HOUSING GREY P431C	1
5	115.0070.357C	SQUEEGEE BRACKET GREY P431C	1
6	115.0065.0C	SQUEEGEE FRONT AIROFLEX T=2.5MM PU BLUE	1
7	115.0062.357C	SQUEEGEE MAIN HOUSING GREY P431C	1
8	115.0066.0C	SQUEEGEE REAR T=2.5MM PU BLUE	1
9	115.0071.0A	SQUEEGEE CASTOR BRACKET SHORT	2
10	115.0064.357D	SQUEEGEE REAR HOUSING GREY P431C	1
11	115.0076.0D	SQUEEGEE CASTOR AXIS	3
12	115.0075.357A	SQUEEGEE CASTOR GREY P431C	3
13	04.0048.0	NUT M5 NYLON STAINLESS	3
14	00.0091.0	WASHER STAINLESS M5 5.1x12x1	3
15	115.0073.357A	SQUEEGEE FIXATION NUT GREY P431C	6
16	115.0072.0A	SQUEEGEE CASTOR BRACKET LONG	1
17	115.0095.0	CYLINDER ROUND HEAD CAP SCREW M5X12	2

TOLERANCE UNSPECIFIED		REMARK:		<p style="text-align: center;">SMT = FCT DONG GUAN THE FRIENDLY FAMILY 东莞硕能塑胶模具有限公司 ASSEMBLY AND MOULDING OF CLEANING</p>							
LINE	ANGLE	MATERIAL:									
.XXX	±0.005	X	±2°	APPROVED	CHECKED	DISGNED	REV	A	PART NAME	IMOPLITE FCT WITH MOTOR, W/O CHARGRE & BAT, BIG CASTOR	
.XX	±0.05	.X	±1.5°						PART NO	IMOPLT.FCT.1100B2	SIZE
.X	±0.1	.XX	±1°						DRAWING NO		A4
.	±0.2	.XXX	±1°								
XX	±0.5	.XXX	±0.5°								
	±1										
SHEET 1 OF 1		DATE				18/Jun/2020	SCALE	1:1			

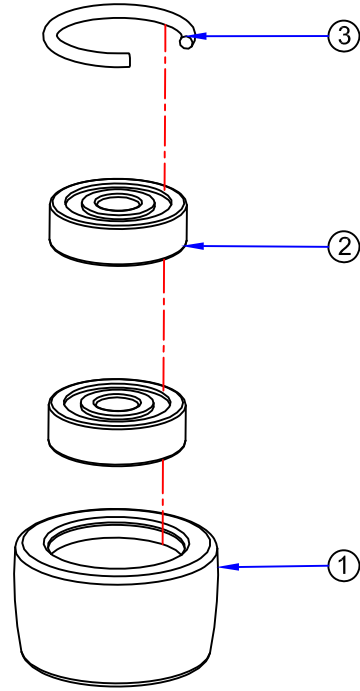
1	2	3	4	5	6	7	8
REVISION	DESCRIPTION	REVISED BY	DATE				
A	FIRST RELEASE	CONNIE	18/Jun/2020				



Item	P/N	Description	Qty.
	P.115.0000.0A	DRIVE MODULE MOTOR	
1	115.0012.0	CYLINDER ROUND HEAD CAP SCREW M5X16	6
2	115.0005.357C	DRIVE MODULE COVER GREY P431C	1
3	115.0003.0B	DRIVE MOTOR RUBBER	1
4	115.0002.0	COUNTER SUNK BOLT M4X25	4
5	S.115.0000.0A	ASSY DRIVE MODULE MOTOR	1
6	115.0004.0	PULLEY 864	1
7	115.0023.0	SELF LOCKING RING ZA 5	3
8	S.115.0009.0C	IDLER COMPLETE TYP C	2
9	S.115.0008.0C	ASSY IDLER TYP B	1
10	115.0006.0D	DRIVE PULLEY CW	1
11	115.0007.0E	DRIVE PULLEY CCW	1
12	115.0011.0	EJOT PT SCREW WN 5451 30X10	4
13	S.115.0020.357	ASSY DRIVE MODULE WATER DISTRIBUTOR	1
14	115.0097.0A	DRIVE MODULE CHASSIS BEARING SUPPORT RING	2
15	S.115.0010.357O	CHASSIS COMPLETE GREY P431C	1
16	115.0195.0	BALL BEARING 6002 2Z	4
17	S.115.0016.357A	ASSY BRUSH COUPLING CW GREY P431C	1
18	S.115.0017.357A	ASSY BRUSH COUPLING CCW GREY P431C	1

TOLERANCE UNSPECIFIED		REMARK:		<p style="text-align: center;">SMT = FCT DONG GUAN THE FRIENDLY FAMILY</p> <p style="text-align: center;">东莞硕能塑胶模具有限公司 ASSEMBLY AND MOULDING OF CLEANING</p>							
LINE	ANGLE	MATERIAL:									
.XXX	±0.005	X	±2°	APPROVED	CHECKED	DISGNE	REV	A	PART NAME	IMOPLTE KENTER W/O CHARGER & MOTOR DRIVER, SMALL CASTOR	SIZE
.XX	±0.05	.X	±1.5°				UNIT	MM	PART NO	IMOPLT.FCT.1100B2	A4
.X	±0.1	.XX	±1°				SCALE	1:1	DRAWING NO		
.	±0.2	.XXX	±0.5°								
XX	±0.5										
	±1										
SHEET 1 OF 1		DATE		18/Jun/2020		CONNIE					

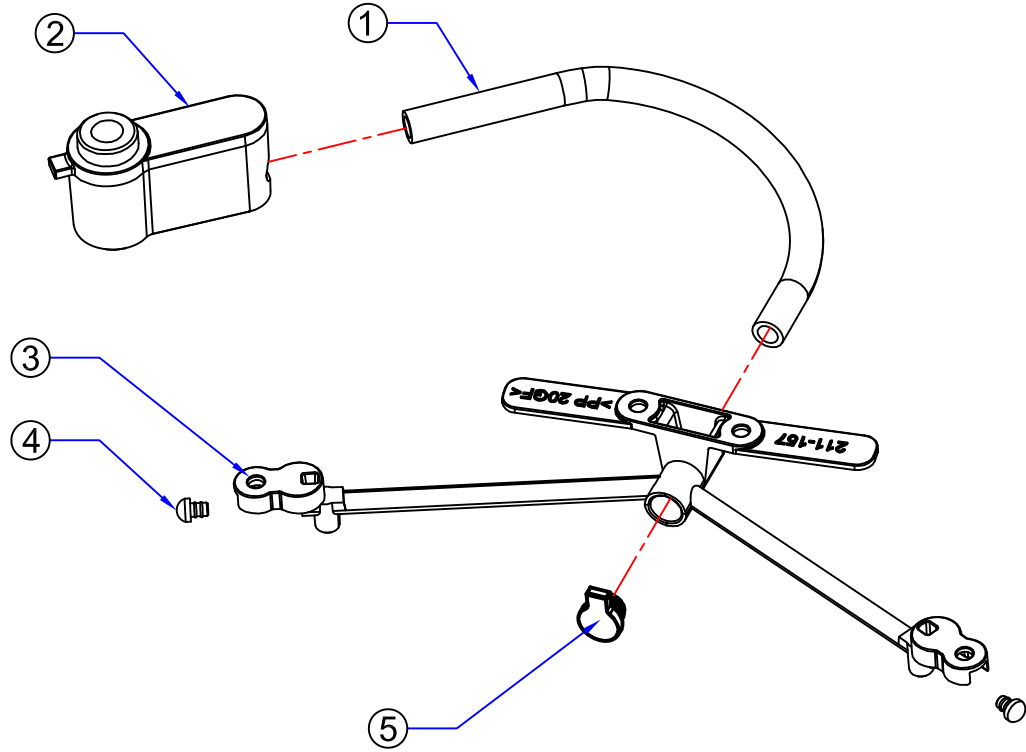
REVISION	1	DESCRIPTION	2	REVISED BY	3	DATE	4	5	6	7	8	PAGE	5 / 30
A		FIRST RELEASE		CONNIE		18/Jun/2020							



Item	P/N	Description	Qty.
	S.115.0009.0C	IDLER COMPLETE TYP C	
1	115.0009.0C	IDLER TYP C	1
2	115.0182.0	BALL BEARING 625 2Z	2
3	115.0183.0	SNAP RING CIRCLIP RB 16X1.6	1

TOLERANCE UNSPECIFIED		REMARK:		 THE FRIENDLY FAMILY 东莞硕能塑胶模具有限公司 ASSEMBLY AND MOULDING OF CLEANING					
LINE	ANGLE	MATERIAL:							
.XXX	±0.005 X ±2°	APPROVED	CHECKED	DISGNED	REV	A	PART NAME	IMOPLITE FCT WITH MOTOR, W/O CHARGRER & BAT, BIG CASTOR	
.XX	±0.05 .X ±1.5°			CONNIE	UNIT	MM	PART NO	IMOPLT.FCT.1100B2	SIZE
.X	±0.1 .XX ±1°				SCALE	1:1	DRAWING NO		A4
.	±0.2 .XXX ±0.5°	SHEET 1 OF 1		DATE	18/Jun/2020				
XX	±0.5 ±1								

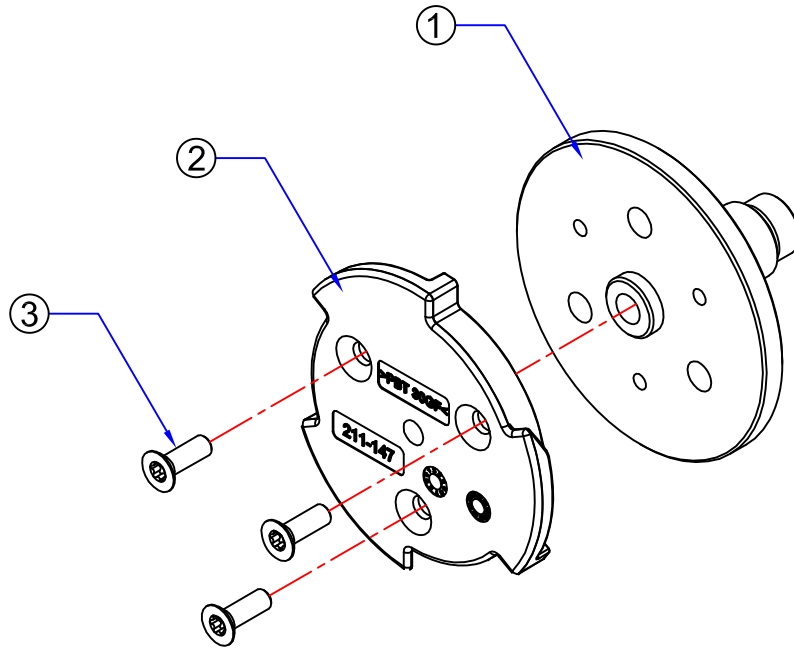
REVISION	1	DESCRIPTION	2	REVISED BY	3	DATE	4	5	6	7	8	PAGE	7 / 30
A		FIRST RELEASE		CONNIE		18/Jun/2020							



Item	P/N	Description	Qty.
	S.115.0020.357	ASSY DRIVE MODULE WATER DISTRIBUTOR	
1	115.0022.0	DRIVE MODULE HOSE EXTERNAL	1
2	115.0021.0A	DRIVE MODULE RUBBER COUPLING	1
3	115.0020.357D	DRIVE MODULE WATER DISTRIBUTOR GREY P431	1
4	115.0015.0B	DRIVE MODULE RUBBER END STOP	2
5	115.0014.0A	DRIVE MODULE RUBBER STOP	1

TOLERANCE UNSPECIFIED		REMARK:		 THE FRIENDLY FAMILY 东莞硕能塑胶模具有限公司 ASSEMBLY AND MOULDING OF CLEANING							
LINE	ANGLE	MATERIAL:									
.XXX	±0.005	X	±2°	APPROVED	CHECKED	DISGNE	REV	A	PART NAME	IMOPLITE FCT WITH MOTOR, W/O CHARGRER & BAT, BIG CASTOR	
.XX	±0.05	.X	±1.5°			CONNIE	UNIT	MM	PART NO	IMOPLT.FCT.1100B2	SIZE
.X	±0.1	.XX	±1°				SCALE	1:1	DRAWING NO		A4
.	±0.2	.XXX	±0.5°								
XX	±0.5										
	±1										
SHEET 1 OF 1		DATE				18/Jun/2020					

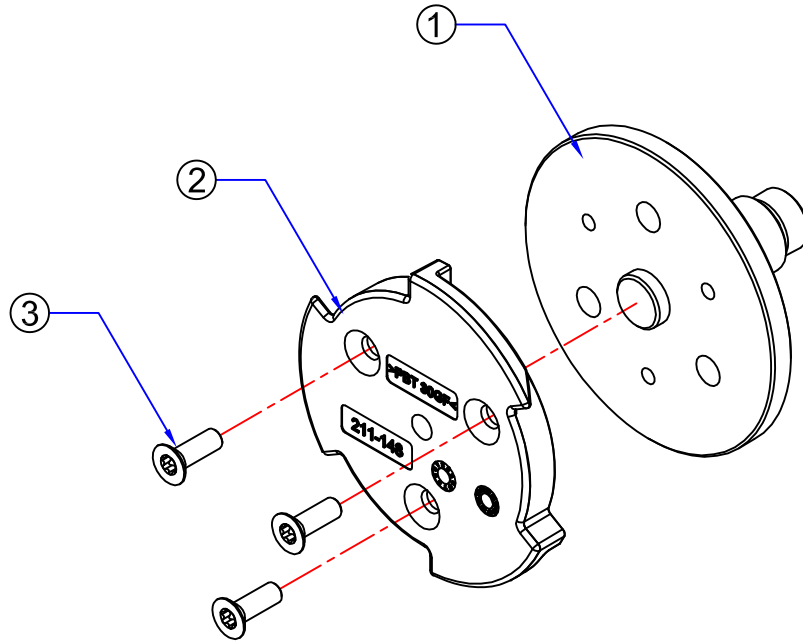
REVISION	DESCRIPTION	REVISED BY	DATE
A	FIRST RELEASE	CONNIE	18/Jun/2020



Item	P/N	Description	Qty.
	S.115.0016.357A	ASSY BRUSH COUPLING CW GREY P431C	
1	115.0018.0D	PULLEY AXIS CW	1
2	115.0016.357D	BRUSH COUPLING CW GREY P431C	1
3	115.0013.0	COUNTER SUNK BOLT M4X12	3

TOLERANCE UNSPECIFIED		REMARK:		 THE FRIENDLY FAMILY 东莞硕能塑胶模具有限公司 ASSEMBLY AND MOULDING OF CLEANING					
LINE	ANGLE	MATERIAL:							
.XXX	±0.005 X ±2°	APPROVED	CHECKED	DISGNED	REV	A	PART NAME	IMOPLITE FCT WITH MOTOR, W/O CHARGRER & BAT, BIG CASTOR	
.XX	±0.05 .X ±1.5°			CONNIE	UNIT	MM	PART NO	IMOPLT.FCT.1100B2	SIZE
.X	±0.1 .XX ±1°				SCALE	1:1	DRAWING NO		A4
.	±0.2 .XXX ±0.5°	SHEET 1 OF 1		DATE	18/Jun/2020				
XX	±0.5 ±1								

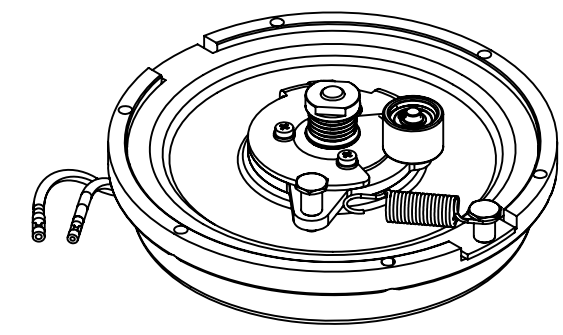
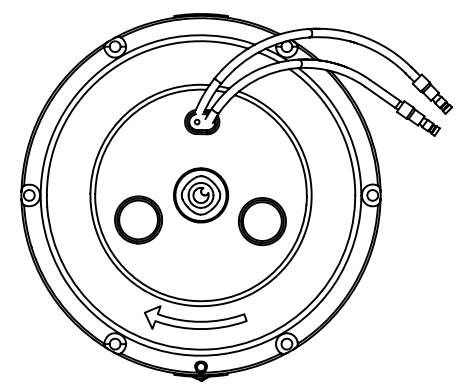
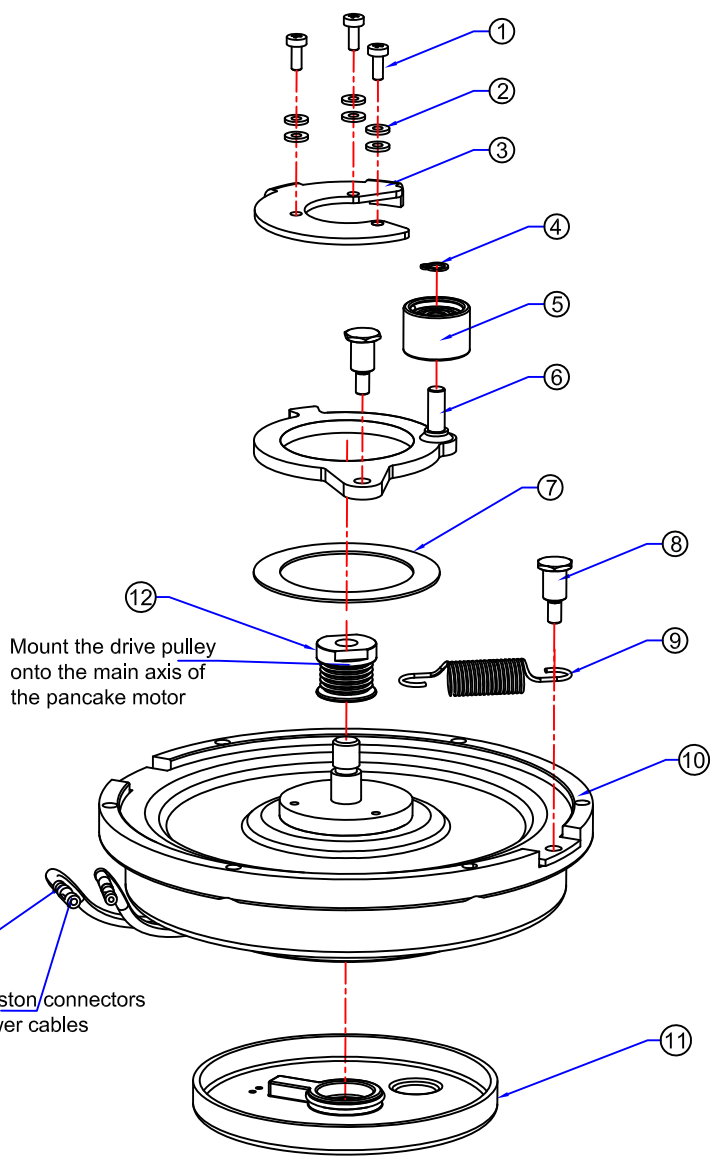
1	2	3	4	5	6	7	8	
REVISION	DESCRIPTION	REVISED BY	DATE					PAGE
A	FIRST RELEASE	CONNIE	18/Jun/2020					9 / 30



Item	P/N	Description	Qty.
	S.115.0017.357A	ASSY BRUSH COUPLING CCW GREY P431C	
1	115.0019.0D	PULLEY AXIS CW	1
2	115.0017.357D	BRUSH COUPLING CCW GREY P431C	1
3	115.0013.0	COUNTER SUNK BOLT M4X12	3

TOLERANCE UNSPECIFIED		REMARK:		<p style="text-align: center;">SMT = FCT DONG GUAN THE FRIENDLY FAMILY 东莞硕能塑胶模具有限公司 ASSEMBLY AND MOULDING OF CLEANING</p>							
LINE	ANGLE	MATERIAL:									
.XXX	±0.005	X	±2°	APPROVED	CHECKED	DISGNE	REV	A	PART NAME	IMOPLITE FCT WITH MOTOR, W/O CHARGRER & BAT, BIG CASTOR	
.XX	±0.05	.X	±1.5°			CONNIE	UNIT	MM	PART NO	IMOPLT.FCT.1100B2	SIZE
.X	±0.1	.XX	±1°				SCALE	1:1	DRAWING NO		A4
.	±0.2	.XXX	±0.5°	SHEET 1 OF 1		DATE					
XX	±0.5	.XXX	±0.5°								
	±1										

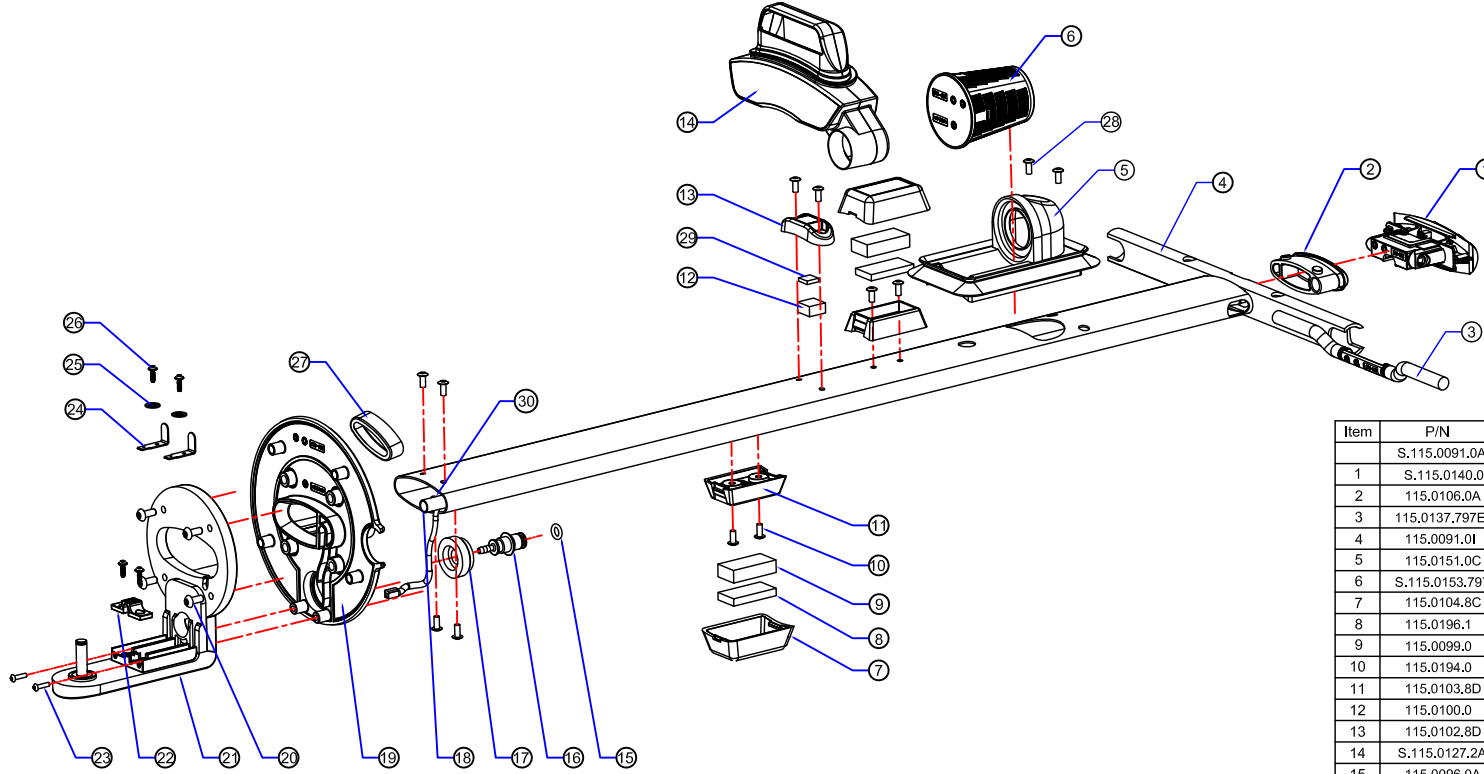
REVISION	1	DESCRIPTION	2	REVISED BY	3	DATE	4
A		FIRST RELEASE		CONNIE		18/Jun/2020	



Item	P/N	Description	Qty.
	S.115.0000.0A	ASSY DRIVE MODULE MOTOR	
1	115.0037.1	CYLINDER ROUND HEAD CAP SCREW M3 x 8 SUS304	3
2	24.0054.0	M3 SPRING WASHER	6
3	115.0230.0A	PULLEY TENSION FIXATION PLATE	1
4	115.0232.0	SELF LOCKING RING ZA 5	1
5	S.115.0231.0A	IDLER COMPLETE TYP C	1
6	115.0230.0B	PULLEY TENSION COMPLETE	1
7	115.0234.0B	PULLEY TENSION BEARING	1
8	115.0235.0B	PULLEY TENSION SPRING	1
9	115.0232.0	TENSION SPRING	1
10	115.0000.0K	DRIVE MODULE MOTOR	1
11	115.0241.797	MOTOR SEAL RUBBER COVER BLUE	1
12	115.0001.0B	DRIVE PULLEY	1
13	115.0174.0	FASTON ROUND CONNECTOR PLUG	2

TOLERANCE UNSPECIFIED		REMARK:		<p style="text-align: center;">SMT - FCT DONG GUAN THE FRIENDLY FAMILY 东莞硕能塑胶模具有限公司 ASSEMBLY AND MOULDING OF CLEANING</p>					
LINE	ANGLE	MATERIAL:							
.XXX ±0.005	X ±2°	APPROVED	CHECKED	DISGNED	REV	A	PART NAME	IMOPLITE FCT WITH MOTOR, W/O CHARGRE & BAT, BIG CASTOR	
.XX ±0.05	.X ±1.5°			CONNIE	UNIT	MM	PART NO	IMOPLT.FCT.1100B2	SIZE
.X ±0.1	.XX ±1°				SCALE	1:1	DRAWING NO		A4
. ±0.2	.XXX ±0.5°	SHEET 1 OF 1		DATE	18/Jun/2020				
XX ±0.5	±1								

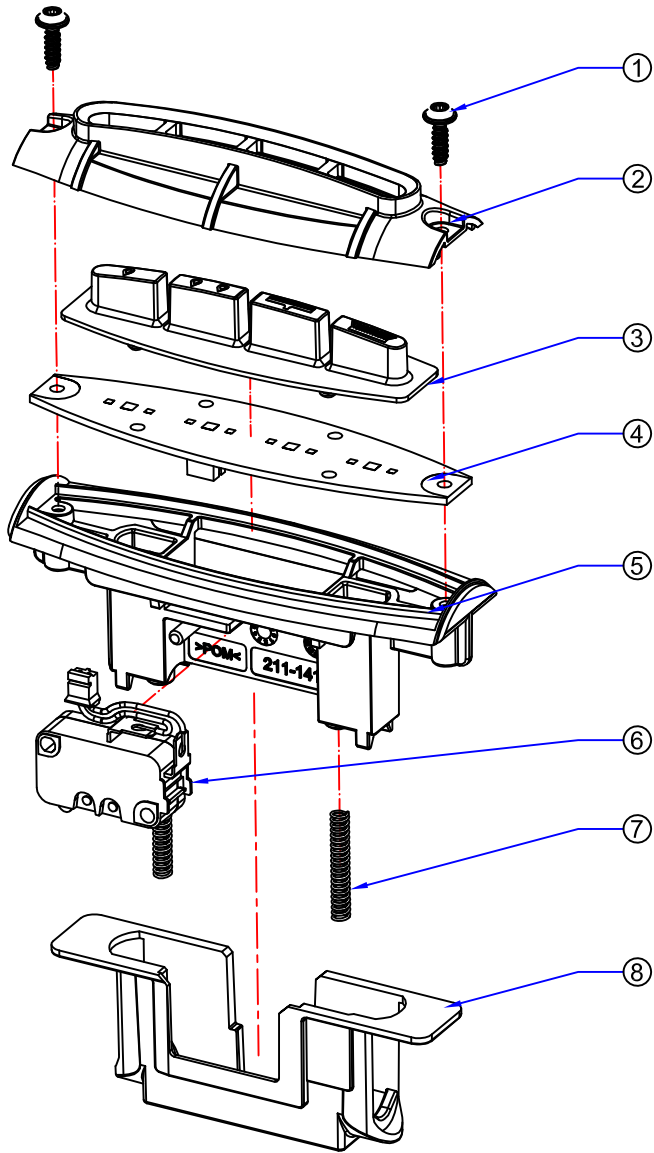
1	2	3	4	5	6	7	8	
REVISION	DESCRIPTION	REVISED BY	DATE					PAGE
A	FIRST RELEASE	CONNIE	18/Jun/2020					11 / 30



Item	P/N	Description	Qty.
	S.115.0091.0A	ASSY TUBE	
1	S.115.0140.0	ASSY CONTROL UNIT PCB	1
2	115.0106.0A	TUBE RUBBER	1
3	115.0137.797E	CONTROL UNIT HANDLE	1
4	115.0091.0I	TUBE	1
5	115.0151.0C	FLOAT TOP SEAL	1
6	S.115.0153.797	ASSY HOLLOW BALL 38	1
7	115.0104.8C	TANK HOLDER COVER YELLOW	2
8	115.0196.1	EVA WASHER 40X20X1.5	2
9	115.0099.0	NEODYMIUM MAGNET BLOCK 40X20X10	2
10	115.0194.0	CLOSED RIVET 4X10	10
11	115.0103.8D	TANK HOLDER FIXATION YELLOW	1
12	115.0100.0	NEODYMIUM MAGNET BLOCK 15X15X8	1
13	115.0102.8D	HOSE CONNECTOR HOLDER FIXATION YELLOW	1
14	S.115.0127.2A	ASSY HOSE CONNECTOR HOLDER BOTTOM	1
15	115.0096.0A	O-RING 6X3	1
16	115.0110.0C	WATER CONNECTOR MALE PIN	1
17	115.0111.0B	WATER CONNECTOR MALE RUBBER	1
18	115.0105.0	CONTROL UNIT CABLE COMPLETE	1
19	115.0093.357H	TUBE MAIN ADAPTER GREY P431C	1
20	115.0095.0	CYLINDER ROUND HEAD CAP SCREW M5X12	4
21	S.115.0092.357G	HINGE BRACKET GREY P431C	1
22	115.0116.357B	HINGE BRACKET COVER GREY P431C	1
23	115.0039.0	CYLINDER HEAD CAP SCREW M3X12	2
24	115.0115.0A	VACUUM MOTOR ELECTRO CONTACT LARGER	2
25	115.0208.0	PA WASHER 3X8X1MM	2
26	115.0011.0	EJOT PT SCREW WN 5451 30X10	4
27	115.0242.357	TUBE MAIN ADAPTER SEAL GREY	1
28	115.0039.1	SCREW ST3X20	2
29	115.0196.2	EVA WASHER 15x15x1.5MM	2
30	115.0113.2	CONTROL CABLE TUBE	1

TOLERANCE UNSPECIFIED		REMARK:		 东莞硕能塑胶模具有限公司 ASSEMBLY AND MOULDING OF CLEANING				
LINE	ANGLE	MATERIAL:						
.XXX	±0.005 X ±2°	APPROVED	CHECKED	DISGNED	REV	A	PART NAME	IMOPLTE FCT WITH MOTOR, W/O CHARGREER & BAT, BIG CASTOR
.XX	±0.05 .X ±1.5°			CONNIE	UNIT	MM	PART NO	IMOPLT.FCT.1100B2
.X	±0.1 .XX ±1°				SCALE	1:1	DRAWING NO	SIZE
.	±0.2 .XXX ±0.5°							
XX	±0.5 ±1							
SHEET 1 OF 1		DATE		18/Jun/2020				A4

1	2	3	4	5	6	7	8
REVISION	DESCRIPTION	REVISED BY	DATE				
A	FIRST RELEASE	CONNIE	18/Jun/2020				



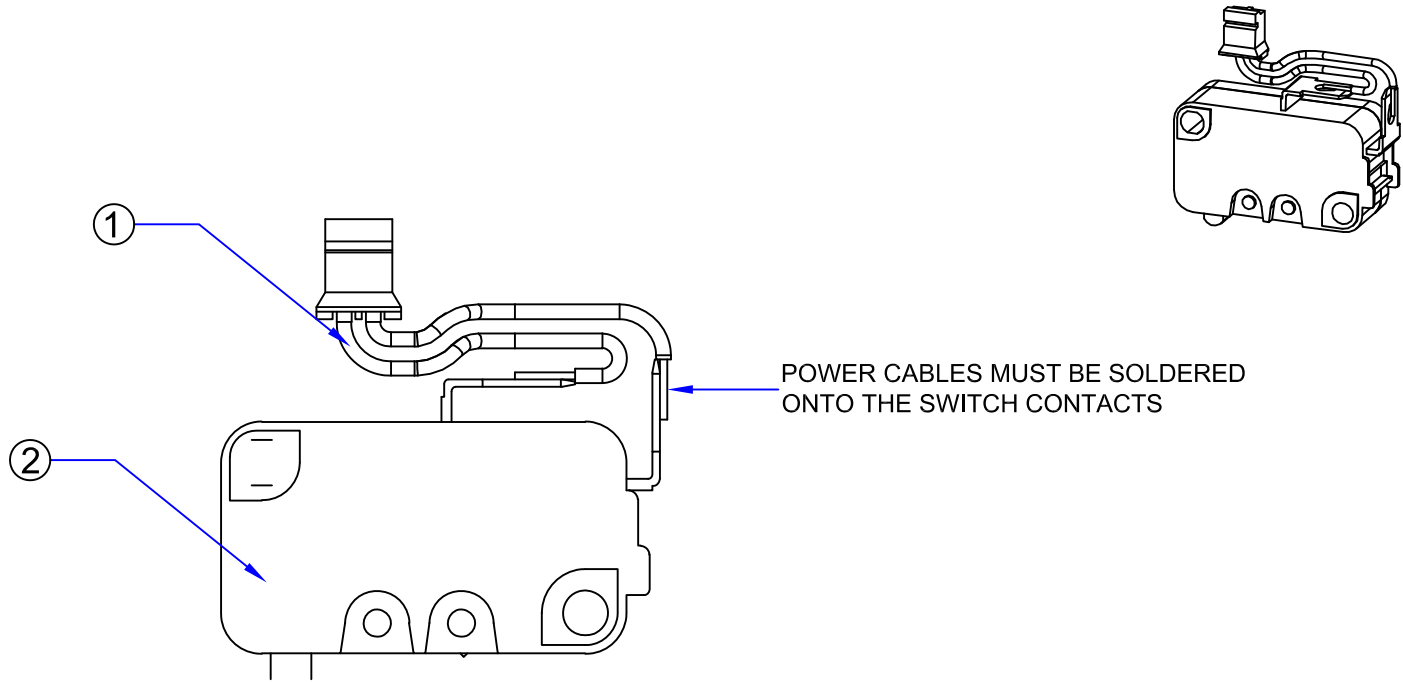
Item	P/N	Description	Qty.
	S.115.0140.0	ASSY CONTROL UNIT PCB	
1	115.0011.0	EJOT PT SCREW WN 5451 30X10	2
2	115.0134.2B	CONTROL UNIT KEY PAD FRAME WHITE	1
3	115.1138.0B	CONTROL UNIT KEY PAD	1
4	115.0135.0B	CONTROL UNIT PCB	1
5	115.0136.0E	CONTROL UNIT PCB FRAME	1
6	S.115.0139.0	ASSY CONTROL UNIT POWER SWITCH	1
7	115.0133.0	COMPRESSION SPRING 2.7X3.7X23.5	2
8	115.0140.0G	CONTROL UNIT HANDLE FRAME	1

TOLERANCE UNSPECIFIED		REMARK:		 东莞硕能塑胶模具有限公司 ASSEMBLY AND MOULDING OF CLEANING							
LINE	ANGLE	MATERIAL:									
.XXX	±0.005	X	±2°	APPROVED	CHECKED	DISGNER	REV	A	PART NAME	IMOPLITE FCT WITH MOTOR, W/O CHARGER & BAT, BIG CASTOR	
.XX	±0.05	.X	±1.5°			CONNIE	UNIT	MM	PART NO	IMOPLT.FCT.1100B2	SIZE
.X	±0.1	.XX	±1°				SCALE	1:1	DRAWING NO		A4
.	±0.2	.XXX	±0.5°								
XX	±0.5										
	±1										
SHEET 1 OF 1		DATE		18/Jun/2020							

A
B
C
D
E

A
B
C
D
E

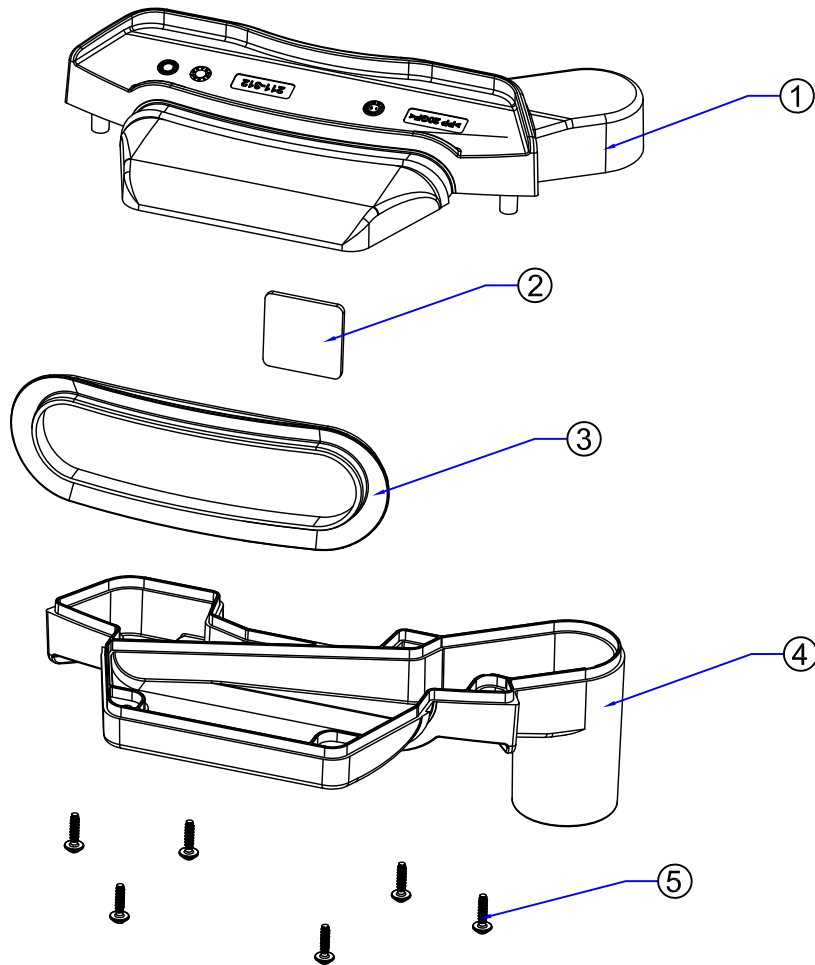
REVISION	DESCRIPTION	REVISED BY	DATE	PAGE	13 / 30
A	FIRST RELEASE	CONNIE	18/Jun/2020		



Item	P/N	Description	Qty.
	S.115.0139.0	ASSY CONTROL UNIT POWER SWITCH	
1	115.0139.0	CONTROL UNIT POWER SWITCH	1
2	72.0060.2	POWER SWITCH CONTROL UNIT OMORON	1

TOLERANCE UNSPECIFIED		REMARK:		SMT = FCT DONG GUAN THE FRIENDLY FAMILY 东莞硕能塑胶模具有限公司 ASSEMBLY AND MOULDING OF CLEANING							
LINE	ANGLE	MATERIAL:									
.XXX	±0.005	X	±2°	APPROVED	CHECKED	DISGNED	REV	A	PART NAME	IMOPLITE FCT WITH MOTOR, W/O CHARGRER & BAT, BIG CASTOR	
.XX	±0.05	.X	±1.5°			CONNIE	UNIT	MM	PART NO	IMOPLT.FCT.1100B2	SIZE
.X	±0.1	.XX	±1°				SCALE	1:1	DRAWING NO		A4
.	±0.2	.XXX	±0.5°								
XX	±0.5										
	±1										
SHEET 1 OF 1		DATE		18/Jun/2020							

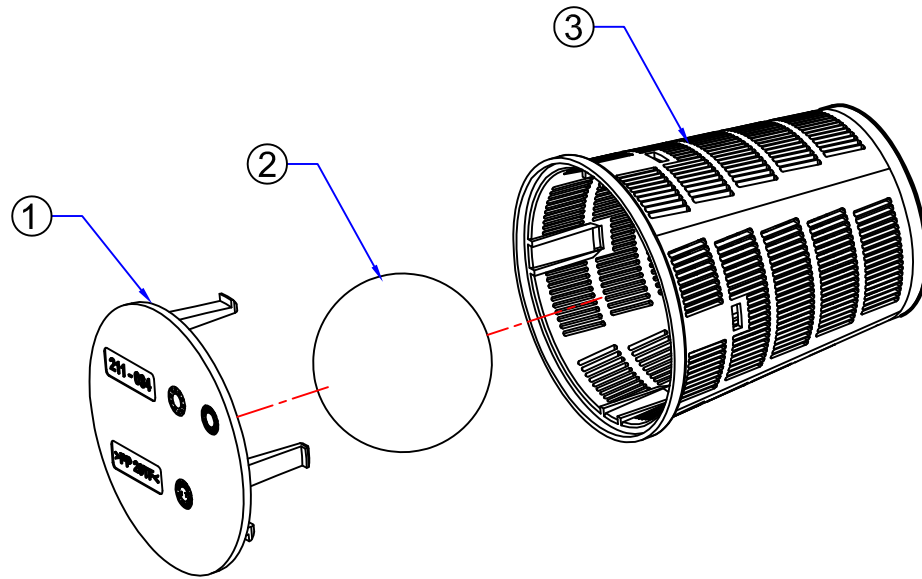
REVISION	1	DESCRIPTION	2	REVISED BY	3	DATE	4
A		FIRST RELEASE		CONNIE		18/Jun/2020	



Item	P/N	Description	Qty.
	S.115.0127.2A	ASSY HOSE CONNECTOR HOLDER BOTTOM	
1	115.0246.2	HOSE CONNECTOR HOLDER TOP	1
2	115.0132.0B	HOSE CONNECTOR HOLDER PLATE	1
3	115.0131.0B	HOSE CONNECTOR HOLDER SEAL	1
4	115.0247.2	HOSE CONNECTOR HOLDER BOTTOM	1
5	115.0011.0	EJOT PT SCREW WN 5451 30X10	6

TOLERANCE UNSPECIFIED		REMARK:		<p style="text-align: center;">SMT = FCT DONG GUAN THE FRIENDLY FAMILY 东莞硕能塑胶模具有限公司 ASSEMBLY AND MOULDING OF CLEANING</p>							
LINE	ANGLE	MATERIAL:									
.XXX	±0.005	X	±2°	APPROVED	CHECKED	DISGNE	REV	A	PART NAME	IMOPLITE FCT WITH MOTOR, W/O CHARGRER & BAT. BIG CASTOR	
.XX	±0.05	.X	±1.5°			CONNIE	UNIT	MM	PART NO	IMOPLT.FCT.1100B2	SIZE
.X	±0.1	.XX	±1°				SCALE	1:1	DRAWING NO		A4
.	±0.2	.XXX	±0.5°								
XX	±0.5	.XXX	±0.5°								
	±1										
SHEET 1 OF 1		DATE		18/Jun/2020							

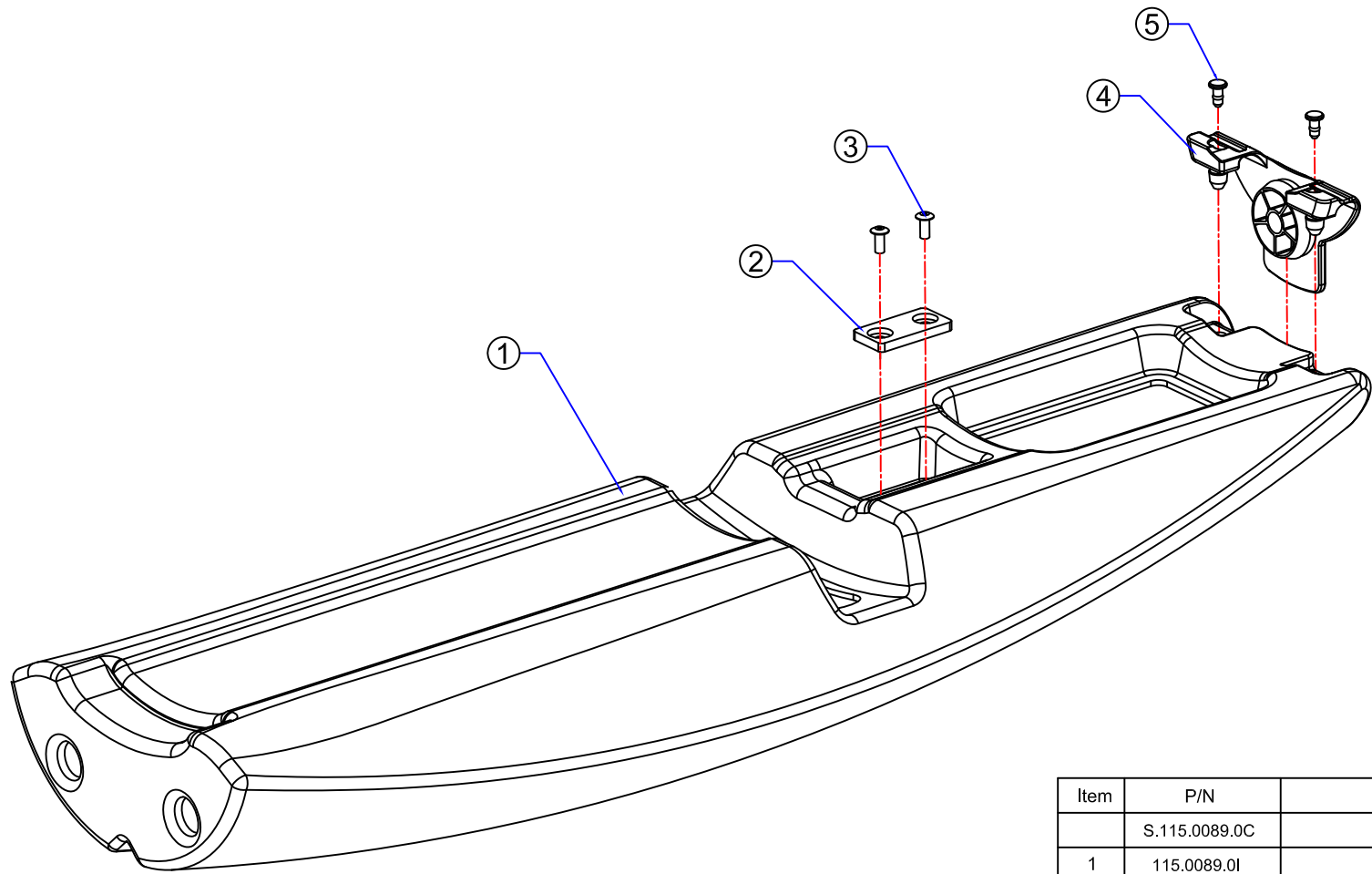
REVISION	DESCRIPTION	REVISED BY	DATE
A	FIRST RELEASE	CONNIE	18/Jun/2020



Item	P/N	Description	Qty.
	S.115.0153.797	ASSY HOLLOW BALL 38	
1	115.0152.797A	TOP UNIT FLOAT BOTTOM BLUE P312C	1
2	115.0153.2	WHITE HOLLOW BALL 38	1
3	115.0154.797A	BLUE P312C TOP UNIT FLOAT HOUSING	1

TOLERANCE UNSPECIFIED		REMARK:		SMT = FCT DONG GUAN THE FRIENDLY FAMILY 东莞硕能塑胶模具有限公司 ASSEMBLY AND MOULDING OF CLEANING							
LINE	ANGLE	MATERIAL:									
.XXX	±0.005	X	±2°	APPROVED	CHECKED	DISGNED	REV	A	PART NAME	IMOPLITE FCT WITH MOTOR, W/O CHARGRER & BAT, BIG CASTOR	
.XX	±0.05	.X	±1.5°				UNIT	MM	PART NO	IMOPLT.FCT.1100B2	SIZE
.X	±0.1	.	±1°				SCALE	1:1	DRAWING NO		A4
.	±0.2	.XX	±1°								
XX	±0.5	.XXX	±0.5°								
	±1										
SHEET 1 OF 1		DATE		18/Jun/2020							

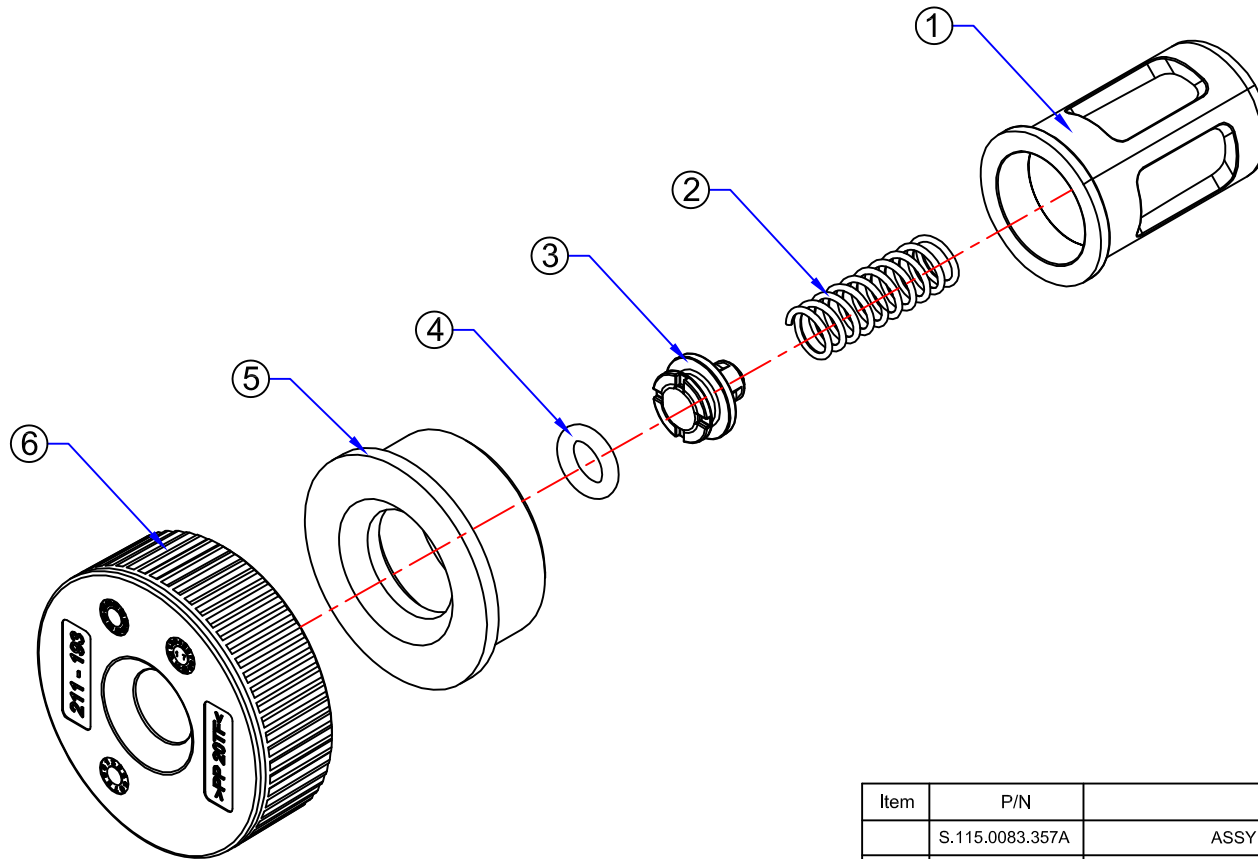
REVISION	1	DESCRIPTION	2	REVISED BY	3	DATE	4
A		FIRST RELEASE		CONNIE		18/Jun/2020	



Item	P/N	Description	Qty.
	S.115.0089.0C	ASSY VACUUM TANK + PRINT	
1	115.0089.0I	VACUUM TANK + PRINT	1
2	115.0080.0C	TANK HOLDER PLATE	1
3	115.0194.0	CLOSED RIVET 4X10	2
4	115.0090.0D	VACUUM TANK OPENING COVER	1
5	115.0181.0A	PRESS STUD	2

TOLERENCE UNSPECIFIED		REMARK:		 THE FRIENDLY FAMILY 东莞硕能塑胶模具有限公司 ASSEMBLY AND MOULDING OF CLEANING							
LINE	ANGLE	MATERIAL:									
.XXX	±0.005	X	±2°	APPROVED	CHECKED	DISGNE	REV	A	PART NAME	IMOPLITE FCT WITH MOTOR, W/O CHARGRER & BAT, BIG CASTOR	
.XX	±0.05	.X	±1.5°			CONNIE	UNIT	MM	PART NO	IMOPLT.FCT.1100B2	SIZE
.X	±0.1	.XX	±1°				SCALE	1:1	DRAWING NO		A4
.	±0.2	.XXX	±0.5°								
XX	±0.5		±1								
				SHEET 1 OF 1		DATE					

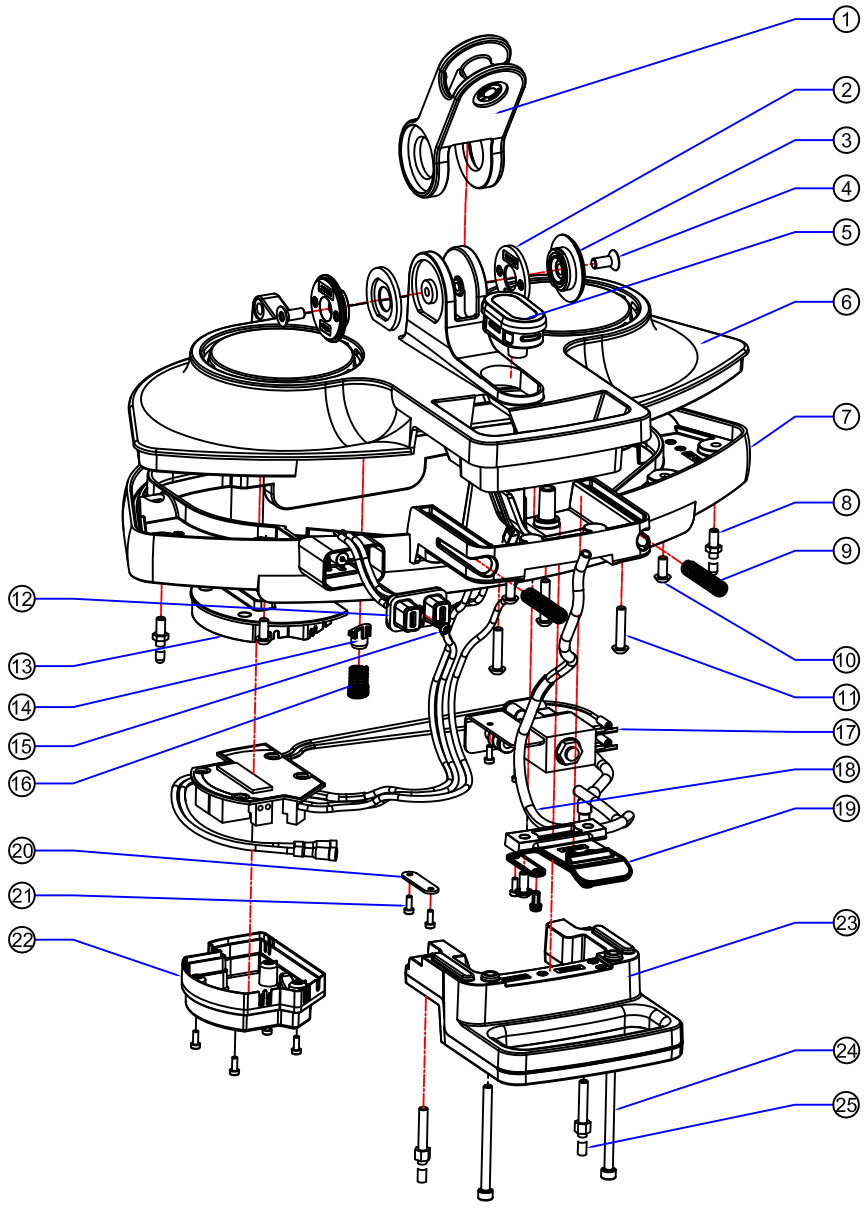
REVISION	DESCRIPTION	REVISED BY	DATE
A	FIRST RELEASE	CONNIE	18/Jun/2020



Item	P/N	Description	Qty.
	S.115.0083.357A	ASSY WATER CONNECTOR FEMALE FILTER	
1	115.0083.357D	WATER CONNECTOR FEMALE FILTER GREY P431	1
2	115.0085.0	COMPRESSION SPRING 7X9X28.5	1
3	115.0087.0B	WATER CONNECTOR FEMALE VALVE	1
4	115.0210.0	O-RING 7X2.5	1
5	115.0088.0B	WATER CONNECTOR FEMALE RUBBER	1
6	115.0086.2D	WATER CONNECTOR FEMALE CAP WHITE	1

TOLERANCE UNSPECIFIED		REMARK:		<p style="text-align: center;">SMT = FCT DONG GUAN THE FRIENDLY FAMILY</p> <p style="text-align: center;">东莞硕能塑胶模具有限公司 ASSEMBLY AND MOULDING OF CLEANING</p>					
LINE	ANGLE	MATERIAL:							
.XXX	±0.005 X ±2°	APPROVED	CHECKED	DISIGNED	REV	A	PART NAME	IMOPLITE FCT WITH MOTOR, W/O CHARGRER & BAT, BIG CASTOR	
.XX	±0.05 .X ±1.5°			CONNIE	UNIT	MM	PART NO	IMOPLT.FCT.1100B2	SIZE
.X	±0.1 .XX ±1°				SCALE	1:1	DRAWING NO		A4
.	±0.2 .XXX ±0.5°	SHEET 1 OF 1		DATE	18/Jun/2020				
XX	±0.5 ±1								

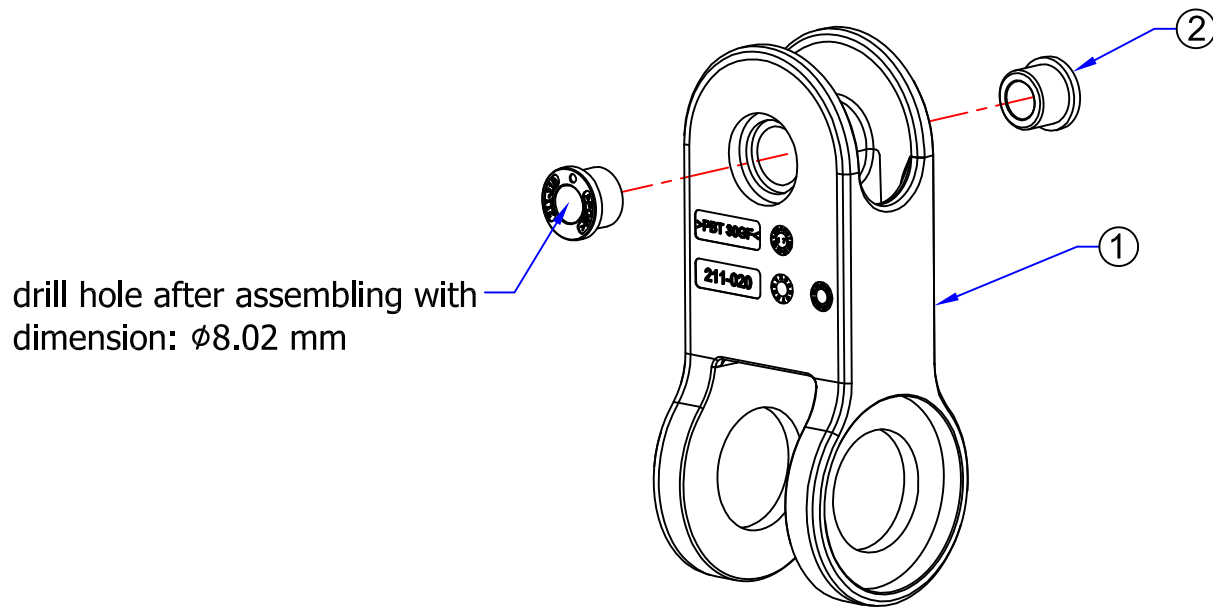
1	2	3	4	5	6	7	8
REVISION	DESCRIPTION	REVISED BY	DATE				
A	FIRST RELEASE	CONNIE	18/Jun/2020				



Item	P/N	Description	Qty.
	S.115.0041.0A	ASSY FLOOR UNIT COMPLETE	
1	S.115.0052.357A	ASSY MAIN HINGE	1
2	115.0057.0A	FLOOR UNIT BEARING DISC	2
3	115.0056.0A	FLOOR UNIT BEARING BUSH	2
4	115.0172.0	SCREW M6X14	2
5	S.115.0159.8	MAGNET SHELL WIRE HOLE	1
6	115.0041.0J	FLOOR UNIT MAIN COVER	1
7	115.0026.2I	PROTECTION BUMPER	1
8	115.0173.0A	SPLASING PROTECTION FIXATION PIN	4
9	115.0042.0A	COMPRESSION SPRING 7X9X45.5	2
10	115.0095.0	CYLINDER ROUND HEAD CAP SCREW M5X12	5
11	115.0043.0	CYLINDER ROUND HEAD CAP SCREW M5X25	3
12	S.115.0028.357	ASSY SPRING CONTACT PCB	1
13	115.0051.2E	ELECTRONIC BOX BOTTOM WHITE	1
14	115.0047.0E	FLOOR UNIT SPRING SUPPORT	1
15	115.0011.0	EJOT PT SCREW WN 5451 30X10	1
16	115.0046.1	FLOOR UNIT SPRING	1
17	S.115.0049.0C	FLOOR UNIT PCB	1
18	115.0112.0	MAIN WATER HOSE	1
19	115.0045.797E	FLOOR UNIT BATTERY PACK CLIP BLUE P312C	1
20	115.0171.0A	CABLE HOLDER PLATE	2
21	115.0037.0	SOCKET HEAD CAP SCREW TORX M3X8	4
22	115.0050.2B	ELECTRONIC BOX COVER WHITE	11
23	S.115.0160.797	FLOOR UNIT HANDLE GRIP	1
24	115.0178.0A	SOCKET HEAD CAP SCREW TORX M5 x 65	2
25	115.0044.0B	SQUEEGEE FIXATION PIN	2

TOLERANCE UNSPECIFIED		REMARK:		<p style="text-align: center;">SMT = FCT DONG GUAN THE FRIENDLY FAMILY 东莞硕能塑胶模具有限公司 ASSEMBLY AND MOULDING OF CLEANING</p>							
LINE	ANGLE	MATERIAL:									
.XXX	±0.005	X	±2°	APPROVED	CHECKED	DISGNE	REV	A	PART NAME	IMOPLTE FCT WITH MOTOR, W/O CHARGER & BAT, BIG CASTOR	
.XX	±0.05	.X	±1.5°						PART NO	IMOPLT.FCT.1100B2	SIZE
.X	±0.1	.XX	±1°			CONNIE	UNIT	MM	DRAWING NO		A4
.XX	±0.2	.XXX	±0.5°								
	±0.5	.XXX	±0.5°								
	±1										
SHEET 1 OF 1		DATE		18/Jun/2020		SCALE		1:1			

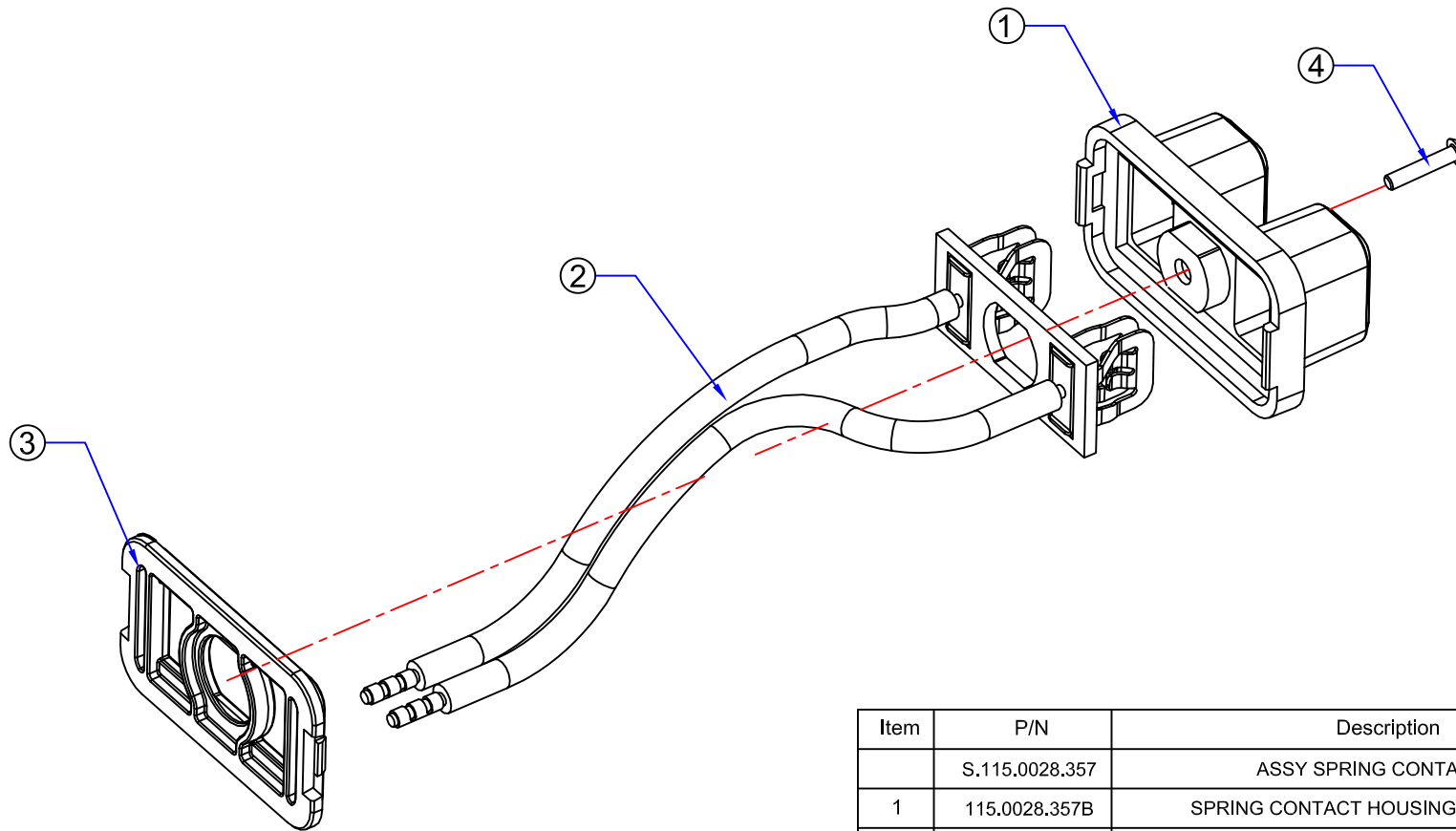
REVISION	1	DESCRIPTION	2	REVISED BY	3	DATE	4
A		FIRST RELEASE		CONNIE		18/Jun/2020	



Item	P/N	Description	Qty.
	S.115.0052.357A	Main hinge complete	
1	115.0052.357C	Main hinge	1
2	115.0053.0A	Main hinge bearing bush	2

TOLERANCE UNSPECIFIED		REMARK:		 东莞硕能塑胶模具有限公司 ASSEMBLY AND MOULDING OF CLEANING							
LINE	ANGLE	MATERIAL:									
.XXX	± 0.005	X	$\pm 2^\circ$	APPROVED	CHECKED	DISGNE	REV	A	PART NAME	IMOPLITE FCT WITH MOTOR, W/O CHARGRER & BAT, BIG CASTOR	
.XX	± 0.05	.X	$\pm 1.5^\circ$			CONNIE	UNIT	MM	PART NO	IMOPLT.FCT.1100B2	SIZE
.X	± 0.1	.	$\pm 1^\circ$				SCALE	1:1	DRAWING NO		A4
.XX	± 0.2	.XX	$\pm 1^\circ$								
	± 0.5	.XXX	$\pm 0.5^\circ$								
	± 1										
SHEET 1 OF 1		DATE		18/Jun/2020		SCALE		1:1		DRAWING NO	

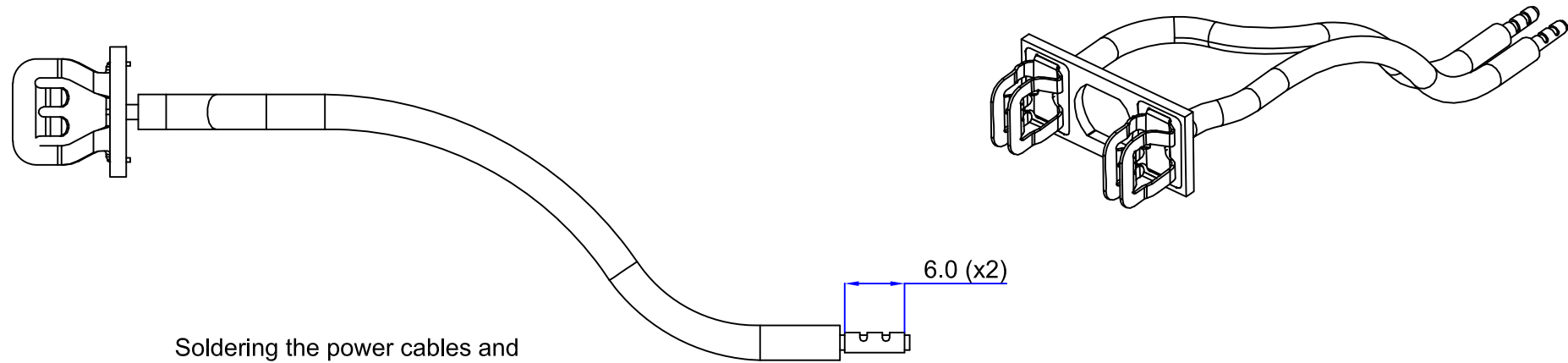
REVISION	1	DESCRIPTION	2	REVISED BY	3	DATE	4
A		FIRST RELEASE		CONNIE		18/Jun/2020	



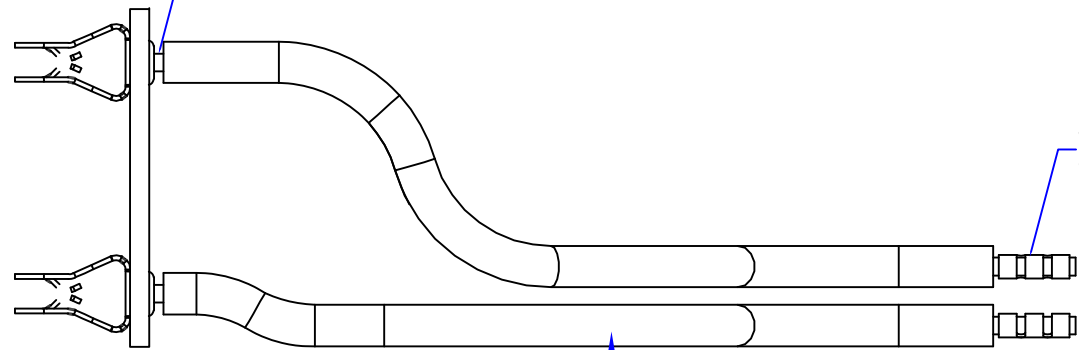
Item	P/N	Description	Qty.
	S.115.0028.357	ASSY SPRING CONTACT PCB	
1	115.0028.357B	SPRING CONTACT HOUSING GREY P431C	1
2	S.115.0027.0B	SPRING CONTACT PCB	1
3	115.0029.357B	SPRING CONTACT FRAME GREY P431C	1
4	115.0011.0	EJOT PT SCREW WN 5451 30X10	1

TOLERANCE UNSPECIFIED		REMARK:		<p style="text-align: center;">SMT = FCT DONG GUAN THE FRIENDLY FAMILY 东莞硕能塑胶模具有限公司 ASSEMBLY AND MOULDING OF CLEANING</p>							
LINE	ANGLE	MATERIAL:									
.XXX	±0.005	X	±2°	APPROVED	CHECKED	DISGNE	REV	A	PART NAME	IMOPLITE FCT WITH MOTOR, W/O CHARGRE & BAT, BIG CASTOR	
.XX	±0.05	.X	±1.5°						PART NO	IMOPLT.FCT.1100B2	SIZE
.X	±0.1	.XX	±1°						DRAWING NO		A4
.	±0.2	.XXX	±0.5°								
XX	±0.5	.XXX	±0.5°								
	±1										
SHEET 1 OF 1		DATE				18/Jun/2020	SCALE	1:1			

REVISION	DESCRIPTION	REVISED BY	DATE
A	FIRST RELEASE	CONNIE	18/Jun/2020



Soldering the power cables and the spring contacts onto the pcb



Crimp the terminal end lugs onto the power cables

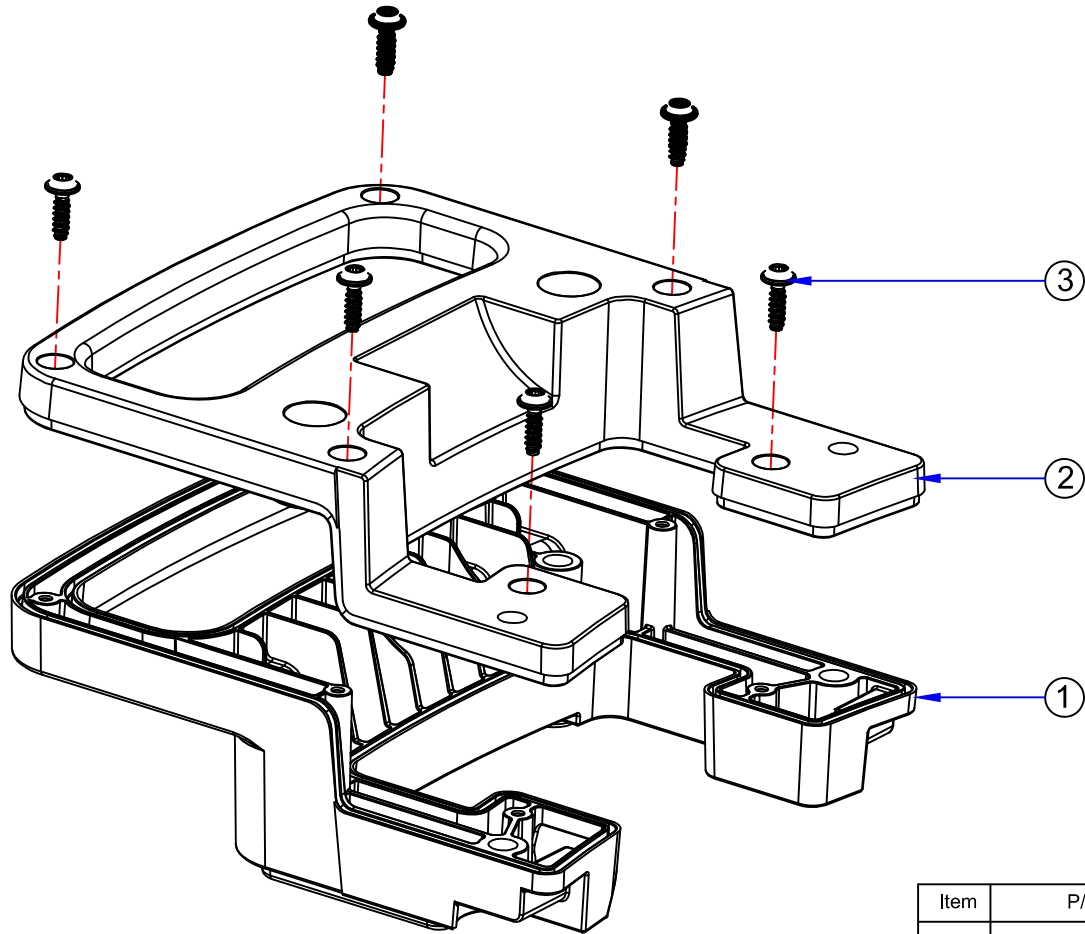
①

Item	P/N	Description	Qty.
	S.115.0027.0B	ASSY SPRING CONTACT PCB	
1	115.0027.0A	SPRING CONTACT PCB	1

TOLERANCE UNSPECIFIED		REMARK:		<p style="text-align: center;">SMT = FCT DONG GUAN THE FRIENDLY FAMILY 东莞硕能塑胶模具有限公司 ASSEMBLY AND MOULDING OF CLEANING</p>				
LINE	ANGLE							
.XXX	±0.005 X ±2°							
.XX	±0.05 .X ±1.5°							
.X	±0.1 .XX ±1°							
.	±0.2 .XX ±1°							
XX	±0.5 .XXX ±0.5°							
	±1							
SHEET 1 OF 1		DATE	18/Jun/2020	SCALE	1:1	DRAWING NO		

APPROVED	CHECKED	DISGNE	REV	A	PART NAME	IMOPLITE FCT WITH MOTOR, W/O CHARGRE & BAT, BIG CASTOR	
		CONNIE	UNIT	MM	PART NO	IMOPLT.FCT.1100B2	SIZE
							A4

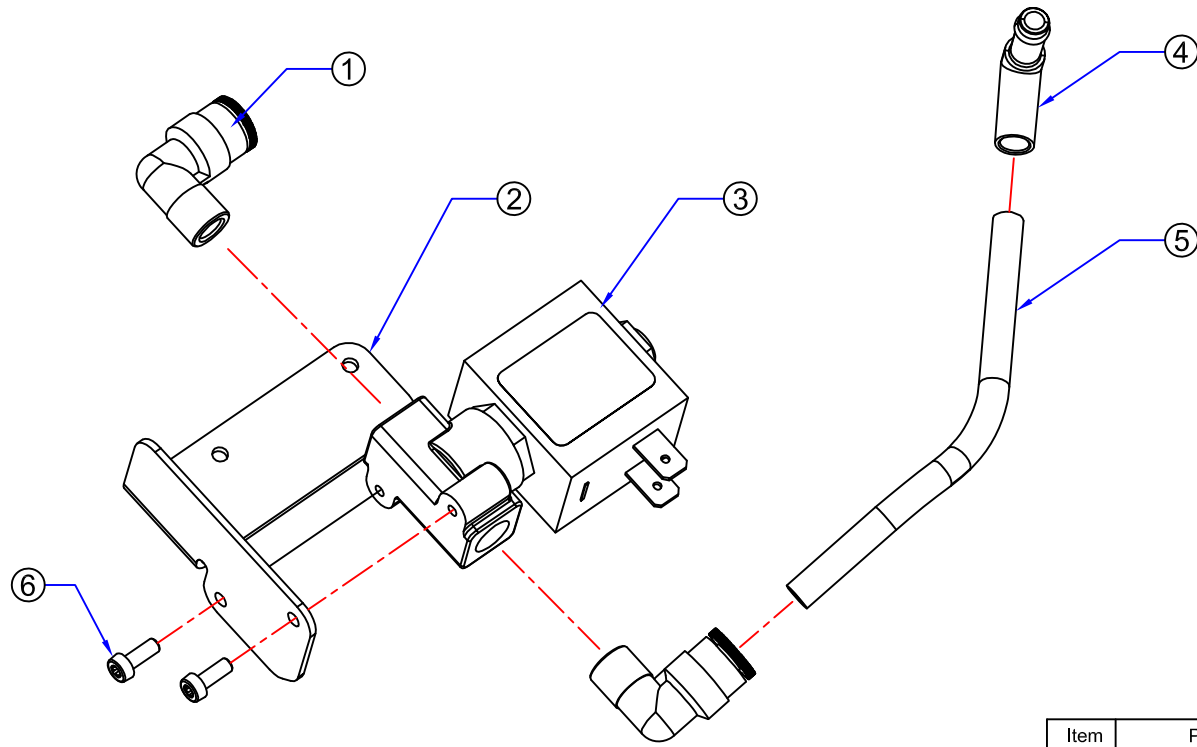
1	2	3	4	5	6	7	8
REVISION	DESCRIPTION	REVISED BY	DATE				PAGE
A	FIRST RELEASE	CONNIE	18/Jun/2020				26 / 30



Item	P/N	Description	Qty.
	S.115.0160.797	FLOOR UNIT HANDLE GRIP	
1	115.0161.797	FLOOR UNIT HANDLE GRIP BOTTOM	1
2	115.0160.797	FLOOR UNIT HANDLE GRIP TOP	1
3	115.0011.0	EJOT PT SCREW WN 5451 30X10	6

TOLERANCE UNSPECIFIED		REMARK:		<p style="text-align: center;">SMT = FCT DONG GUAN THE FRIENDLY FAMILY 东莞硕能塑胶模具有限公司 ASSEMBLY AND MOULDING OF CLEANING</p>							
LINE	ANGLE	MATERIAL:									
.XXX	±0.005	X	±2°	APPROVED	CHECKED	DISGNE	REV	A	PART NAME	IMOPLITE FCT WITH MOTOR, W/O CHARGRER & BAT, BIG CASTOR	
.XX	±0.05	.X	±1.5°			CONNIE	UNIT	MM	PART NO	IMOPLT.FCT.1100B2	SIZE
.X	±0.1	.XX	±1°				SCALE	1:1	DRAWING NO		A4
.	±0.2	.XXX	±0.5°								
XX	±0.5	.XXX	±0.5°								
	±1										
SHEET 1 OF 1		DATE		18/Jun/2020		SCALE		DRAWING NO			

REVISION	DESCRIPTION	REVISED BY	DATE	PAGE	28 / 30
A	FIRST RELEASE	CONNIE	18/Jun/2020		



Item	P/N	Description	Qty.
	S.115.0038.0	ASSY SOLENOID PARKER N74.4 FV	
1	115.0035.0	ANGLE METAL CONNECTOR	2
2	115.0038.0A	SOLENOID FIXATION PLATE	1
3	72.0026.6	MAGETIC VALVE PARKER	1
4	115.0024.357C	DRIVE MODULE WATER COUPLING GREY P431C	1
5	115.0022.0	DRIVE MODULE HOSE EXTERNAL	1
6	115.0037.0	SOCKET HEAD CAP SCREW TORX M3X8	4

TOLERANCE UNSPECIFIED		REMARK:		 东莞硕能塑胶模具有限公司 ASSEMBLY AND MOULDING OF CLEANING							
LINE	ANGLE	MATERIAL:									
.XXX	±0.005	X	±2°	APPROVED	CHECKED	DISGNED	REV	A	PART NAME	IMOPLITE FCT WITH MOTOR, W/O CHARGRE & BAT, BIG CASTOR	
.XX	±0.05	.X	±1.5°			CONNIE	UNIT	MM	PART NO	IMOPLT.FCT.1100B2	SIZE
.X	±0.1	.	±1°				SCALE	1:1	DRAWING NO		A4
.	±0.2	.XX	±1°								
XX	±0.5	.XXX	±0.5°								
	±1										
SHEET 1 OF 1		DATE		18/Jun/2020							

