

i-mop[®] XL Basic

Auto scrubber for hard floor surfaces

User manual



i-team Professional b.v.

Hoppenkuil 27b, 5626 DD Eindhoven, The Netherlands

Telephone: +31402662400

Email: hello@i-teamglobal.com

Internet: www.i-teamglobal.com





Original user manual, written in the English Language

Future Cleaning Technologies B.V.

Hoppenkuil 27b, 5626 DD Eindhoven, The Netherlands

Telephone: +31402662400

Email: hello@i-teamglobal.com

Internet: www.i-teamglobal.com

Model: i-mop XL Basic

Date: 28/04/2020

Product code: K.1.IMOPXLN.FCT.7

Version: 2.0



Preface

Thank you for choosing the i-mop® XL Basic, the industrial auto scrubber that cleans faster, cleaner, safer, greener, and is better for everyone. The i-mop XL Basic' compact design allows you to clean right to the edge and under obstacles, minimizing manual scrubbing. The battery operated i-mop XL Basic is equipped with two counter-rotating brushes that provide a deep scrub and a great cleaning result. The i-mop XL Basic significantly reduces the amount of water and chemicals needed which both leads to a greener result and reduces the risk of slippery floors.

Please read this manual carefully for important information and operating instructions before using the i-mop XL Basic. Save this manual for future reference. This i-mop XL Basic will provide excellent performance. The best results will be obtained when the i-mop XL Basic is:

- Regularly maintained per the i-mop XL Basic preventive maintenance instructions in this manual.
- Operated with reasonable care and caution.
- Maintained with manufacturer-supplied parts.

When this manual refers to “the manufacturer”, this means **Future Cleaning Technologies B.V.**, an affiliate company of i-team in Eindhoven, the Netherlands. When this manual mentions “the partner”, this refers to your local i-team resell and support service partner.

Purpose of the user manual

The purpose of the user manual is to provide the user with information in such a way that during the life of the i-mop XL Basic the machine is used correctly, efficiently and safely, even in the event of reasonably foreseeable misuse, as described in section 1.2 of this manual.

The user manual contains instructions regarding:

- Personal operator safety
- Intended and non-intended use of the i-mop XL Basic
- Instructions for daily use
- Maintenance instructions
- Storage conditions
- Disposal of the i-mop XL Basic

These instructions must be considered to avoid risks that could lead to physical and/or material damage.

Target audience

This user manual is intended for operators of the i-mop XL Basic and their supervisors, as well as partners and importers.








Operators of the i-mop XL Basic

The i-mop XL Basic may only be operated by a person who has correctly read and understood the instructions in this manual or is trained by an experienced operator who has read and understood the instructions in this manual.



Reading guide

The following symbols and terms are used throughout this manual to alert the reader to safety issues and important information:

Symbol	Term	Explanation
	WARNING	Indicates a hazardous situation which, if the safety instructions are not followed, can lead to injuries of the operator or bystanders and light or moderate damage to the product or the environment.
	CAUTION	Indicates a hazardous situation which, if the safety instructions are not followed, can lead to light and / or moderate damage to the product or the environment.
	ATTENTION	Indicates a liability situation, where the manufacturer or its partners and affiliates cannot be held accountable for damages caused by non-compliance.
	STRONG MAGNET	Indicates the machine contains strong magnets. These can cause pacemakers to stop working or cause electronic data to be damaged, such as information stored on access passes.
	PACEMAKER	Indicates operators and maintenance crew wearing pacemakers should keep a minimal distance of 6 in / 15 cm. In this specific case operators may not use the machine as a backpack.
	BATTERIES	Indicates a battery-operated machine, batteries must be charged according to the instructions in the separate class I battery charger user manual. Batteries must be disposed of according to your local laws and regulations.
	SLIPPERY SURFACE	Indicates the machine can cause floors to become slippery. In the workplace, it is advised to place slippery surface signs in these areas.



Content

Preface	3
Purpose of the user manual.....	3
Target audience	3
Operators of the i-mop XL Basic.....	3
Reading guide.....	4
1 Introduction.....	7
1.1 Intended use of the product.....	7
1.2 Non-intended use of the product.....	8
1.3 Lifespan.....	8
1.4 Modifications.....	8
1.5 Specifications.....	9
1.6 Warranty.....	10
1.7 Identification	10
2 Description	11
3 Safety.....	12
3.1 General safety instructions.....	12
3.1.1 Sweep before scrub.....	12
3.1.2 Brush condition	12
3.1.3 Machine orientation.....	12
3.1.4 Strong magnets	12
3.1.5 Batteries	12
3.2 Risks during operation.....	13
3.2.1 Dress safely	13
3.2.2 Mark the job site	13
3.2.3 Careful when parking	13
3.3 Risks after operation.....	13
3.3.1 Remove battery packs.....	13
3.3.2 Machine orientation.....	13
4 Transport and storage	14
4.1 General	14
4.2 Park position.....	14
4.3 Transport outside	15
4.4 Transport in a vehicle	16
5 Assembly and installation.....	17
5.1 Unboxing.....	17
5.2 Assembly.....	18
5.2.1 Charge the batteries.....	18



5.2.2	Attach the brushes	18
5.2.3	Attach the squeegee	19
5.2.4	Install recovery tank.....	19
5.2.5	Install cleaning solution tank.....	20
6	Operation	21
6.1	Before you start.....	21
6.1.1	Insert the batteries.....	21
6.1.2	Fill the cleaning solution tank	21
6.2	Operation procedure	22
6.2.1	Walking to the job site	22
6.2.2	At the job site	23
6.2.3	ECO mode.....	25
6.2.4	Water level warning indicator	26
6.2.5	Turn off the i-mop® XL Basic	26
6.2.6	Emptying tanks.....	26
6.3	Cleaning and storage	27
6.3.1	Flush the system.....	27
6.3.2	Cleaning the tanks	27
6.3.3	Removing battery packs.....	27
6.3.4	Check the brushes and squeegee.....	28
6.3.5	Store in an upright position.....	28
7	Maintenance	29
7.1	Brush replacement	29
7.2	Squeegee replacement.....	30
7.2.1	Detach the squeegee.....	30
7.2.2	Flip/replace the squeegee blade	30
7.2.3	Attach the squeegee	31
7.3	Replace vacuum hose	31
7.4	Recommended additional cleaning	31
7.5	Recommended service time	32
7.6	Accessories	32
8	Troubleshooting	33
9	Decommissioning and disposal	34
10	Attachments	35
10.1	CE Certificate	35



1 Introduction

The i-mop® XL Basic is an easy and safe machine to use. This manual helps you to get started and explains the operation and maintenance procedure. You will be pleasantly surprised by the fast and effective use of the battery operated i-mop XL Basic. The batteries used in the i-mop XL Basic are the same as a variety of battery powered i-team products. The batteries must be fully charged before use. Please refer to the user manual of the class I battery charger for correct procedure.

This manual is intended for those who work with the i-mop XL Basic and/or perform daily maintenance. The manual must be read in full before the first actions. This manual describes the correct method of use, safety measures, maintenance and transport.

The manufacturer continuously improves all their products based on user experience and feedback. Any deviations between the texts and/or images from the manual and your i-mop XL Basic can therefore arise from the difference in model or from possible changes due to continuous development and innovation.

1.1 Intended use of the product

The i-mop XL Basic is a specialized machine for scrubbing hard floor surfaces. You can use any type of water-based scrubbing detergent.

The fluid tank, brushes and squeegee come in HACCP color coded versions (blue, green, red, yellow and orange). All three items are easily replaced. This allows you to use different cleaning solutions, — for instance, when you move from the food preparing area to the restaurant. **ALWAYS** use the same color for fluid tank, brush and squeegee.



Figure 1



1.2 Non-intended use of the product



WARNING

Non-intended use can have consequences for the safety of operators and bystanders and will void the warranty on the product.

- **NEVER** operate the i-mop® XL Basic near flammable dusts, liquids or vapors.
- **NEVER** operate the i-mop XL Basic when flammable or poisonous liquids like gasoline, oil, acids, or other volatile substances are on the floor.
- **DO NOT** fill the i-mop XL Basic with any flammable detergent. **ONLY** use the water-based cleaning solutions.
- **DO NOT** use water that exceeds 113° F/45° C. Using water above this temperature will void the tank warranty.
- **DO NOT** use cleaning solutions with pH below 3 or above 11 in order to prevent damage to sensitive components.
- **DO NOT** use the i-mop XL Basic outdoors or on uneven surfaces.
- **DO NOT** operate this i-mop XL Basic over electrical floor outlets in order to avoid electrical shock.
- **NO RIDERS!** Do not carry passengers on top of the i-mop XL Basic.
- **DO NOT** use the i-mop XL Basic as stepladder or platform.
- **DO NOT** store the i-mop XL Basic outside in order to avoid damage to electronic components.
- **ONLY** use manufacturer-supplied parts for maintenance.
- **KEEP AWAY** from children! The i-mop XL Basic is a professional cleaning machine to be used by trained adults only.

1.3 Lifespan

Each i-mop XL Basic is guaranteed to operate for at least 2000 hours. The wear on brushes and squeegee heavily depends on the roughness of the surface. They need to be checked regularly.



CAUTION

To ensure proper and safe operation throughout the life of the i-mop XL Basic, the machine must be checked every 500 hours by an authorized i-team partner.

1.4 Modifications

It is not permitted to make modifications to the design of the i-mop XL Basic without consultation and permission from the manufacturer. This affects the warranty, refer to section 1.6 of this manual.



1.5 Specifications

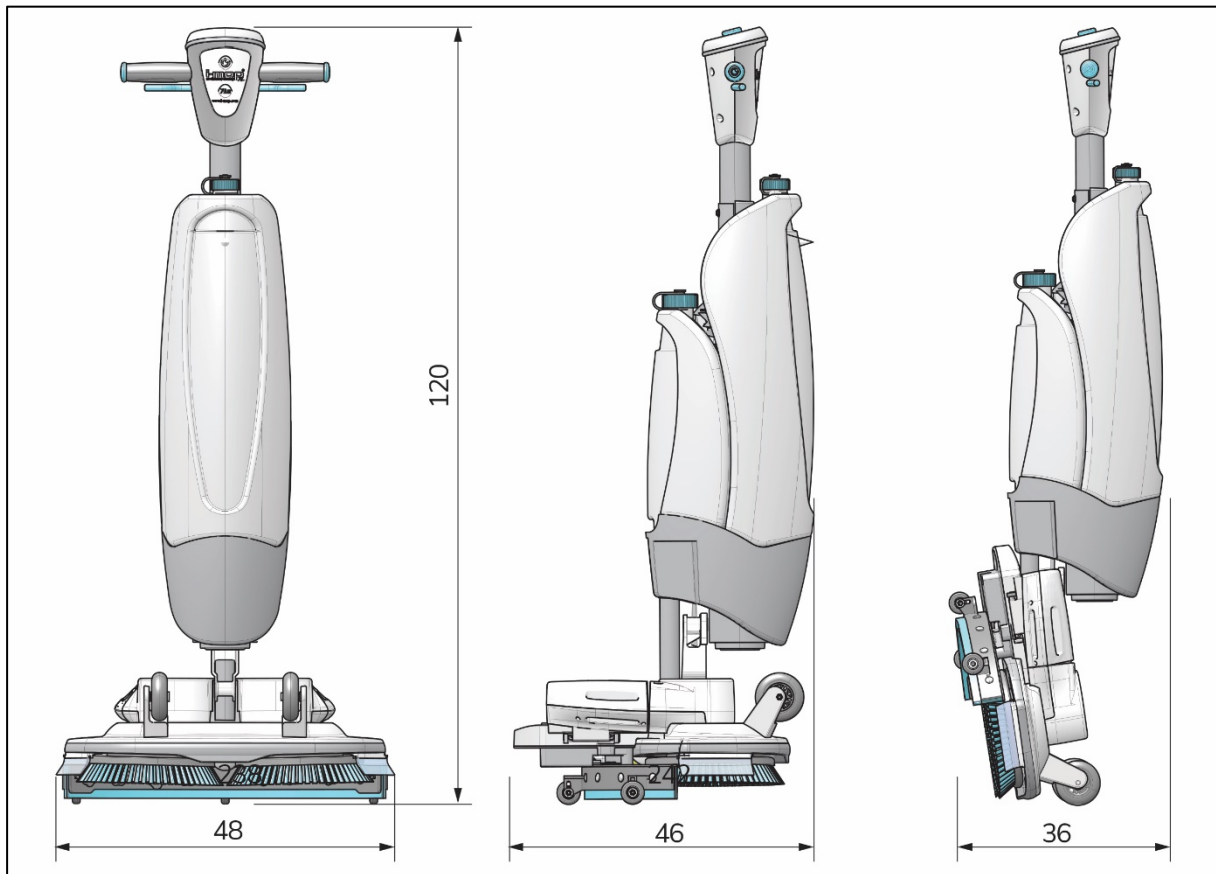


Figure 2

Product size:	120 x 48 x 46 cm
Product size in park position:	120 x 48 x 36 cm
Weight (including batteries):	22 kg
Li-on battery:	DC (25.2V, 14Ah, 353Wh)
Battery capacity:	2 batteries
Operation time of batteries:	90 min
Brush pressure:	31 gr / cm ²
Brush speed:	350 RPM
Detergent tank capacity:	4 L
Recovery tank capacity:	6 L / 4 L recommended max
Vibration:	Amplitude (mm): <0.4442 Velocity (m/s): <0.008 Acceleration (m/s ²): 0.943
Noise level (1m):	79.6 Db
Theoretical performance:	Up to 1800 m ² per hour
Practical performance:	1000 - 1300 m ² per hour
Scrub deck coating	YES
Castor wheels:	YES
Power cut off at park position:	YES
Angle power cut off:	NO
Floating ball for recovery tank:	YES
Timer:	NO



1.6 Warranty

The i-mop® XL Basic should be used as intended and described in this manual. Using the i-mop XL Basic outside will void the warranty on the product.

1.7 Identification

The ID tag, containing a serial number and production number, can be found on the bar behind the wastewater tank.

1. Serial number
2. Production day
3. Production year

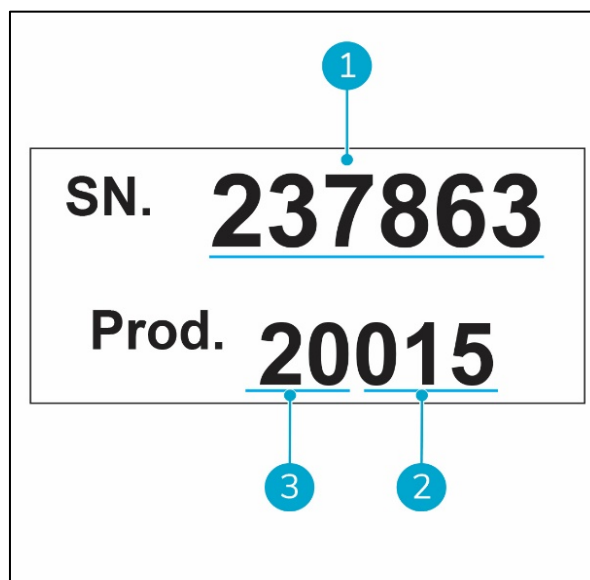


Figure 3



2 Description

The compact i-mop® XL Basic consists of two main parts:

- The body that contains the motor, cleaning solution tank, recovery tanks, handle with triggers and control panel.
- The scrub deck that contains the brushes and squeegee.

The i-mop XL Basic can be folded into a park position; this is recommended for storage.

The i-mop XL Basic consists of:

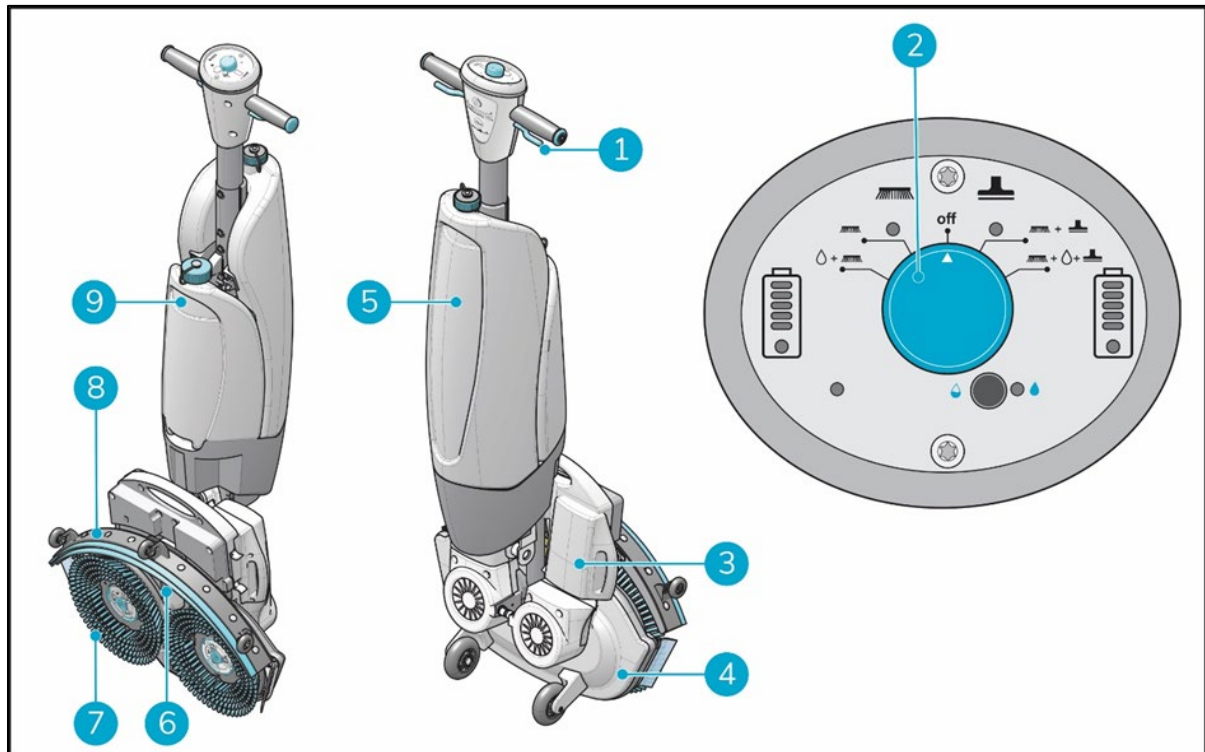


Figure 4

Legend

- | | |
|------------------|---------------------|
| 1. Trigger | 6. Vacuum hose |
| 2. Control panel | 7. Rotating brushes |
| 3. Batteries | 8. Squeegee |
| 4. Scrub deck | 9. Solution tank |
| 5. Recovery tank | |



3 Safety

Safety comes first. Therefore, please take your time to read and understand these safety instructions. Improper use can cause harm or void the manufacturer's warranty.

3.1 General safety instructions

3.1.1 Sweep before scrub

Remove objects from the floor that can be propelled by the rotating brushes.

3.1.2 Brush condition

Make sure to check the condition of the brush before use. Change the brush only when the machine is turned off in a park position.

3.1.3 Machine orientation

Always keep the body of the i-mop® XL Basic in an upright position when cleaning fluid or batteries are inserted.

3.1.4 Strong magnets



CAUTION

Please be aware of the integrated magnets that hold the fluid tanks in place.



WARNING

Operators and maintenance crew wearing pacemakers should keep a minimal distance of 6 in/15 cm.

3.1.5 Batteries

Always use the automatic battery charger provided by the manufacturer.



CAUTION

During normal operation, the 24V batteries cause no safety hazard on their own. Please keep the following safety instructions regarding the batteries in mind:

- Do not crush, pierce or damage in any way.
- Do not heat or incinerate.
- Do not short-circuit.
- Do not dismantle.
- Keep dry.
- Only charge between 5° C~40° C / 41° F~104° F.
- Only use between 5° C~45° C / 41° F~113° F.



3.2 Risks during operation

3.2.1 Dress safely

Do not wear a necktie, scarf, or any loose or dangling clothing or jewelry while operating the i-mop® XL Basic. These can tangle in rotating parts, causing serious injury or death.

3.2.2 Mark the job site

The i-mop XL Basic is designed to leave a dry floor without slippery patches, no additional drying is required. When running the i-mop XL Basic with the vacuum function OFF please mark the job site with a wet floor marker.



CAUTION

Marking the jobsite with a wet floor marker is not required when using the vacuum function of the i-mop XL Basic. Unless this is a mandatory work safety requirement by local law. When unsure: mark the job site to warn passersby.

3.2.3 Careful when parking

Do not park the i-mop XL Basic on ramps or slopes. Always park the i-mop XL Basic on a level, hard surface.

3.3 Risks after operation

3.3.1 Remove battery packs

It is best practice to remove the batteries before executing any cleaning or maintenance task, or before storage.

3.3.2 Machine orientation

Always keep the body of the i-mop XL Basic in an upright (park) position when replacing brushes or squeegee.



4 Transport and storage

4.1 General



CAUTION

Always keep the body of the i-mop® XL Basic in an upright position when filling the cleaning solution tank or inserting the batteries.

Before storage or transport, drain the machine and remove the batteries after each use.

4.2 Park position

The park position is the upright vertical position for storage and maintenance tasks.

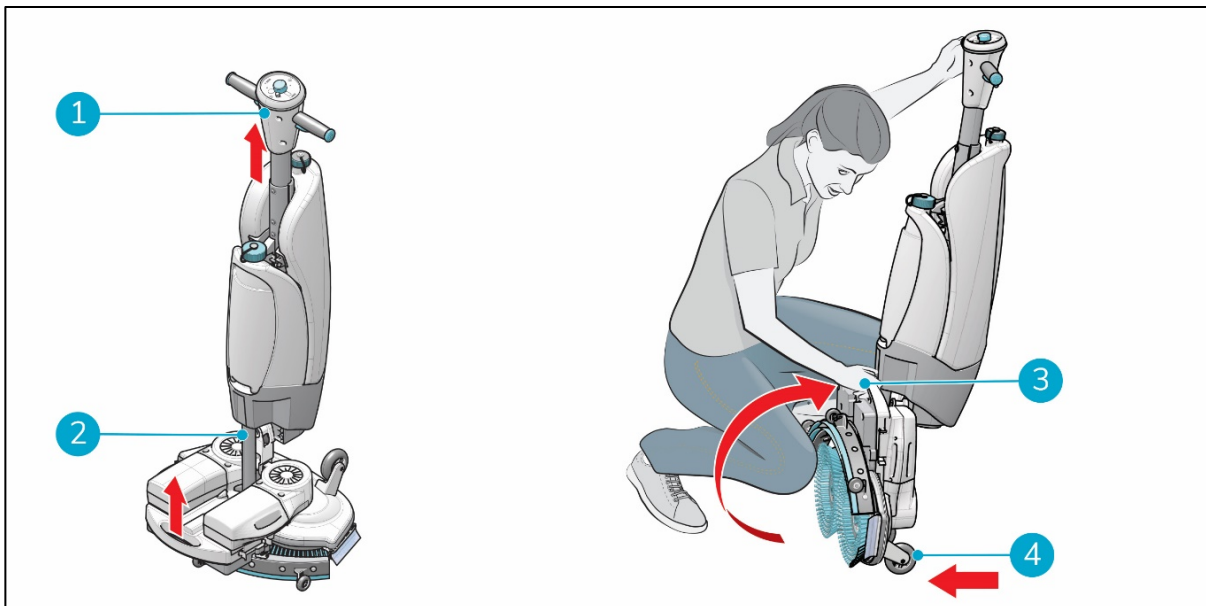


Figure 5

1. Make sure the vacuum hose (Figure 5, pos 2) is pushed back into the machine so it cannot get squeezed.
2. Crouch down and hold the handle (Figure 5, pos 1) with one hand while holding the scrub deck (Figure 5, pos 3) with your other hand.
3. Lift the scrub deck slowly until it stands upright on the front wheels (Figure 5, pos 4). Guide the body towards the scrub deck until it snaps into a resting position.



4.3 Transport outside

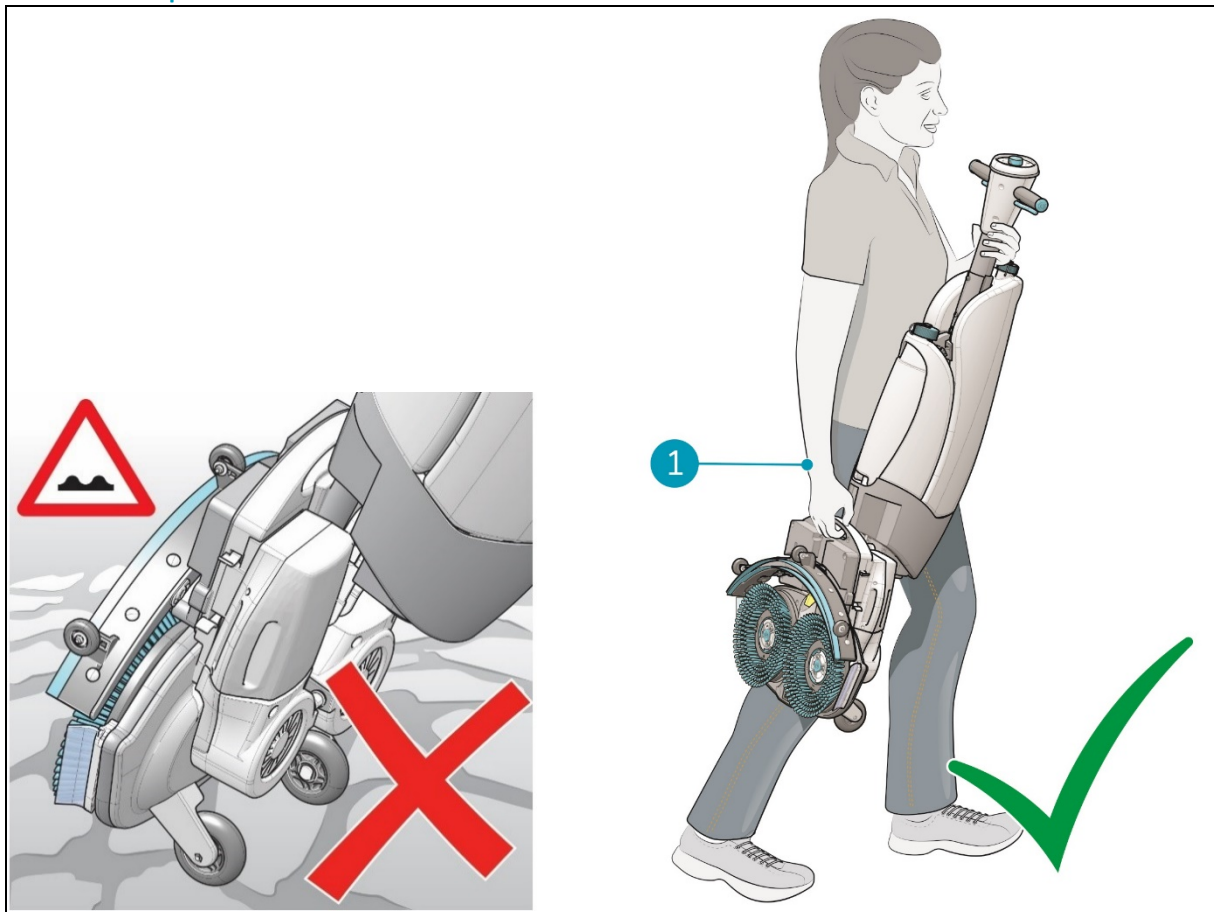


Figure 6

When outside:

1. Put the i-mop® XL Basic in park position (refer to section 4.2).
2. Carry the i-mop XL Basic with one hand while holding the handle (Figure 6, pos 1) with your other hand.



CAUTION

The transport wheels are not designed to roll over dirty surfaces, sand can cause the wheels to block. Lift the i-mop XL Basic going from one building to another.



4.4 Transport in a vehicle

The preferred way to transport your i-mop® XL Basic is in an upright position and safely secured.

1. Make sure both tanks are empty.
2. Put the i-mop XL Basic in park position (refer to section 4.2).
3. Remove the batteries.
4. Lift the i-mop XL Basic into the vehicle.
5. Secure the i-mop, using a tension belt or another appropriate restraint (Figure 7, pos 1).

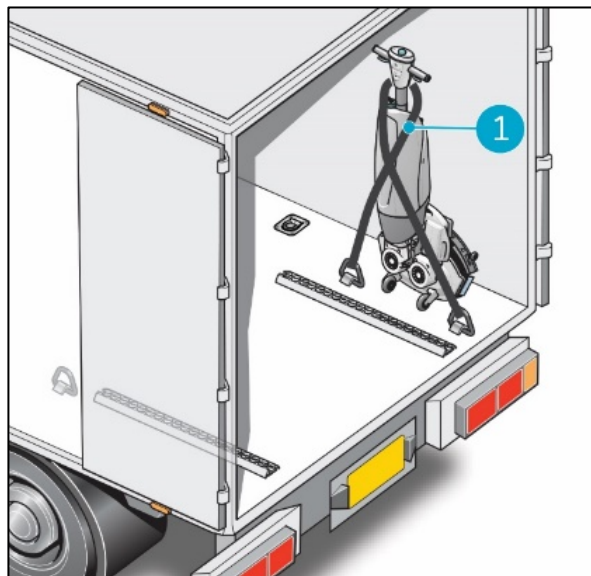


Figure 7

TIP:

The i-stand wall mount accessory (IS.I-V.0000A) can be installed in the back of a truck. It allows you to secure the i-mop and transport the i-mop in an upright position. Please contact our sales department for more information.

As the i-mop XL Basic is a compact machine, it fits in the trunk of your car. Before loading the i-mop XL Basic into your vehicle, make sure both tanks and battery packs are removed.

1. Put the i-mop XL Basic in park position (refer to section 4.2).
2. Remove the batteries and both tanks and pack them separately for transport.
3. Lift the i-mop XL Basic into your vehicle. Don't forget the tanks and batteries.
4. Prevent the i-mop XL Basic from moving around during transport by using a tension belt or another appropriate restraint.



CAUTION

The seal of the solution and recovery tank can be damaged during transport in horizontal position. Make sure you remove them before loading the machine into your car. **Improper use will void the warranty.**



5 Assembly and installation

The i-mop® XL Basic does not require much assembly. Most importantly, you will have to attach the brushes and squeegee.

5.1 Unboxing

The i-mop XL Basic body is packed in a single box. The battery and charger are delivered in a separate box and can be ordered separately.

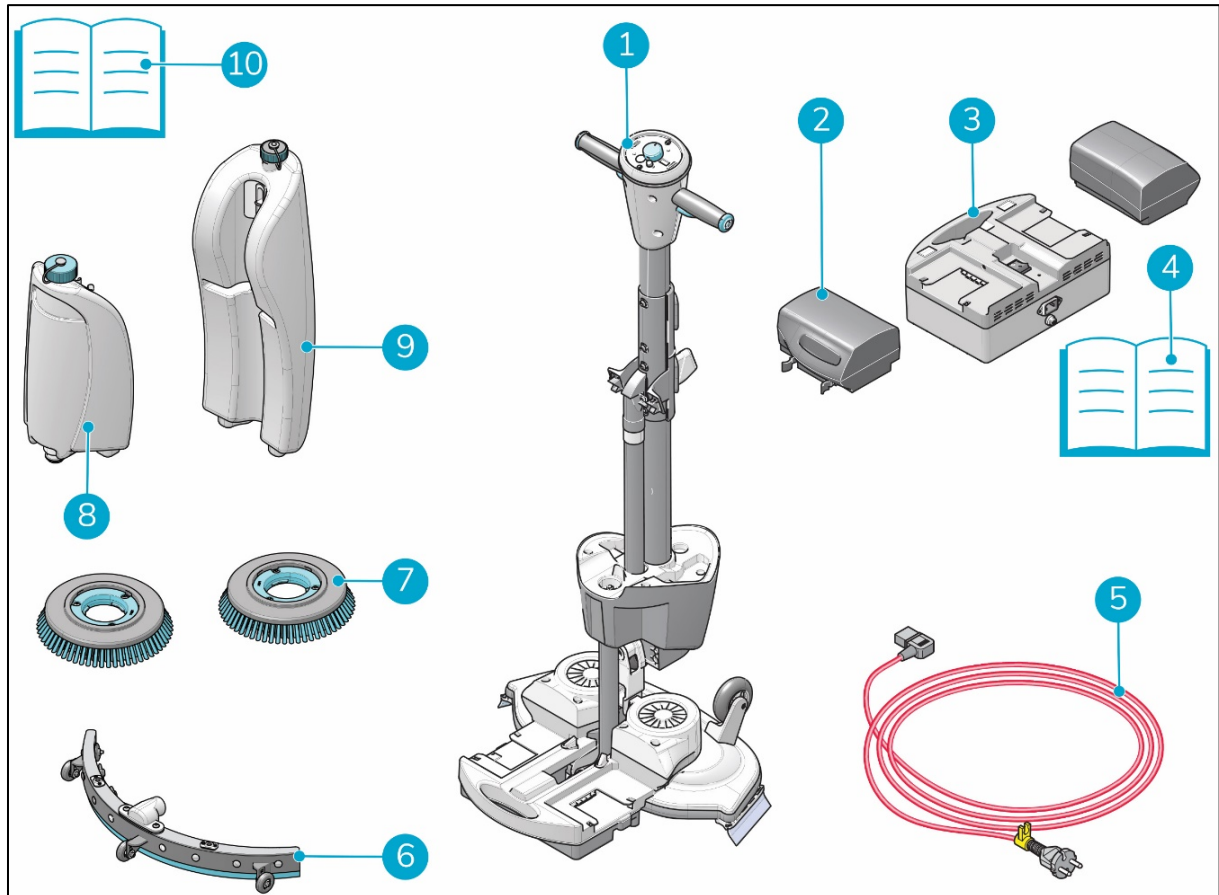


Figure 8

Legend

- | | |
|---|------------------------------|
| 1. 1x i-mop XL Basic main body | 6. 1x squeegee assembly |
| 2. 2x batteries (when ordered) | 7. 2x brushes |
| 3. 1x battery charger (when ordered) | 8. 1x cleaning solution tank |
| 4. 1x battery charger manual (when ordered) | 9. 1x recovery tank |
| 5. 1x power cord (when ordered) | 10. 1x this manual |



5.2 Assembly

5.2.1 Charge the batteries

Charge the batteries according to the instructions in the battery charger manual. Make sure the battery packs are charged monthly.

5.2.2 Attach the brushes

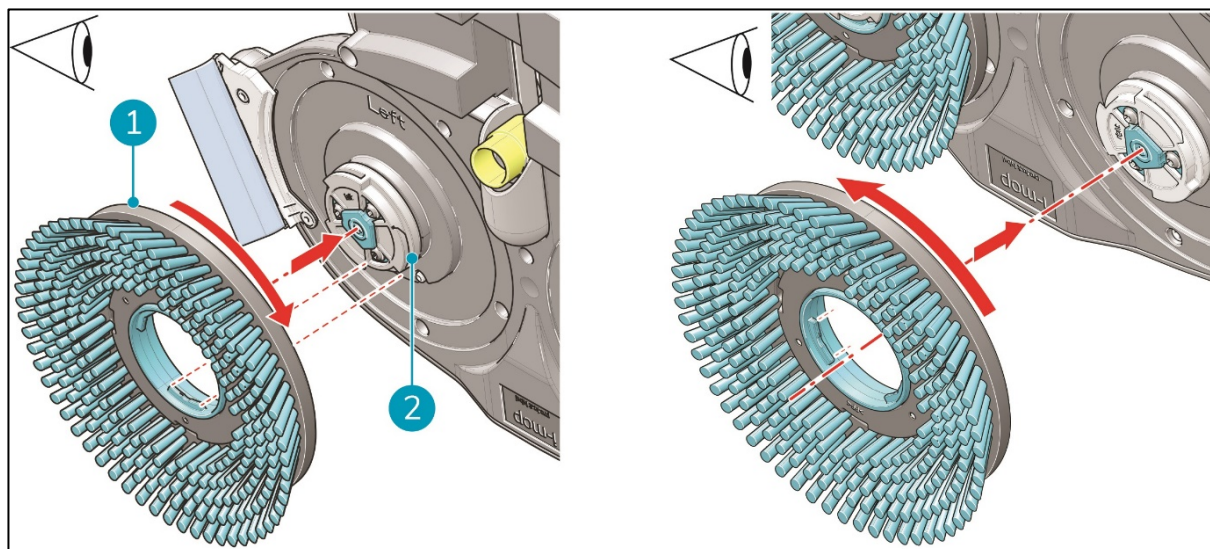


Figure 9

To attach the brushes:

1. Put the i-mop® XL Basic in park position (refer to section 4.2).
2. Hold the scrub deck firmly with one hand.
3. Align the left brush (Figure 9, pos 1) with the left motor disk (Figure 9, pos 2). Align the latches and cut-outs in the brush and motor disk.
4. Push the brush on the motor disk.
5. Turn the left brush clockwise until you see the motor disk turning. The brush is now in place.
6. Align the right brush with the right motor disk. Align the latches and cut-outs in the brush and motor disk.
7. Push the brush on the motor disk.
8. Turn the right brush anticlockwise until you see the motor disk turning. The brush is now in place.



5.2.3 Attach the squeegee

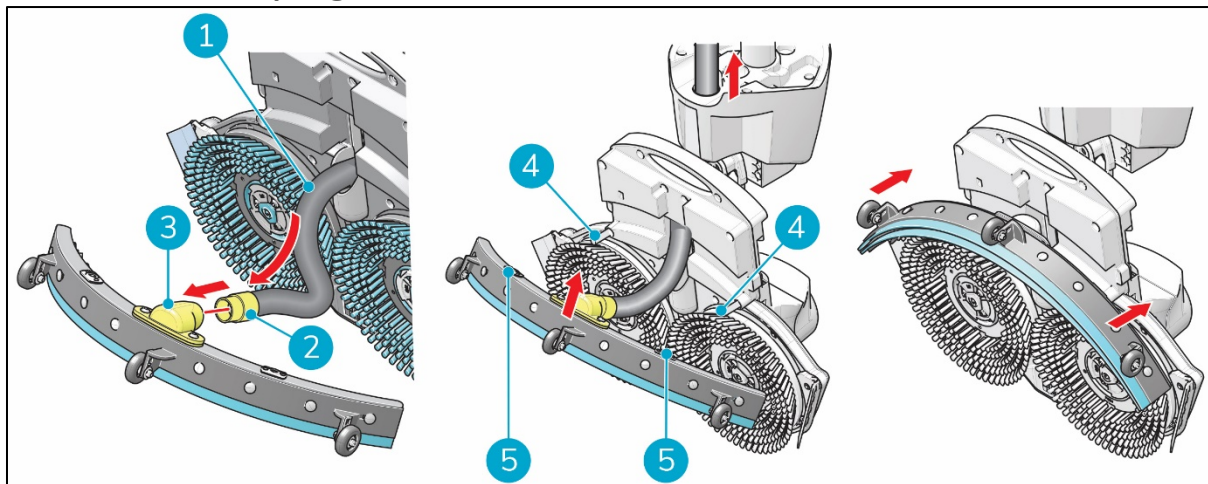


Figure 10

To attach the squeegee:

1. Take the vacuum hose (Figure 10, pos 1).
2. Insert the hose connector (Figure 10, pos 2) in the squeegee (Figure 10, pos 3).
3. Twist the hose connector 1/4 turn for a firm fit (Figure 10, pos 2).
4. Carefully pull the vacuum hose back into the machine.
5. Hold the scrub deck firmly with one hand.
6. Align the pins on the scrub deck (Figure 10, pos 4) with the holes on the squeegee (Figure 10, pos 5).
7. Push the left side of the squeegee in place.
8. Push the right side of the squeegee in place.

5.2.4 Install recovery tank

1. Put the bottom of the recovery tank (Figure 11, pos 1 and pos 3) on the front of the i-mop® XL Basic.
2. Push the top of the tank into place until you hear a "click" sound, the magnet (Figure 11, pos 2) will lock the recovery tank into place.

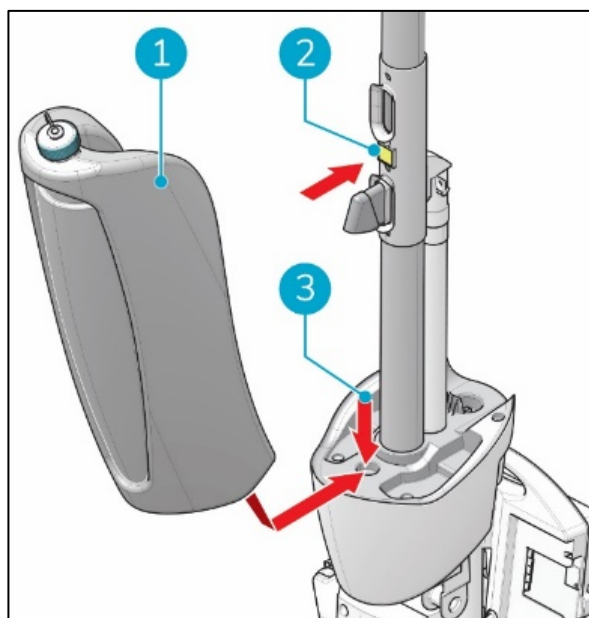


Figure 11



5.2.5 Install cleaning solution tank

1. Put the tank (Figure 12, pos 1) on the i-mop® XL Basic with the valve first.
2. Press the tank downward on the nipple to break the valve seal.
3. Push the tank into place until you hear a "click".

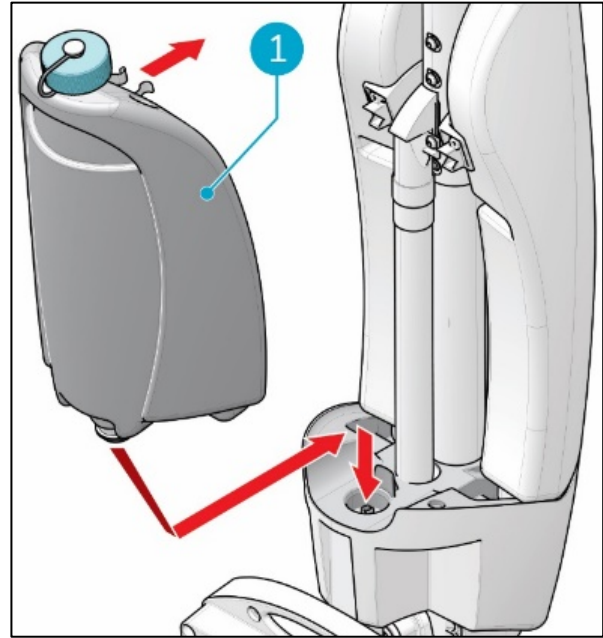


Figure 12



6 Operation

6.1 Before you start

Check the brushes and squeegee for wear and tear (refer to section 7 on maintenance).

6.1.1 Insert the batteries

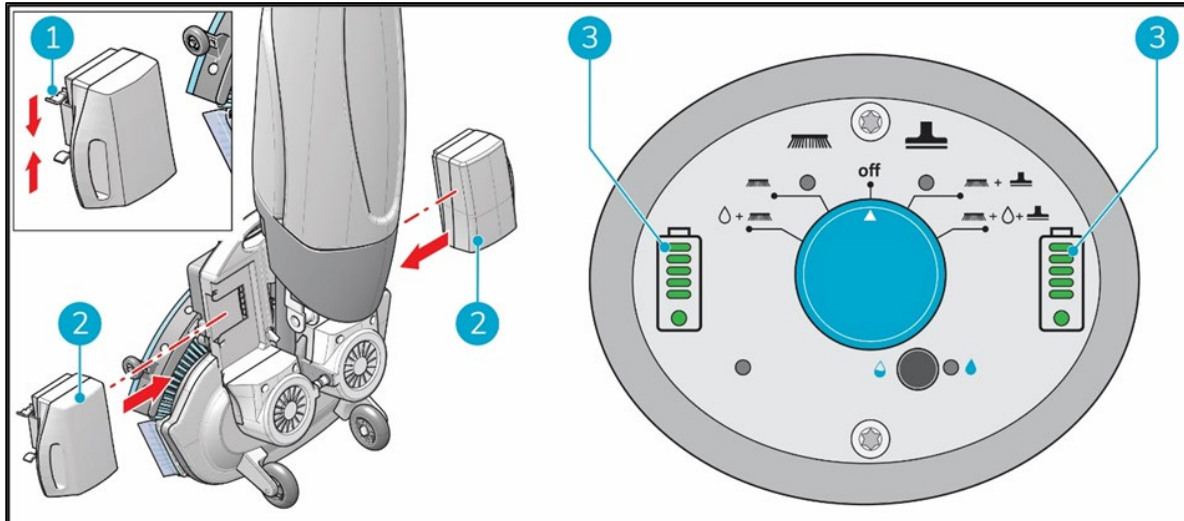


Figure 13

1. Push the blue coded battery (Figure 13, pos 2) in the blue battery slot. A click signals the battery is locked in place (Figure 13, pos 1).
2. Push the gray coded battery in the gray battery slot. A click signals the battery is locked in place.
3. During operation, the battery indicators (Figure 13, pos 3) on the control panel show the amount of power left.

TIP:

It is not recommended to use the batteries when charged below 40% (2 marks).

6.1.2 Fill the cleaning solution tank

1. Remove the stopper.
2. Pour in a maximum of 1 gal/ 4 L of cleaning fluid.
3. Replace stopper and make sure it seals tight.
4. Put the i-mop® XL Basic in park position (refer to section 4.2).
5. Put the tank on the i-mop XL Basic with the valve first (Figure 14, pos 1).
6. Press the tank downward to break the valve seal.
7. Push the tank into place until you hear a "click".
8. Clean your hands afterwards.

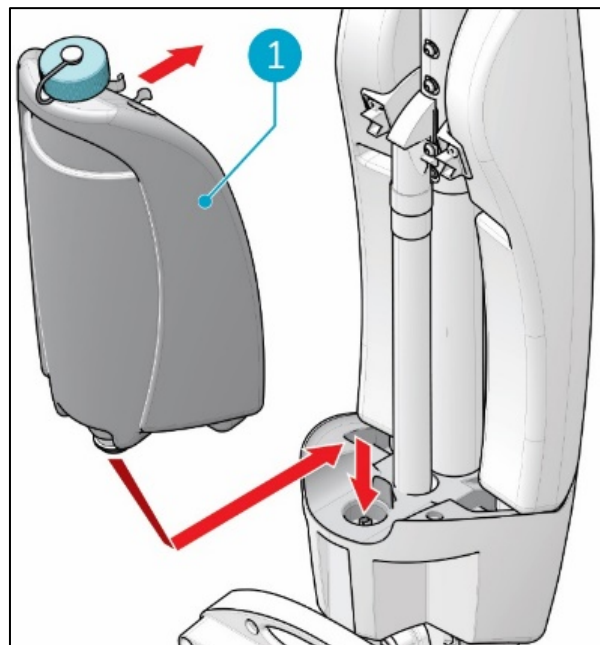


Figure 14



6.2 Operation procedure

6.2.1 Walking to the job site

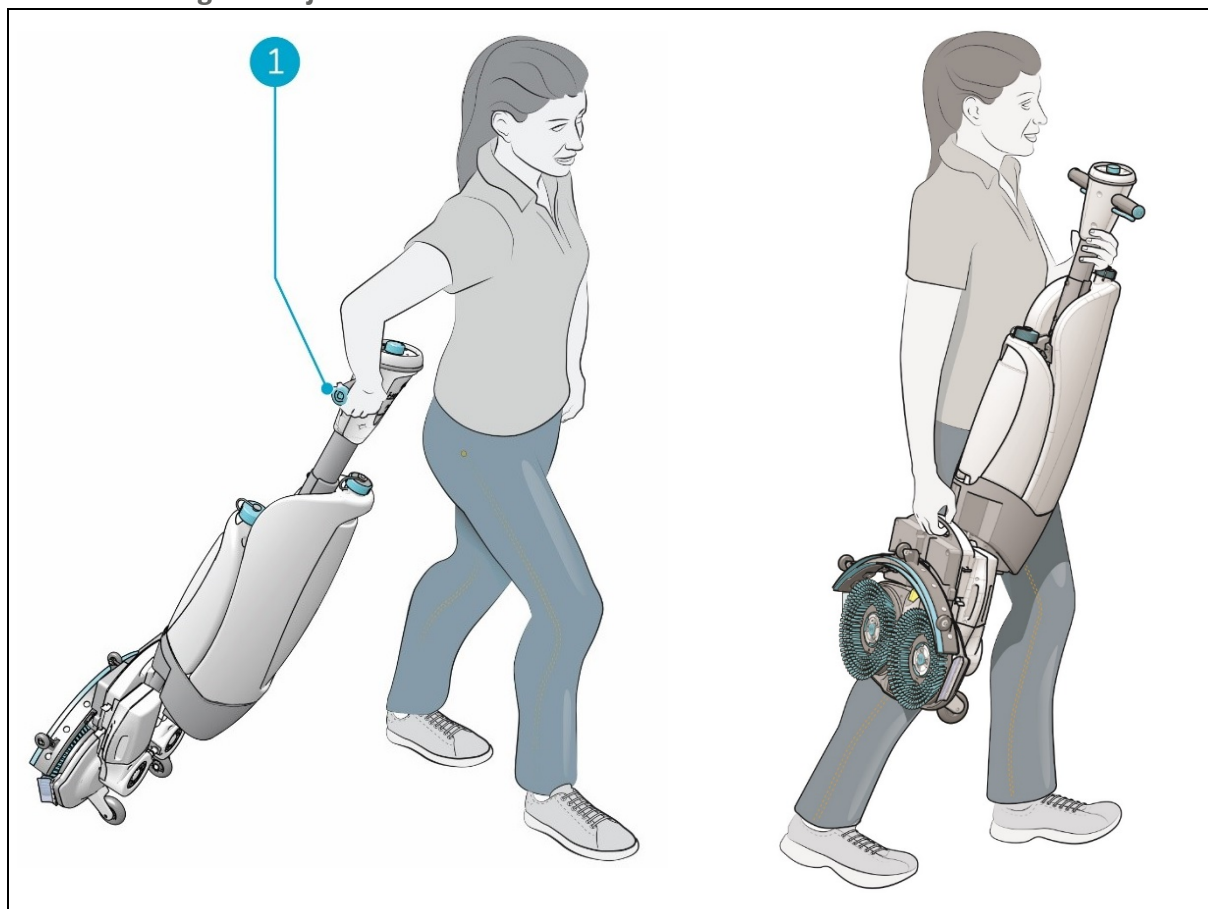


Figure 15

To move the i-mop® XL Basic from one location to another one in a building:

1. Put the i-mop XL Basic in park position (refer to section 4.2).
2. Hold the handle with one hand (Figure 15, pos 1).
3. Walk slowly and pay extra attention if you pull the i-mop XL Basic over obstacles.
4. To lift the i-mop XL Basic over obstacles, always use two hands.
 - Hold the handle with one hand.
 - Lift the scrub deck with the other hand.



6.2.2 At the job site

1. Crouch down while holding the scrub deck firmly with one hand (Figure 16, pos 2).
2. Push the handle forward with your other hand (Figure 16, pos 1).
3. Bring the scrub deck slowly down to the floor.

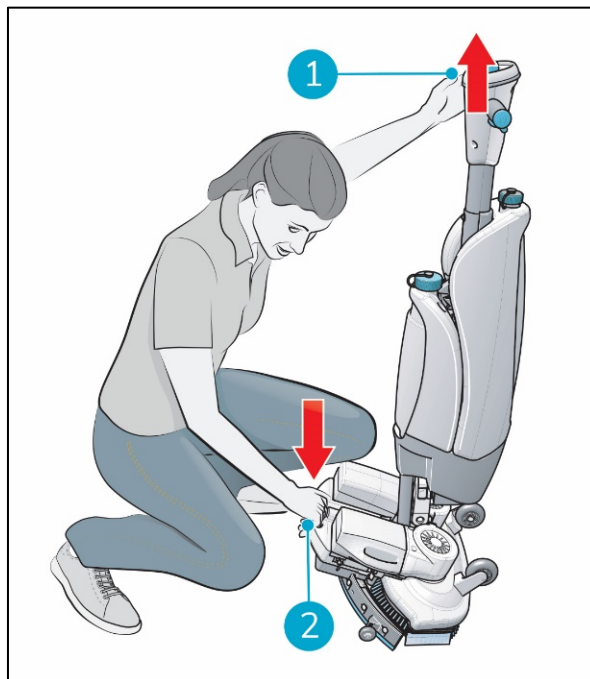


Figure 16



WARNING

Never push down the scrub deck with your foot.

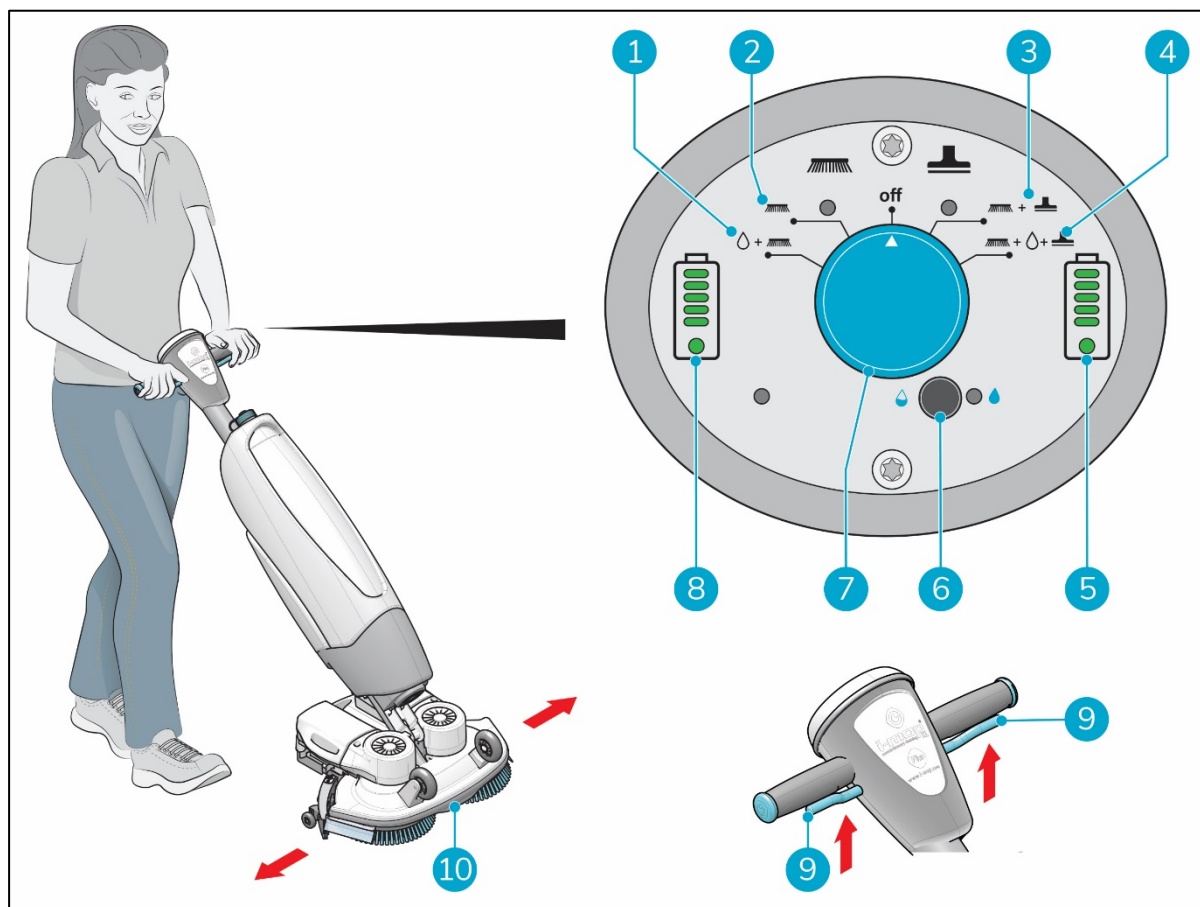


Figure 17

4. Stand behind the i-mop® XL Basic.
5. Choose your cleaning mode via the main switch (Figure 17, pos 7). This will also turn on the i-mop XL Basic.
 - MODE 1: Brush + water/cleaning solution (Figure 17, pos 1).
 - MODE 2: Brush only (Figure 17, pos 2).
 - MODE 3: Brush + vacuum (Figure 17, pos 3).
 - MODE 4: Brush + water/cleaning solution + vacuum (Figure 17, pos 4).
6. Hold the handle with both hands.
7. Squeeze the trigger on the handle (Figure 17, pos 9).
8. Once the trigger is squeezed the i-mop XL Basic will move forward.
9. Walk behind the i-mop XL Basic.
10. Steer by gently turning the handle left or right to move the scrub deck (Figure 17, pos 10).

TIP: Learn to swivel

Operating the i-mop XL Basic is very intuitive and like steering a bicycle. The i-mop XL Basic is designed to move forward. To turn, stop walking and use your inside hand (the hand in the direction you want to go to) to turn the handle. The i-mop XL Basic can swivel 360 degrees making it possible to reverse direction.

11. Releasing the trigger (Figure 17, pos 9) will immediately stop the i-mop XL Basic. The vacuum motor will stop after 3 seconds.



WARNING

Do not operate the i-mop XL Basic at greater than arm's length. Operating below a 45-degree angle can cause water to run into the vacuum engine.

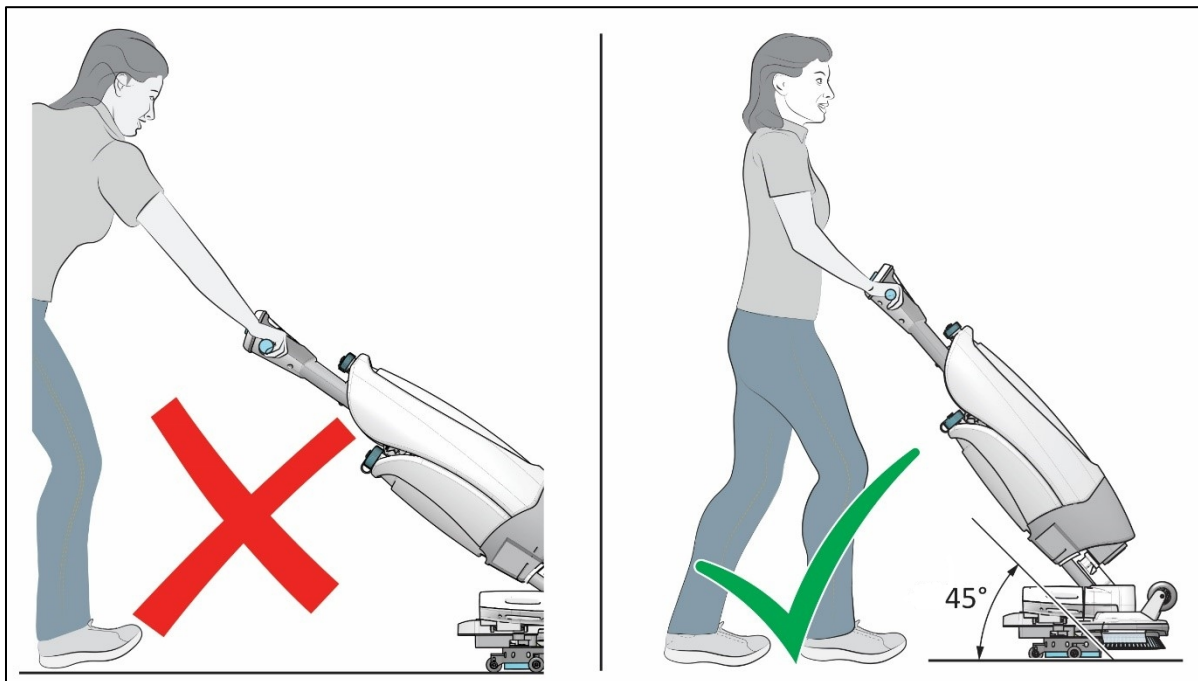


Figure 18

6.2.3 ECO mode

The ECO mode will use 40% less cleaning solution.

1. Turn on the ECO mode by pushing the ECO button (Figure 19, pos 1).
2. Turn off ECO mode by pushing the ECO mode again.

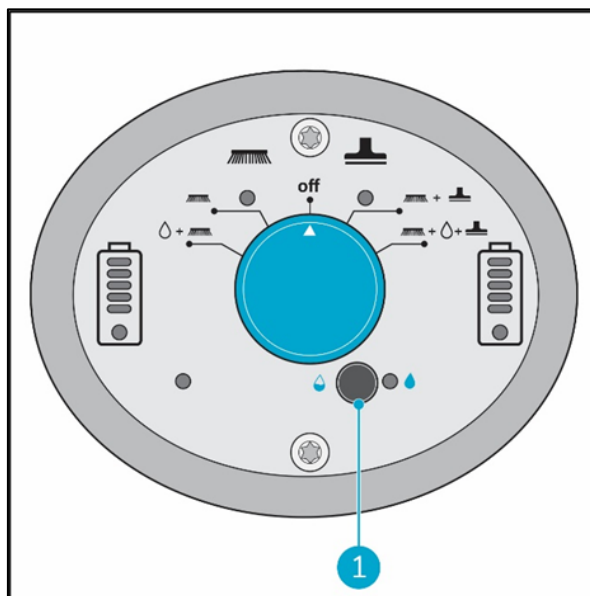


Figure 19



6.2.4 Water level warning indicator

The water level warning indicator is situated on the control panel (Figure 20, pos 1). When the recovery tank needs to be replaced, the indicator light will turn on and the machine will be shut off.

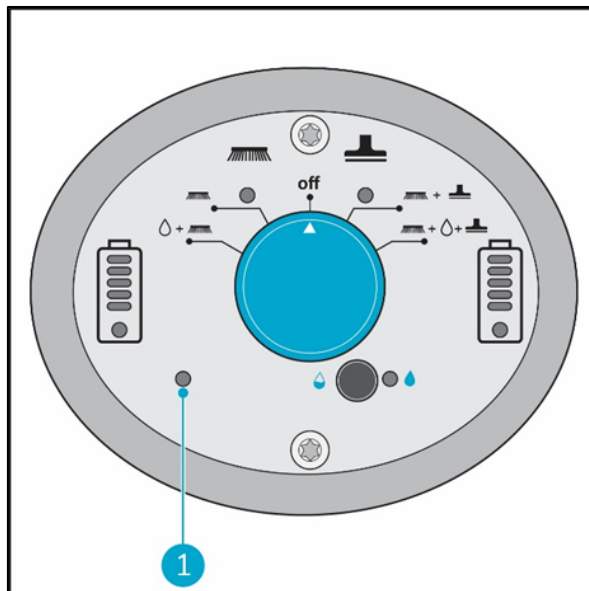


Figure 20

6.2.5 Turn off the i-mop® XL Basic

1. Use the i-mop XL Basic main switch (Figure 21, pos 1) and choose MODE 3 Brush + Dry vacuum (Figure 21, pos 2).
2. Operate it about 15-20 feet farther to vacuum remaining cleaning solution up.
3. Then set the main switch to the "OFF" position.

Note that the vacuum motor will continue to run for approximately 3 more seconds.

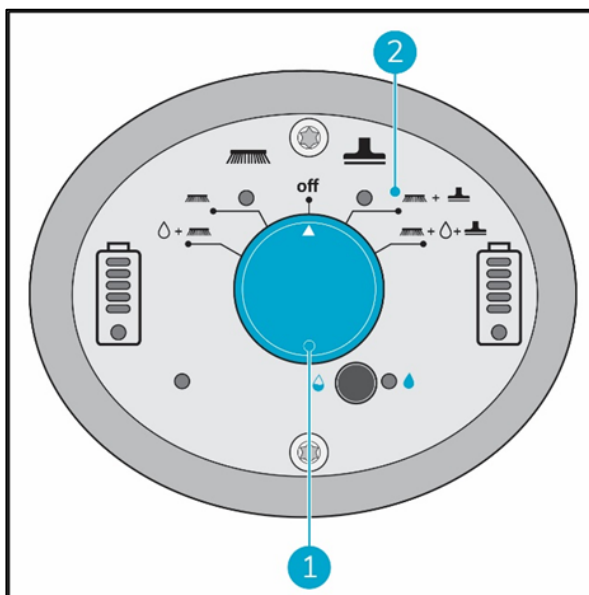


Figure 21

6.2.6 Emptying tanks

Dispose water or cleaning solution from both tanks in an appropriate drain. Even though the recovery tank is bigger, empty it each time the cleaning solution tank is filled.



WARNING

Please observe the local provisions regarding solution disposal related to wastewater treatment.



6.3 Cleaning and storage

6.3.1 Flush the system

Be sure to flush the tanks out completely. To thoroughly flush out any solution in the lines and valves:

1. Refill solution tank with 0.5 to 1 liter of clean water.
2. Use the i-mop® XL Basic main switch (Figure 22, pos 1) and choose MODE 4 Brush + Water/Cleaning solution + Dry vacuum (Figure 22, pos 2).

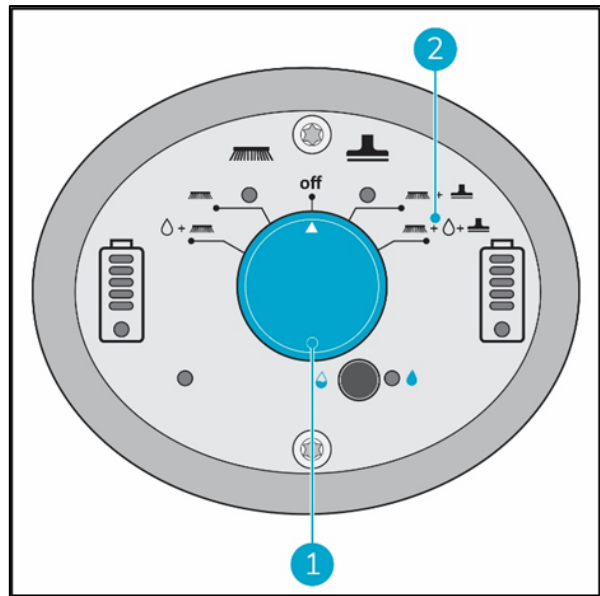


Figure 22

6.3.2 Cleaning the tanks

1. Dispose water or cleaning solution from both tanks in an appropriate drain.
2. To clean the recovery tank thoroughly:
 - Partially fill the tank with fresh water and hold it horizontally with the holes facing up.
 - Tilt the tank repeatedly, thoroughly rinsing all the dirt and debris out from the tank.
3. To clean the solution tank, follow the same procedure.

TIP: Dry the tanks

Slightly open both tank caps before storage to allow the tanks to dry.

6.3.3 Removing battery packs

1. Put the i-mop XL Basic in park position (refer to section 4.2).
2. Hold the i-mop XL Basic by the scrub deck to stabilize.
3. While pressing both plastic pins inwards (Figure 23, pos 1), pull each battery pack away (Figure 23, pos 2).
4. When the i-mop XL Basic isn't used regularly, store the charged battery packs in a dry, clean place.
5. Make sure the battery packs are charged monthly.

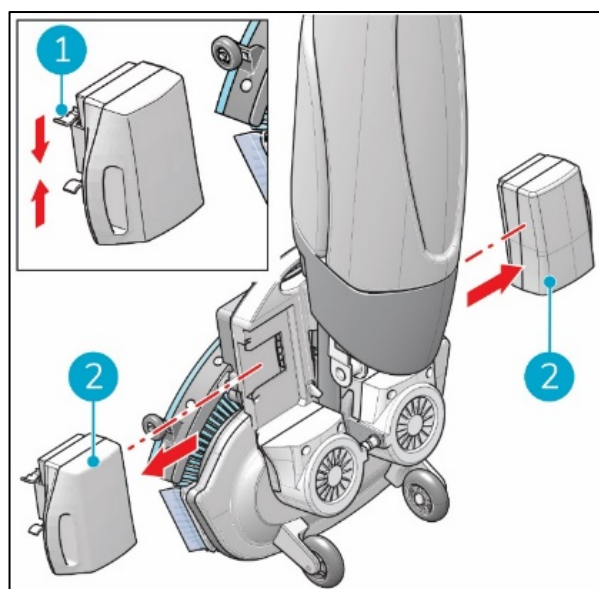


Figure 23



6.3.4 Check the brushes and squeegee

1. Check to see if both brushes are clean and intact, refer to section 7.1 on how to remove them.
 - Clean them under fresh water or replace them if necessary.
 - Replace brushes if the yellow wear indicator is the same height as other bristles.
2. Check to see if the squeegee is clean and intact, refer to section 7.2.1 on how to remove it.
 - Clean it with fresh water and wipe it with a clean, damp cloth.
 - Replace the squeegee blades when necessary.

6.3.5 Store in an upright position

1. Please ensure that the i-mop® XL Basic is parked in a place where nobody can bump into it.
2. Put the i-mop XL Basic in park position (refer to section 4.2).
3. Store the i-mop XL Basic close to a wall (Figure 24, pos 1) with the handle pointing towards the wall and the brushes facing away from the wall.

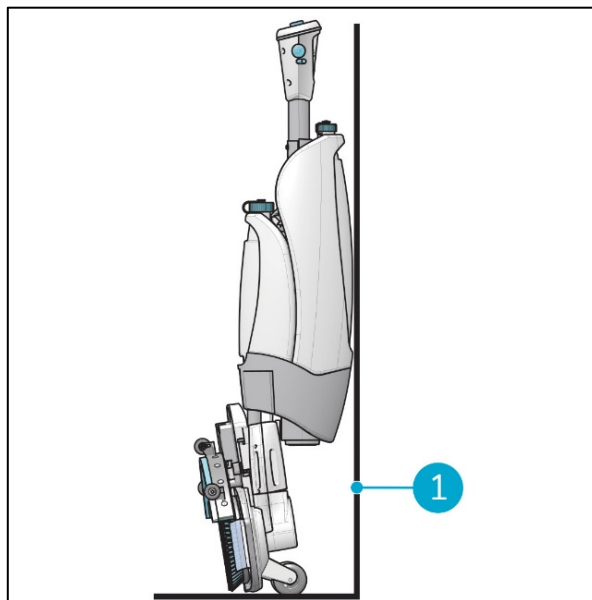


Figure 24



7 Maintenance

7.1 Brush replacement

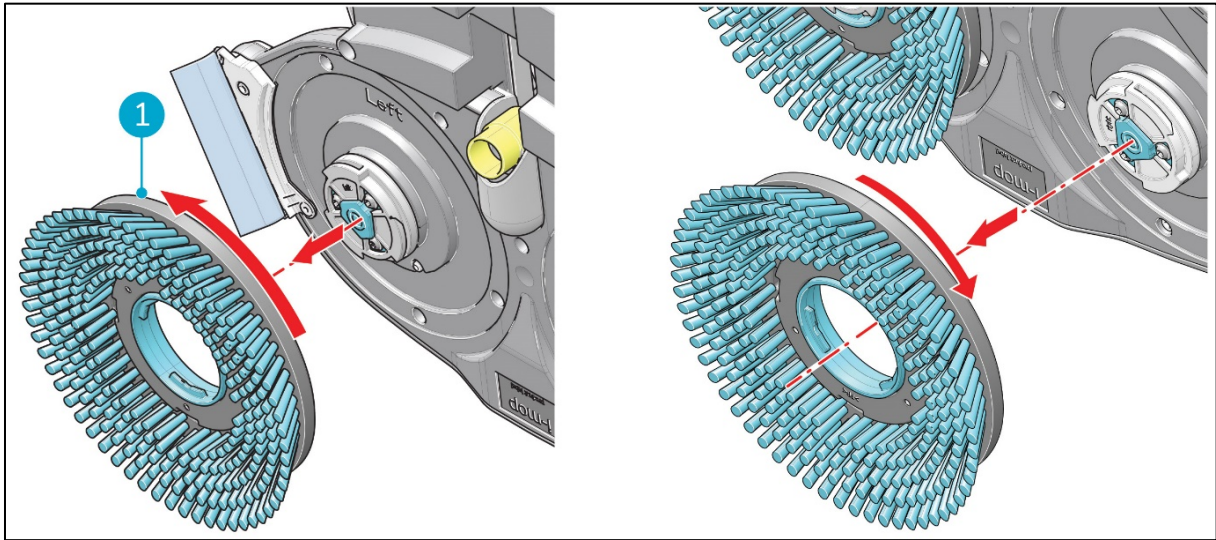


Figure 25

The brushes are attached to the scrub deck via a bayonet fitting.

1. Put the i-mop® XL Basic in park position (refer to section 4.2).
2. Hold the scrub deck firmly with one hand.
3. Using your other hand to turn the left brush (Figure 25, pos 1) anticlockwise until you feel resistance or see the motor disk turning as well.
4. Pull the brush off the motor disk toward you.
5. Turn the right brush clockwise until you feel resistance or see the motor disk turning as well.
6. Pull the brush off the motor disk toward you.
7. Visually inspect the motor disks.
8. Clean the i-mop XL Basic scrub deck with a clean, dry cloth before you install the brushes.



7.2 Squeegee replacement

The squeegee blades come in pairs and wear out over time. When you notice the floor is no longer being dried properly, replace the squeegee blades.

7.2.1 Detach the squeegee

1. Put the i-mop® XL Basic in park (refer to section 4.2).
2. Hold the scrub deck firmly with one hand.
3. Pull on the left side of the squeegee to remove it (Figure 26, pos 1).
4. Pull on the right side of the squeegee to remove it (Figure 26, pos 2).
5. Remove the vacuum hose from the squeegee by twisting the hose.

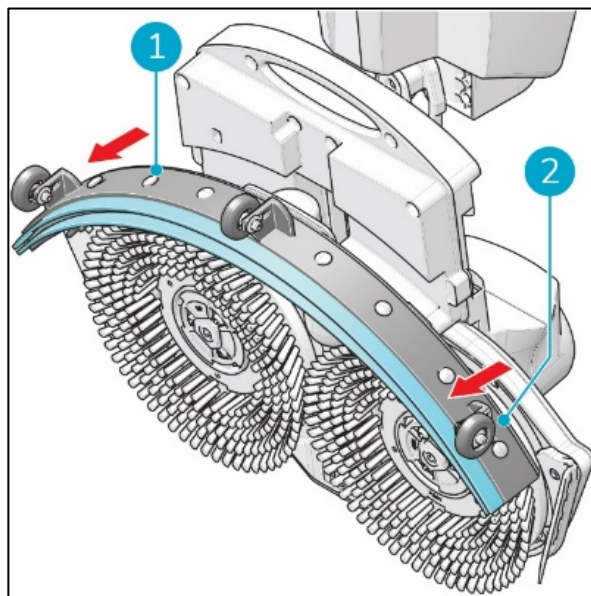


Figure 26

7.2.2 Flip/replace the squeegee blade

1. Unscrew the 8 plastic nuts on the back.
2. Take off the squeegee rear plate.
3. Once the plastic part is removed, you can easily take off the rear rubber blade.
4. Push the 8 screws through the front blade in order to remove the squeegee front plate.
5. Take off the rear rubber blade.
6. Inspect the front and rear rubber blades:
 - The first time: flip the blades so the top of the blade is now facing the floor. Push the front plate screws through the holes.
 - The second time: attach a new set of blades. Push the front plate screws through the holes.



CAUTION

The special squeegee blades that contain small arrow-like shapes cannot be switched. These need to be replaced every time.

7. Put back the plastic rear plate.
8. Screw the 8 plastic nuts on the back.



7.2.3 Attach the squeegee

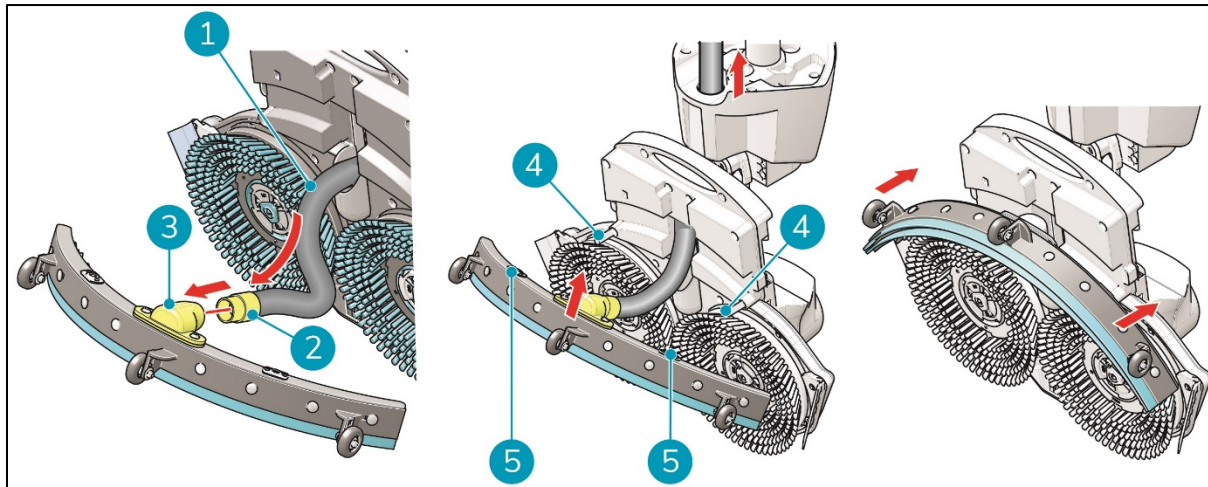


Figure 27

To attach the squeegee:

1. Take the vacuum hose (Figure 27, pos 1).
2. Insert the hose connector (Figure 27, pos 2) in the squeegee (Figure 27, pos 3).
3. Twist the hose connector 1/4 turn for a firm fit (Figure 27, pos 2).
4. Carefully pull the vacuum hose back into the machine.
5. Hold the scrub deck firmly with one hand.
6. Align the pins on the scrub deck (Figure 27, pos 4) with the holes on the squeegee (Figure 27, pos 5).
7. Push the left side of the squeegee in place.
8. Push the right side of the squeegee in place.

7.3 Replace vacuum hose

1. Detach the squeegee as described in 7.2.1.
2. Remove the solution tank. You can see where the vacuum hose is connected at the i-mop® XL Basic handle.
3. Hold the scrub deck firmly with one hand.
4. Detach the vacuum hose by twisting the connector 1/4 turn anticlockwise.
5. Now you can carefully pull the vacuum hose from the top of the machine.
6. Guide the new vacuum hose via the opening to the hose connector located at the i-mop XL Basic handle.
7. Connect the top to the hose connector by twisting the clockwise 1 /4 turn until they have lined up.
8. Reinstall the squeegee.

7.4 Recommended additional cleaning

Clean the exterior of the i-mop XL Basic weekly with a non-abrasive, non-solvent cleaner or a clean, damp cloth. To clean the scrub deck, remove the brushes first.



7.5 Recommended service time

When you do not have a Service Agreement, check the timer on the control panel on a regular basis. It is recommended to schedule a full service by one of our service partners every 500 hours.

7.6 Accessories

The i-mop XL Basic can be equipped with different brushes and polishing pads. The use of these accessories is only allowed by experienced and trained operators as some polishing pads can be abrasive and can cause damage to the floor surface when applied incorrectly. For more information please contact our sales department, or the partner who provided the i-mop XL Basic.



8 Troubleshooting

Problem	Cause	Solution
No power	No batteries	Insert batteries
	Empty batteries	Charge batteries
	Batteries incorrectly placed	Remove and reinstall batteries
Insufficient/no water flow	Wrong program	Check the operating mode on the control panel
	Eco mode on	Check the ECO mode light on the control panel
	Empty tank	Fill the tank
	Tank incorrectly placed	The tank valve must be clicked on the nipple to open the seal, replace the tank
	Filter blocked	Ensure the solution tank has no dirt particles and the filter is clean
	Blocked water pipe	Request for service
Poor water recovery	Squeegee opening blocked	Remove the pipe and clean the squeegee opening
	Tears in squeegee blades	Replace squeegee blades
	Filter blocked	Check the yellow filter and clean if necessary
	Vacuum hose blocked	Check and remove blockage
	Vacuum pump not running	Request for service
Leakage	Tanks incorrectly placed	Check and reattach fluid tanks
	Tear in vacuum hose	Replace vacuum hose or request for service
Battery not charging	Battery is at end of life	Replace battery



9 Decommissioning and disposal



ATTENTION

It is the responsibility of the i-mop® XL Basic owner to dispose of the product responsibly.

After decommissioning, the i-mop XL Basic still contains valuable resources and needs to be disposed of according to your local laws and regulations regarding recycling of electrical equipment.



Before disposal please:

1. Flush the machine (refer to section 6.3.1).
2. Remove the batteries for separate disposal (refer to section 6.3.3).

TIP:

Alternatively, keep the batteries for use in another piece of i-team equipment.

3. Remove all loose components like brushes, tanks and squeegee.
4. Dispose all items according to your local laws and regulations.



10 Attachments

10.1 CE Certificate



EG/EC
KONFORMITÄTSERKLÄRUNG
DECLARATION OF CONFORMITY

Wir:

We: Future Cleaning Technologies B.V., Hoppenkull 27b, 5626 DD Eindhoven, Netherlands

Erklären in alleiniger Verantwortung, das das Produkt: Schreuersaugmaschine
Declare under our sole responsibility that the product: Scrubber-dryer

I-MOP

(Art der Maschine / Type of machine)

IMOP.XL & IMOP.XXL & IMOP.Lite
und folgende / and following

(Modell – Seriennummer, Baujahr / Model – serial number, year of production)

auf das sich diese Erklärung bezieht, mit den folgenden Normen übereinstimmt,
to which this declaration relates is in conformity with the following standards,

EN 60355-1:02 + A1:04 + A2:06 + A11:06 + A12:06 + A13:08 + A14:10; EN 60335-2-72:09;
EN62233:08; EN 50366:03 + A1:06; EN 55014-1:06 + A1:09 + A2:11;
EN55014-2:97 + A1:01 + A2:08; EN 61000-3-2:06 + A1:09 + A2:09; EN 61000-3-3:08;
EN61000-6-2:05; EN 60335-2-29; EN 61000-6-1; EN 60335-2-67

(Titel und/oder Nummer sowie Aufgabedatum der Norm(en) oder der anderen normativen Dokument(e)
(Title and/or number and data of issue of the standard(s) or other normative document(s))

gemäss die Bestimmungen der Richtlinien:

follow the provision of directives: 2014/30/EU 2006/42/EU 2014/35/EU 2011/65/EU

Eindhoven, 30.07.2019

Frank van de Ven
Director

(Ort und Datum der Ausstellung)

(Name und Unterschrift oder gleichwertige
Kennzeichnung des Befugten)

(Place and Date of issue)

(name and signature or equivalent marking or
authorized person)