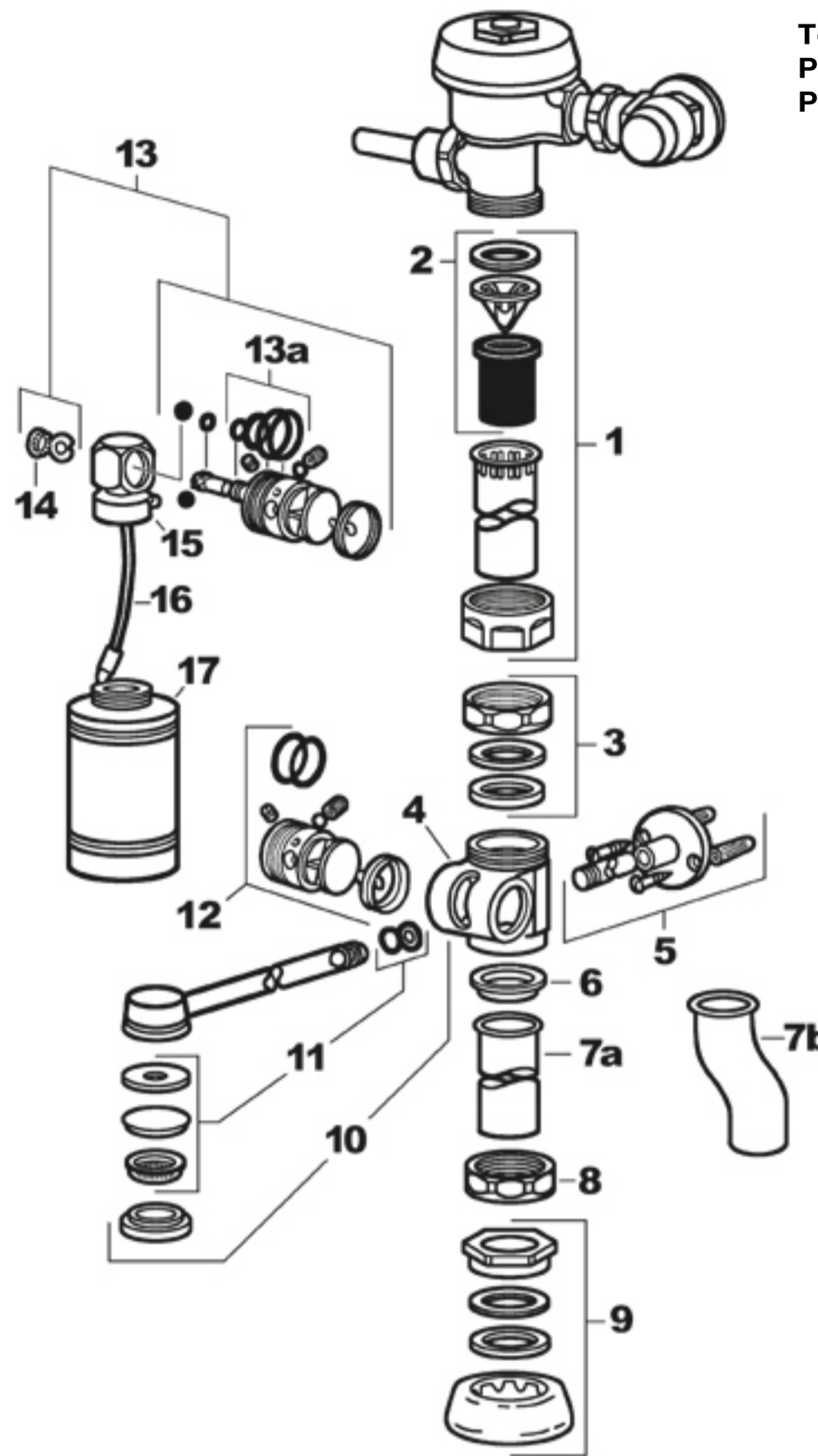


SLOAN BEDPAN WASHER

BEFORE 1998

Toll Free: 800-442-6622
 Pittsburgh: 412-781-9100
 Phone Hours: Mon-Fri: 8am-5:00pm



1	#08725	V600AA	1-1/2" x 21-1/2" CP Vacuum Breaker	11	#08846	DV1007A	Spray Arm Repair Kit
	#80795	V600AA	1-1/2" x 13-1/2" CP Vacuum Breaker (ADA height)	12	#08803	DV1003A	Pivot Replacement Kit
	#08436	V600AA	1-1/2" x 21-1/2" CP Vacuum Breaker with 2" Offset		-		Diverter Valve Assy. & Spray Arm Assy.
2	#08438	V651ABX	Vacuum Breaker Repair Kit	DEOSEPTIC UNIT PARTS			
3	#08812	F2A	1-1/2" Slip Joint Coupling	13	#08802	DV1002A	Deoseptic Pivot Replacement Kit
4	#08329	DV1	Diverter Valve Body (non-deoseptic bottle)	13a	#08354	DO6	O-Ring Piston - 2 required
	#80820	DV17	Diverter Valve Body (deoseptic bottle)	13b	#08355	DV4	Set Screw
5	#08813	DV1001A	Wall Support Kit	13c	#08361	DV16	Diverter Valve Seal Washer
6	#04898	EQUIPARTS	Outlet Tube Gasket	13d	#08360	DV14	Diverter Valve Seal
7a	#80821	F1005	Outlet Tube	14	#80823	DV21	Plug Button
7b	#80073	F182	Outlet Tube with 1-1/2" Offset	15	#80824	DV33A	Swivel & Ball Check Assy.
8	#80822	F2	1-1/2" Coupling Nut	16	#80825	DV36A	Aspirator Tube Assy.
9	#08017	F5AT	1-1/2" Spud Coupling Assy.	17	#80826	DV29	Deoseptic Solution Bottle
10	#08093	DV32AA	Spray Arm Replacement Kit		#8092	DV50A	Repair Seal Set (Most Common)
	#87063	DV1014A	Short Spray Arm Replacement Kit	CALL FOR TECHNICAL ASSISTANCE			