

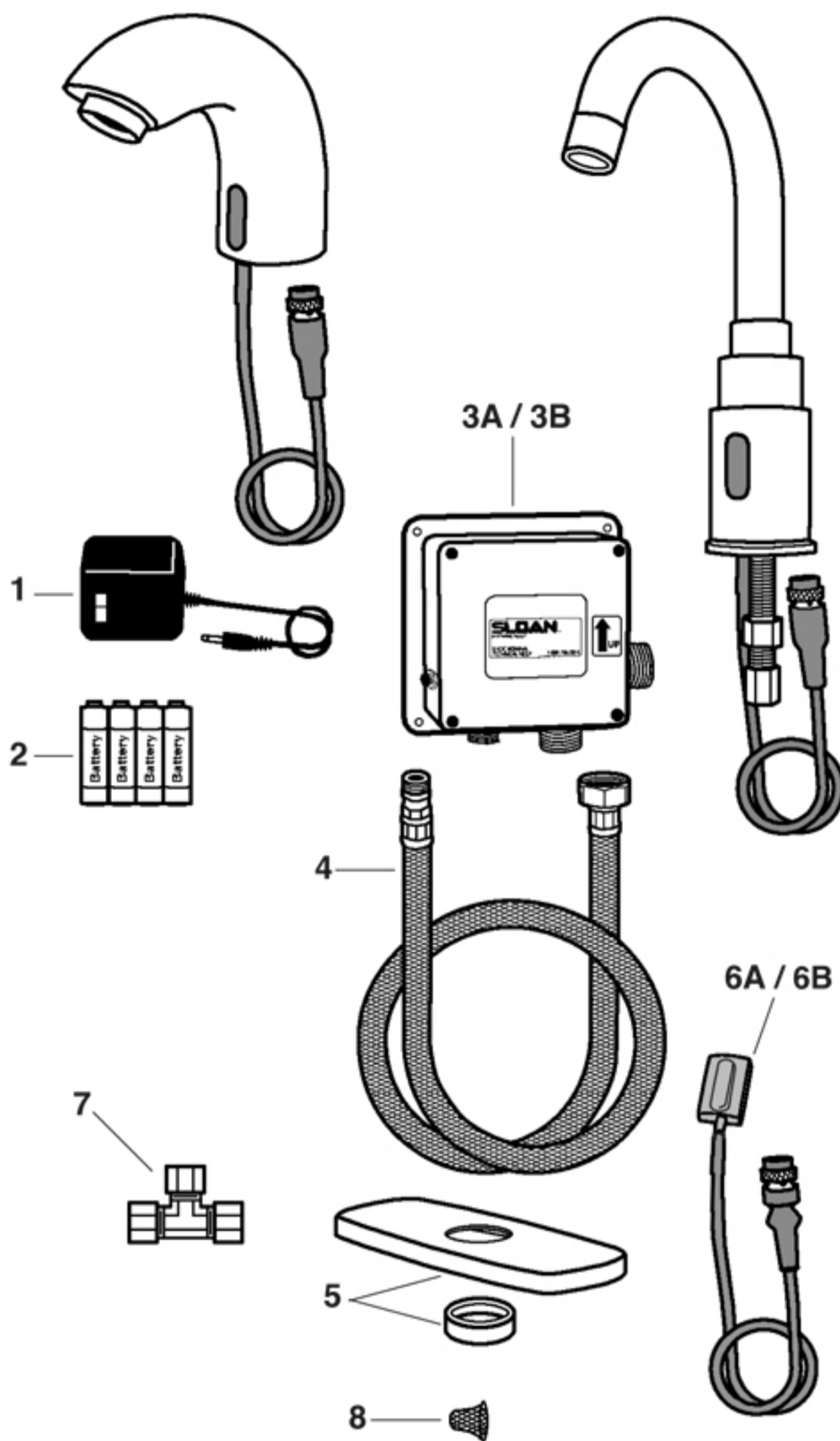
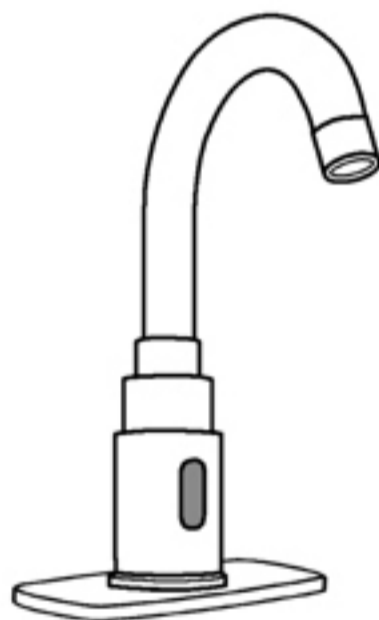
ELECTRONIC FAUCET PARTS

Toll Free: 800-442-6622
 Pittsburgh: 412-781-9100
 Phone Hours: Mon-Fri: 8am-5:00pm

SF-2100 SF-2150



SF-2200 SF-2250



1	#81793	SFP6	110 VAC/6 VDC Plug-In Adapter (US) (Models SF-2100 and SF-2200)	4	#86194	SFP10	Flex Hose, Control Module to Spout (all models)
2	#32737	UNCEN91	Batteries, 4 AA-size (all models)	5	#83827	SFP11	4" Trim Plate with Spacer (all models)
3A	#81114	SFP40A	Control Module with Adjustable Button (6 pin connector) <i>After August of 2008 a range adjustment was added and the module now uses a 6 pin connector. Use with Sensor #83568.</i>	6A	#83568	SFP41A	Sensor Assembly (6 pin connector) <i>Use with Module #81114.</i>
3B	#80298	SFP8	Control Module (old style 4 pin connector) <i>Prior to August of 2008 these units did not have a range adjustment and the module used a 4 pin connector. Use with Sensor #86195.</i>	6B	#86195	SFP34	Sensor Assembly (old style 4 pin connector) <i>Use with Module #80298.</i>
				7	#56794	ETF617A	3/8" Bak-Check® Tee Compression Fitting
				8	#86196	SFP15	Strainer (located in water inlet of control module)