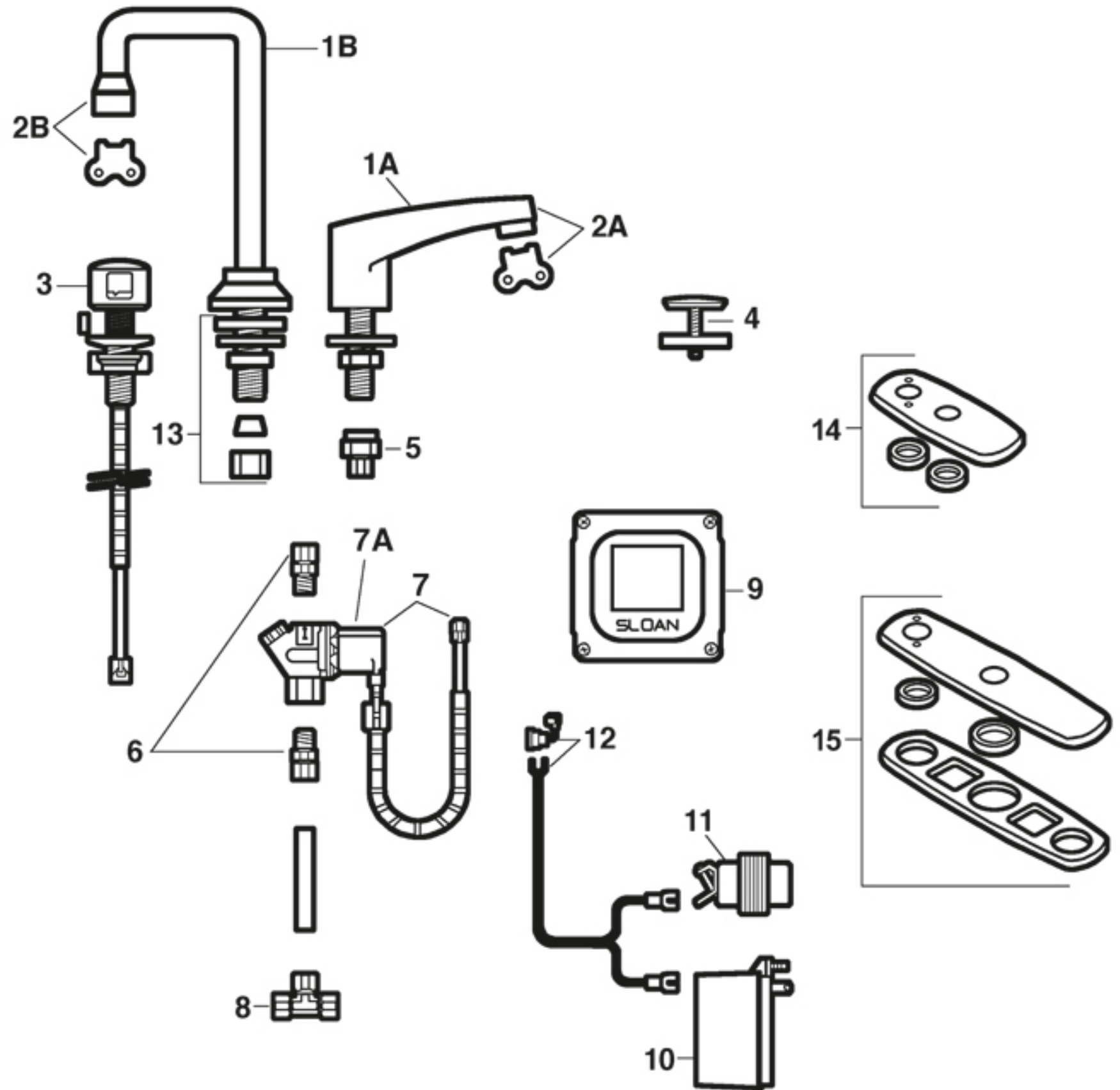


# ELECTRONIC FAUCET PARTS

Toll Free: 800-442-6622  
 Pittsburgh: 412-781-9100  
 Phone Hours: Mon-Fri: 8am-5:00pm

## ETF 660, ETF 770



1A	#SP4389	ETF195A	Faucet Spout Assembly	6	#08634	ETF437A	Fitting Kit
1B	#51021	ETF261A	Gooseneck Faucet Assembly	7	#08367	ETF370A	Solenoid Valve Assembly
2A	#59173	ETF1023A	Spray Head w/Key (male 0.56 gpm)		#08633	ETF1009A	Solenoid Valve Repair Kit Includes replacement filter
	#54683	ETF1024A	Aerator Spray Head w/Key (male 2.2 gpm)	8	#56794	ETF617A	3/8" Bak-Check® Tee
	#54702	F175L	Laminar Flow Spray Head (male 2.2 gpm)	9	#08462	ETF450A	Control Module Assembly
	#SP4386	F179	Spray Head w/Key (male 2.0 gpm)	10	#08377	ETF233	120V/35VA Plug-in Transformer
	#05693	5693	Key Only	11	#54688	EL24840	24V/40VA Box Mount Transformer
2B	#80603	ETF1021A	Spray Head w/Key (fem. 0.5 gpm)	12	#54689	ETF458A	Input Power Cable (Transformer to Control Module) includes strain relief and 2 terminal crimp connectors.
	#50013	5014205	Aerator Spray Head w/Key (fem. 2.2 gpm)	13	#54690	EL310A	Spout Mounting Kit
	#84322	ETF621A	Laminar Flow Spray Head w/Key (fem. 2.2 gpm)	14	#54676	ETF313A	4" Trim Plate Kit
	#54693	ETF435	Key Only	15	#54704	ETF432A	8" Trim Plate Kit
3	#52857	EL3500A	Sensor Assembly	Faucet Cable Extension Cords available on request			
-	-	-	Old Style Sensor Assembly (Obsolete - Use # 8462 & # 52857)				
4	#04625	128B	Cock Hole Cover				
5	#54687	ETF271	Tube Fitting Connector				