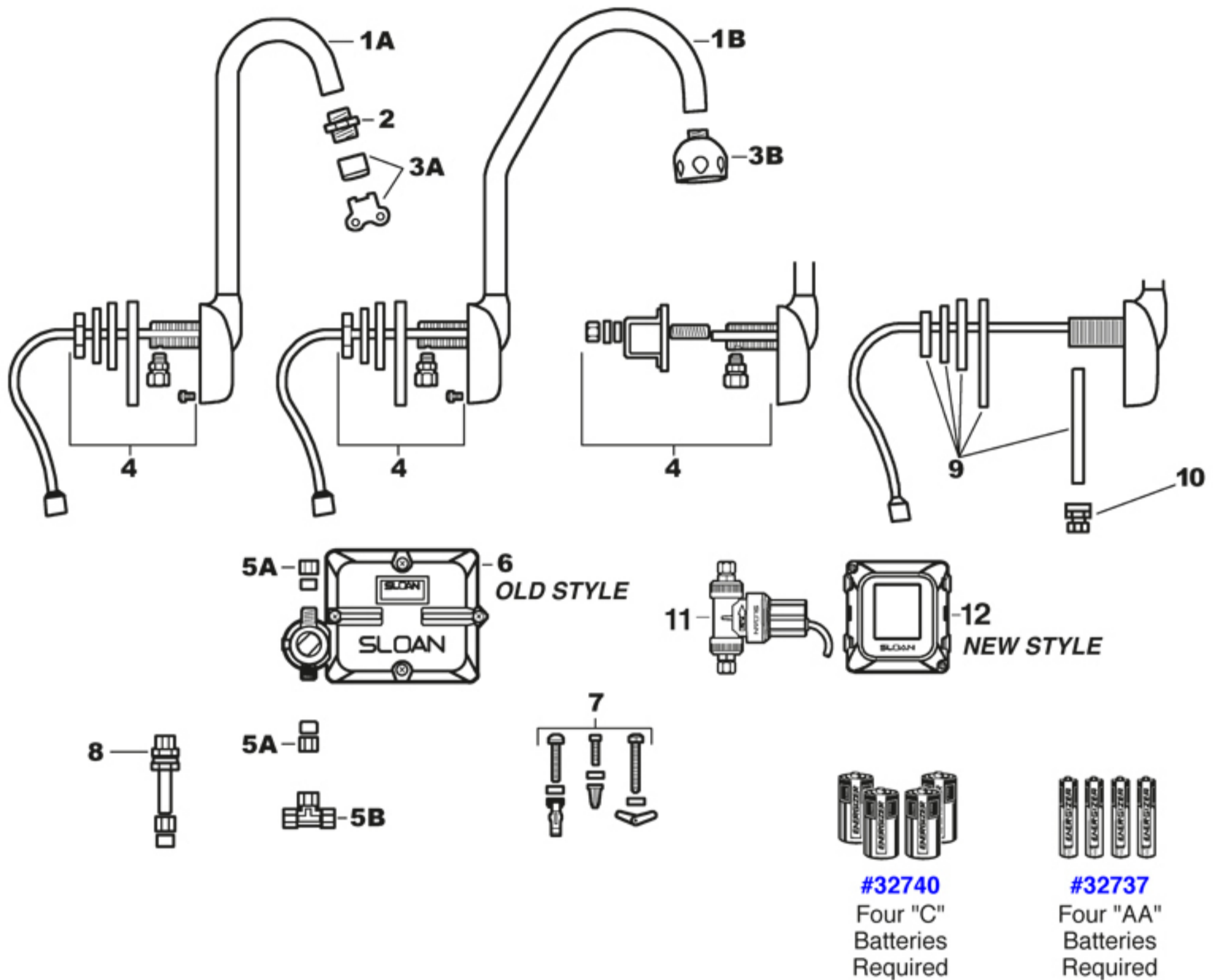


ELECTRONIC FAUCET PARTS

EBF-550 EBF-550-S

Toll Free: 800-442-6622
Pittsburgh: 412-781-9100
Phone Hours: Mon-Fri: 8am-5:00pm



1A	#80762	EBF94A	Faucet and Sensor Assembly with Standard Gooseneck Spout	5A	#80753	EBF113	Single Solenoid Supply Kit includes two Compression Nuts, two Compression Sleeves, and Screwdriver
	#80767	EBF107A	Sensor & Cable Only	5B	#56794	ETF617A	3/8" Bak-Check® Tee
1B	#80763	EBF95A	Faucet and Sensor Assembly with Surgical Bend Gooseneck Spout	6	#54325	EBF60A	Old Style Control Module Assembly includes Base Enclosure, Cover Enclosure, two Gaskets, Solenoid Body, Solenoid Enclosure, Solenoid Filter Cap, and Battery Stop. Uses four "C" batteries (#32740)
	#80767	EBF107A	Sensor & Cable Only	7	#54686	EBF79A	Mounting Hardware Kit for Control Module Assy. includes four Anchor Nuts, four Toggle Nuts, four Mounting Screws for Base Plate, four Flat Washers, four Anchors, and four Metal Screws.
2	#80751	ETF178	Adapter for Spray Heads (not required for AC-55-A Shower Spray Head)	8	#08218	ETF470A	Back Check
3A	#80603	ETF1021A	0.5 gpm Spray Head w/Key (fem. thread)	9	Call For Assistance		
	#50013	5014205	2.2 gpm Aerator Spray Head w/Key (fem. thread)	10	#54685	ETF547	1/8" NPT Pipe to 3/8" Compression
	#84322	ETF621A	2.2 gpm Laminar Flow Spray Head w/Key (fem. thread)	11	#81784	ETF740A	New Style Solenoid Assembly
	#54693	ETF435	Replacement VP Key only	12	#81785	ETF735	New Style Control Module Assy. Uses Four "AA" Batteries (#32737) & Phone Jack
3B	#80750	AC55A	Shower Spray Head Assembly 2.2 gpm				
4	Call For Assistance						