

► **Code Number**
2102449

► **Description**
Vitreous china floor mounted TAS compliant water closet.

► **Flush Cycle**

- Flush volume is determined by the flushometer used with fixture
- 1.1 to 1.6 gpf/4.2 to 6.0 Lpf

► **Fixture Specification**

- Floor mounted, Floor outlet
- Complies with Texas Accessibility Standards (TAS) for juveniles
- Siphon jet flushing action achieves 1000g Map score when used with any Sloan flushometer
- 2 1/8" fully glazed trapway diameter
- Integral flushing rim
- Elongated bowl
- Water spot area 10" x 7-1/2"
- Closet bolts and caps included
- Toilet seat not included
- 1-1/2" I.P.S. top spud inlet
- White Vitreous china

► **Recommended Seats**

- Bemis - 1955CT/1955SSCT & 2155CT/2155SSCT
- Church - 295CT/295SSCT & 2155CT/2155SSCT

► **Plumbing System Requirements**

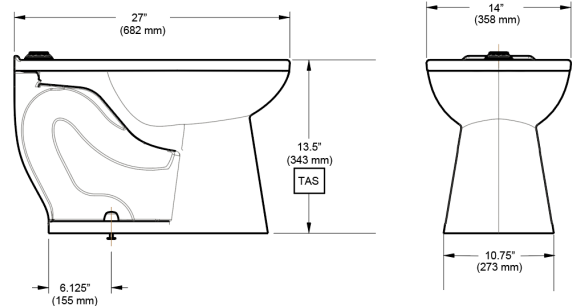
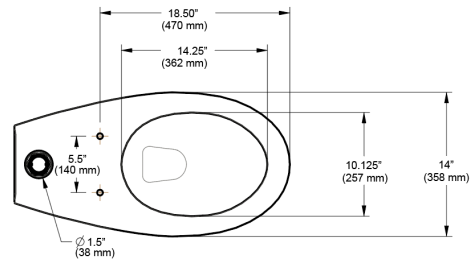
- Maximum Static Pressure: 80 PSI
- Minimum Flowing Pressure: 25 PSI
- Minimum Flow Rate: 25 GPM

► **Product Specification**

- Elongated water closet shall be made of vitreous china with a 1-1/2" top spud. Bowl shall be Compliant to TAS juvenile standards. Water Closet shall be Sloan Model ST-2449.

► **Notes**

- All information contained in this document subject to change without written notice
- This model meets the requirements for a High Efficiency Toilet when used with a high efficiency flushometer (1.28 gpf/4.8 Lpf or 1.1/1.6 gpf-4.2/6.0 Lpf dual-flush).
- NOTE: All vitreous china dimensions shown in these drawings are nominal and not to scale. Dimensions can vary within the tolerances established in the governing ASME A112.19/CSA B45.1 standard. It is important to consider this when planning rough-in and plumbing layouts.



► **Compliance & Certifications**



This space for Architect/Engineer Approval

