

► **Code Number**

2102229

► **Description**

Complete ADA compliant vitreous china water closet.

► **Flush Cycle**

1.1 to 1.6 gpf / 4.2 to 6.0 Lpf

Flush Volume determined by Flushometer

► **Fixture Specifications**

- Vitreous china
- Floor mounted
- ADA compliant
- Siphon jet flush
- 1 1/2" I.P.S. top spud inlet
- 2" rear outlet trapway diameter
- Fully glazed trapway
- Integral flushing rim
- Elongated bowl
- Water spot area 10 1/4" x 8"
- Closet bolts and caps included
- Water closet compliant to the applicable sections of ASME A112.19.2/CSA B45.1
- Toilet seat not included

► **Colors/Finishes**

White

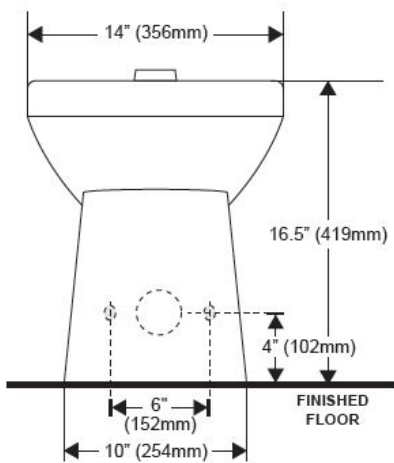
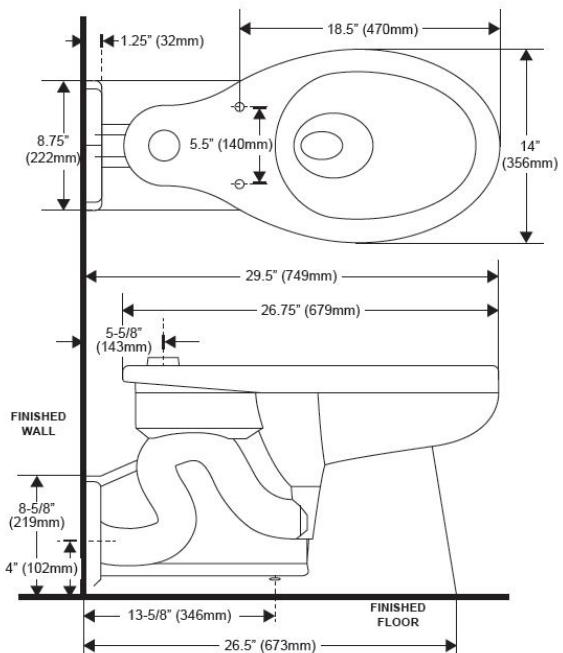
► **Recommended Seats**

Bemis - 1955CT/1955SSCT & 2155CT/2155SSCT

Church - 295CT/295SSCT & 2155CT/2155SSCT

► **Plumbing System Requirements**

- Maximum Static Pressure: 80 PSI
- Minimum Flowing Pressure: 25 PSI
- Minimum Flow Rate: 18 GPM



► **Disclaimer**

NOTE: All vitreous china dimensions shown in these drawings are nominal and not to scale. Dimensions can vary within the tolerances established in the governing ASME A112.19.2/CSA B45.1 standard. It is important to consider this when planning rough-in and plumbing layouts.

► **Compliance**



ASME A112.19.2/CSA B45.1

This space for Architect/Engineer Approval

**SLOAN  
REPAIR  
.COM**

TOLL FREE: 800-442-6622  
[www.store.sloanrepair.com](http://www.store.sloanrepair.com)