

► Code Number

3873001

► SPECIFICATIONS

- White vitreous china
- Front Overflow
- ADA compliant when mounted with lavatory mounted at 34" from finished floor. See illustration for recommended ADA installation
- 19.5" (495 mm) x 16.5" (419 mm)

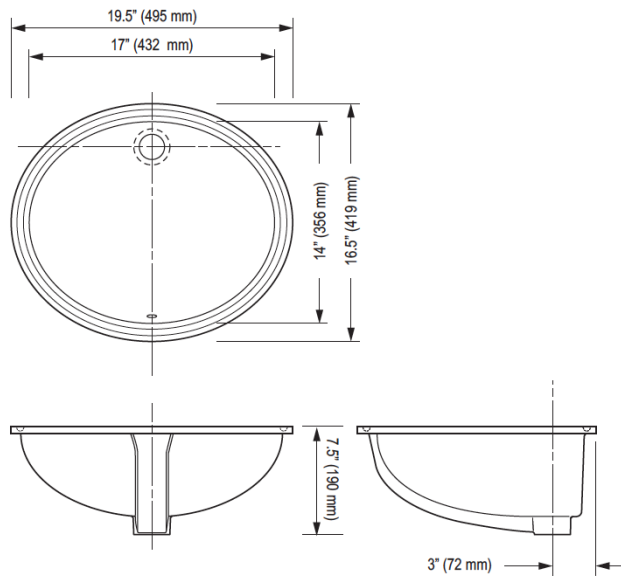
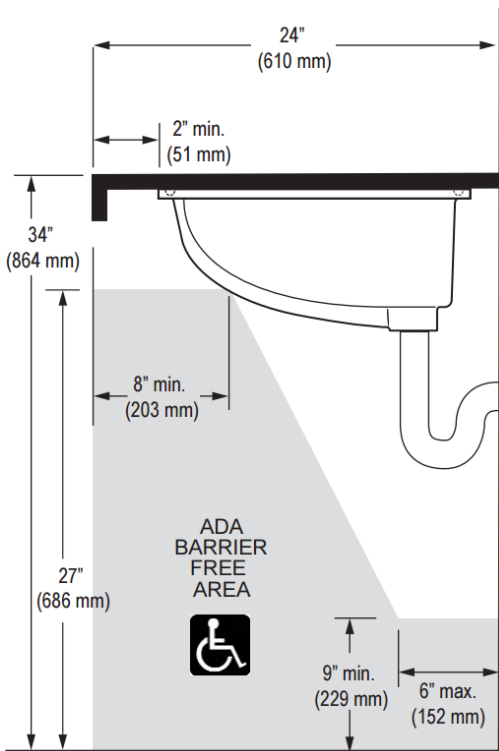
► Product Specification

Sink shall be made of vitreous china with an overflow. Sink shall be under mounted. Sink shall have an overflow. Sink shall be Sloan Model SS-3001.

► Description

Vitreous china undermounted, oval lavatory

► ROUGH-IN



► Disclaimer

All information contained within this document subject to change without notice.

NOTE: All vitreous china dimensions shown in these drawings are nominal and not to scale. Dimensions can vary within the tolerances established in the governing ASME A112.19.2/CSA B45.1 standard. It is important to consider this when planning rough-in and plumbing layouts.

► Compliance



ASME A112.19.2/CSA B45.1

This space for Architect/Engineer Approval

