

CODE NUMBER

3325502

DESCRIPTION

GEM Adapter, Polished Chrome Finish, Fixture Connection Top Spud, Single Flush, Battery, Exposed Sensor Urinal/Water Closet Retrofit Flushometer.

DETAILS

- Finish: Polished Chrome (CP)
- Power Type: Battery ()
- Battery Life: 3 years
- Valve: Diaphragm/Piston
- Fixture Type: Urinal/Water Closet
- Fixture Connection: Top Spud
- Adapter: GEM Adapter (GEM)

FEATURES

- Non-Hold-Open True Mechanical Override Full Flush Button
- Four (4) Size C alkaline Batteries included
- 72-Hour Sentinel Flush
- “Low Battery” Flashing LED
- “User in View” Flashing LED
- No External Volume Adjustment to Ensure Water Conservation



COMPLIANCES & CERTIFICATIONS



(ADA Compliant, BREEAM Water Credit, cUPC Certified, Green Globes Water Credit)

ELECTRICAL SPECIFICATIONS

- Arming Delay: 1-3 seconds
- Battery Life: 3 years
- Control Circuit: 6 VDC Input/72 Hour Sentinel Flush/Solid State
- Sensor Range: 22" - 42" (559 - 1,067mm)

VALVE OPERATING PRESSURE (FLOWING)

15-80 PSI (103-552 kPa). Specific fixtures may require greater minimum flowing pressure - consult manufacturer requirements.

DOWNLOADS

- [EBV-500/550-A Installation Instructions](#)
- [EBV-500/550-A Installation Instructions - Spanish](#)
- [EBV500/EBV550 Repair and Maintenance Guide](#)
- [Additional Downloads](#)

NOTES

All information contained within this document subject to change without notice.

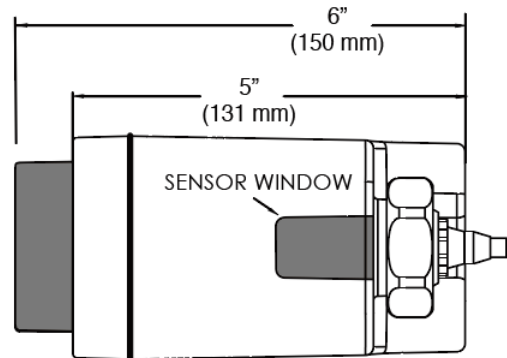
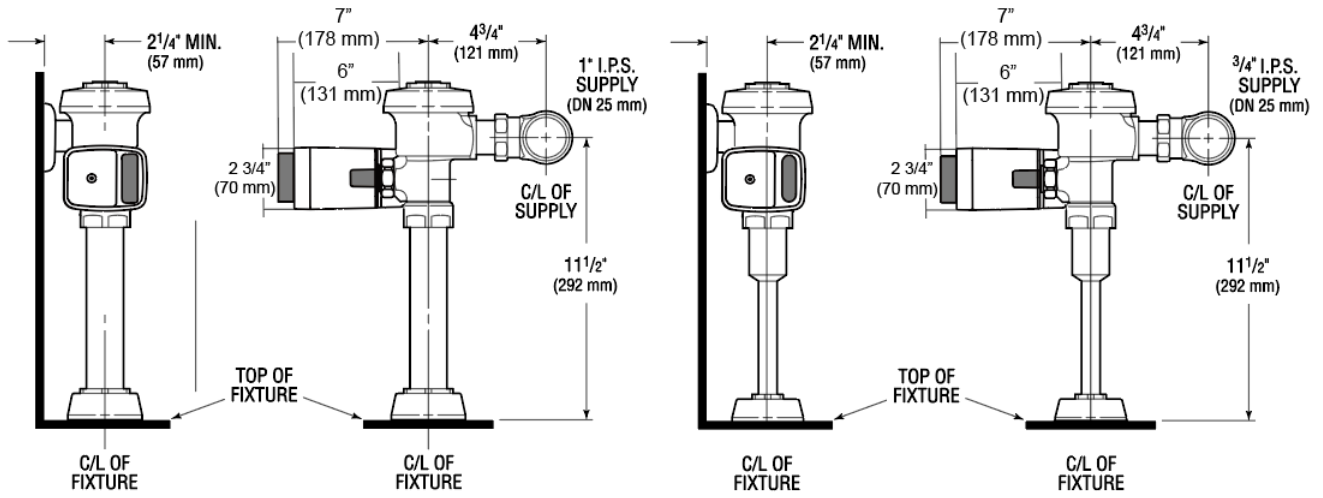
Looking for other variations of the EBV500A product? [View the general spec sheet with all options.](#)

[Find a compatible urinal](#) for this flushometer.

[Find a compatible water closet](#) for this flushometer.



ROUGH-IN





**SLOAN
REPAIR
.COM**

TOLL FREE: 800-442-6622
www.store.sloanrepair.com