

**CODE NUMBER**

3305201

**DESCRIPTION**

Polished Chrome Finish, Fixture Connection Top Spud, Single Flush, Hardwired, Exposed Sensor Urinal/Water Closet Retrofit Flushometer.

**DETAILS**

- Finish: Polished Chrome (CP)
- Power Type: Hardwired (HW)
- Valve: Diaphragm
- Valve Body Material: Semi-red Brass
- Fixture Type: Urinal/Water Closet
- Fixture Connection: Top Spud

**FEATURES**

- “User in View” Flashing LED
- Sensor with Automatic Range Adjustment
- Mechanical Manual Override Flush Handle
- Sentinel Flush Mode



**COMPLIANCES & CERTIFICATIONS**



(ADA Compliant, BREEAM Water Credit, cUPC Certified, Green Globes Water Credit, UL Certified)

**RECOMMENDED SPECIFICATION**

Valve Body, Cover, Tailpiece and Control Stop shall be in conformance with ASTM Alloy Classification for Semi- Red Brass. Valve shall be in compliance with the applicable sections of ASSE 1037 and ANSI/ASME 112.19.2.

**VALVE OPERATING PRESSURE (FLOWING)**

15–80 PSI (103–552 kPa). Specific fixtures may require greater minimum flowing pressure - consult manufacturer requirements.

**DOWNLOADS**

- [EL600A Smooth Side Mount Repair and Maintenance Guide](#)
- [Additional Downloads](#)

**NOTES**

All information contained within this document subject to change without notice.

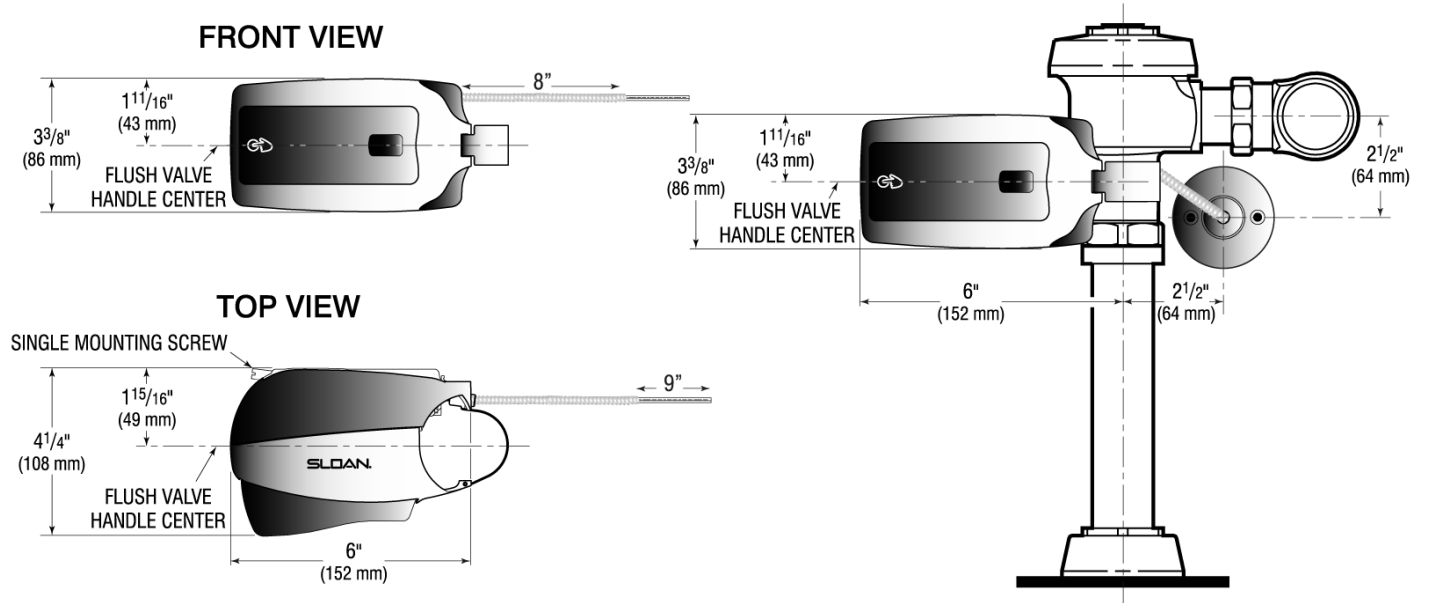
Looking for other variations of the EL600A product? [View the general spec sheet with all options.](#)

[Find a compatible urinal](#) for this flushometer.

[Find a compatible water closet](#) for this flushometer.



**ROUGH-IN**



**SLOAN  
REPAIR  
.COM**

TOLL FREE: 800-442-6622  
[www.store.sloanrepair.com](http://www.store.sloanrepair.com)