

**CODE NUMBER**

0325105

**DESCRIPTION**

Polished Chrome Finish, Fixture Connection Top Spud, Single Flush, Battery, Exposed Sensor Urinal/Water Closet Retrofit Flushometer.

**DETAILS**

- Finish: Polished Chrome (CP)
- Power Type: Battery ( )
- Battery Life: 3 years
- Valve: Diaphragm
- Fixture Type: Urinal/Water Closet
- Fixture Connection: Top Spud

**FEATURES**

- Indicator Lights - user in view and low battery
- Optional 24 hour sentinel flush

**COMPLIANCES & CERTIFICATIONS**

(BREEAM Water Credit, Green Globes Water Credit)

**ELECTRICAL SPECIFICATIONS**

- Battery Life: 3 years
- Control Circuit: 6 VDC Input/24 Hour Sentinel Flush/Solid State

**VALVE OPERATING PRESSURE (FLOWING)**

15-80 PSI (103-552 kPa). Specific fixtures may require greater minimum flowing pressure - consult manufacturer requirements.

**DOWNLOADS**

- [Side Mount Operator Unit Installation Instructions](#)
- [EBV-89A Side Mount Repair and Maintenance Guide](#)
- [Additional Downloads](#)

**NOTES**

All information contained within this document subject to change without notice.

Looking for other variations of the EBV89A product? [View the general spec sheet with all options.](#)

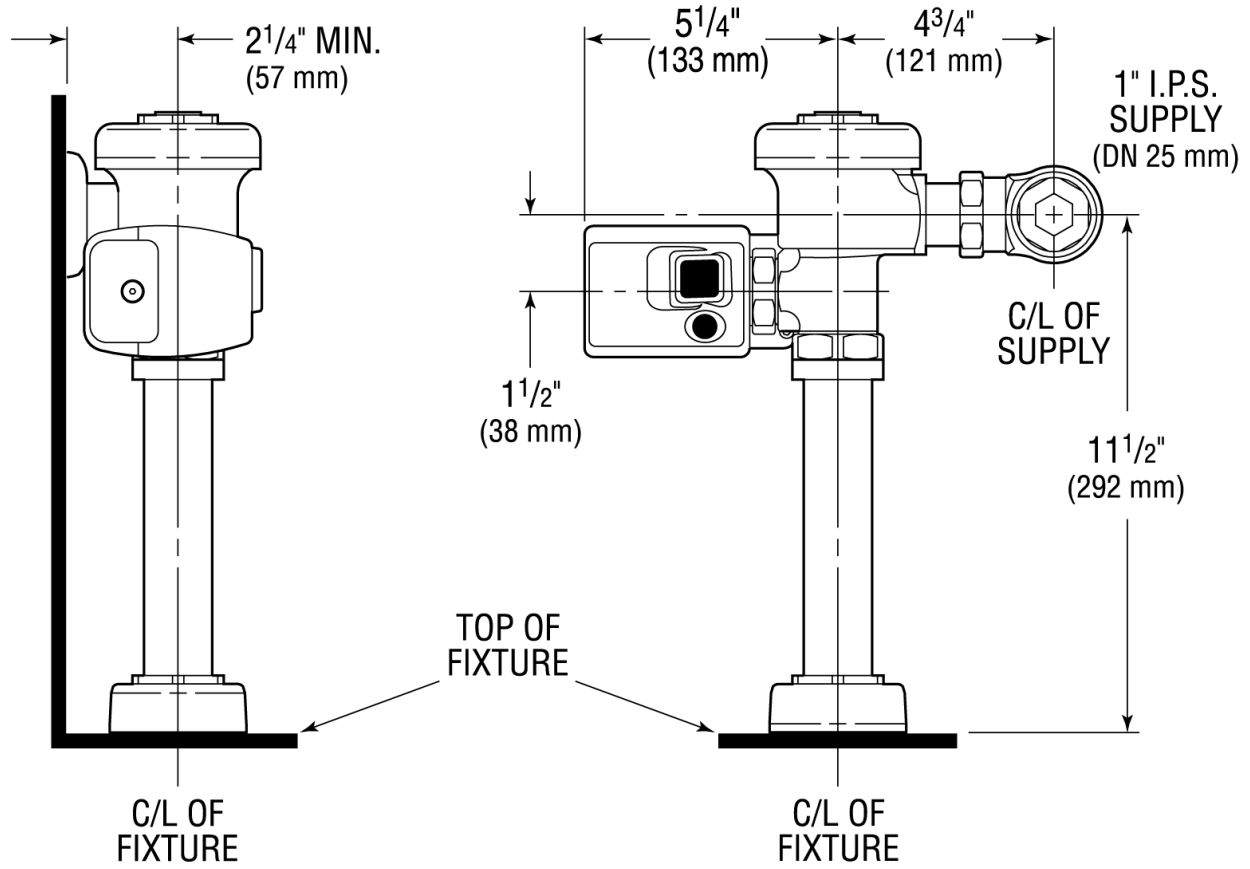
[Find a compatible urinal](#) for this flushometer.

[Find a compatible water closet](#) for this flushometer.



**ROUGH-IN**

Side Mount Operator unit shown on an existing Sloan Regal  
Model 110/111 Closet Flushometer





**SLOAN  
REPAIR  
.COM**

TOLL FREE: 800-442-6622  
[www.store.sloanrepair.com](http://www.store.sloanrepair.com)