

CODE NUMBER

3830001

DESCRIPTION

Mobile Handwashing Station with SF-2250 Sensor-operated Faucet and Stainless Steel Counter with Stainless Steel Drop-in Sink and Hot Water Heater.

DETAILS

- Material: Stainless Steel
- Power Type: AC

FEATURES

Mobile Handwashing Station with the following features:

- Dimensions: 34 1/4" W x 27" D x 56 3/16" H
- AC powered option - requires twist lock connector (twist lock plug supplied)
- Sloan® SF-2250 Sensor-operated Faucet
- Purell® CS-8 Wall-mounted Sensor Foam Soap Dispenser
- Touchless enMotion® Paper Towel Dispenser
- Stainless steel counter with stainless steel drop-in sink
- Trash bag holder
- Pull handle for easy relocation
- Lockable caster wheels
- Includes hot water heater
- 16 gallon greywater tank
- Includes back panel graphics with CDC handwashing guidelines
- Requires external water supply (3/4" water connection)
- BAA (Buy American Act) compliant



COMPLIANCES & CERTIFICATIONS



(BAA Compliant)

RECOMMENDED SPECIFICATION

Mobile Handwashing Station model no. MH-1500. Product to be fabricated with stainless countertop and stainless steel drop-in bowl. Includes Sloan sensor-operated faucet. Includes wall-mounted sensor foam soap dispenser and sensor-operated paper towel dispenser. Includes 16 gallon greywater tank. Includes point of use hot water heater. Supplied with enclosure and lockable caster wheels. Requires external water supply (3/4" water connection). Use AC power (twist lock plug supplied, site needs to purchase twist lock connector).

DOWNLOADS

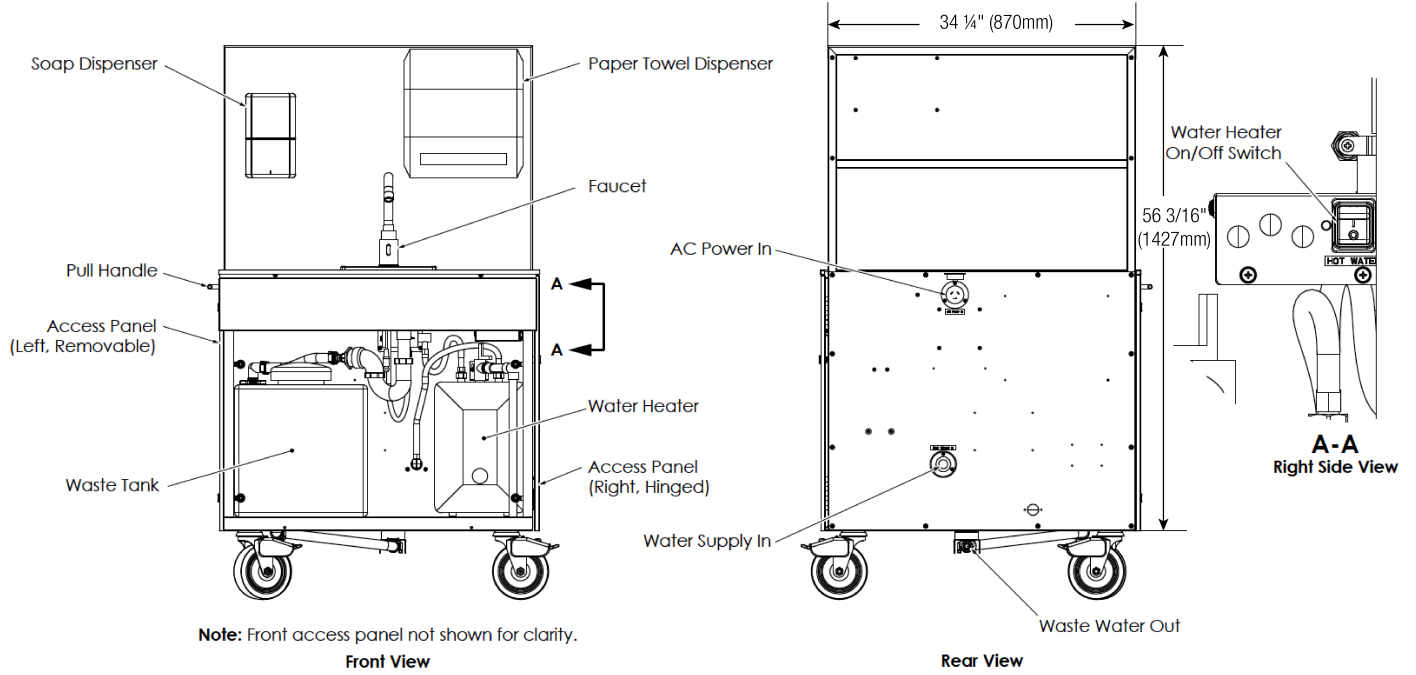
- [MH-1050 Installation Instructions](#)
- [Additional Downloads](#)

NOTES

All information contained within this document subject to change without notice.



ROUGH-IN




**SLOAN
REPAIR
.COM**
 TOLL FREE: 800-442-6622
www.store.sloanrepair.com