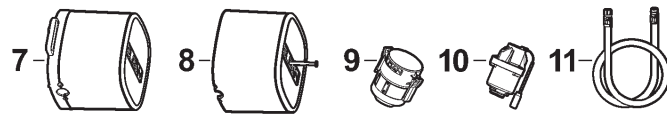
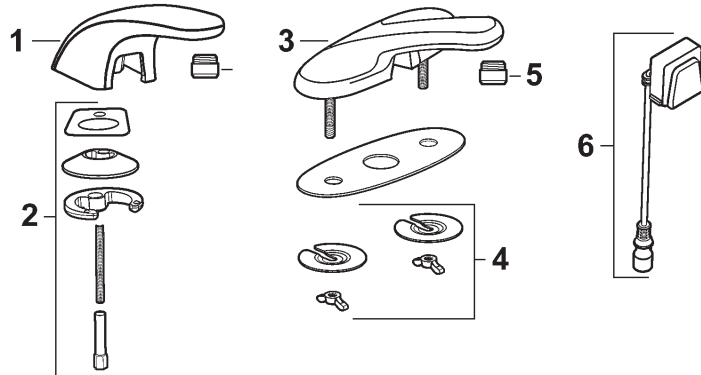


# SLOAN ELECTRONIC FAUCETS

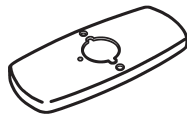
**2019 - Present**

**SLOAN**

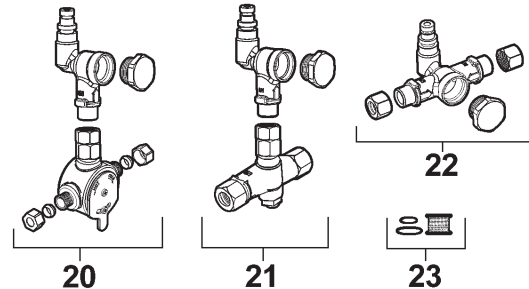
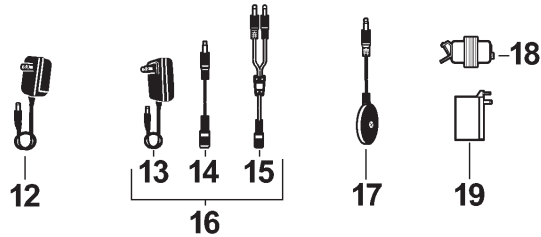
**ETF-600    EBF-615**  
**ETF-610    EBF-650**



**#57131**  
8" Mounting Plate



**#58166**  
4" Mounting Plate



1	<b>#68765</b>	Spout Assembly - ETF-610, EBF-615	11	<b>#68749</b>	Quick Connect Spout Hose
2	<b>#68766</b>	Spout Mounting Assy. - ETF-610, EBF-615	12	<b>#81793</b>	110V/6VDC Power Supply
3	<b>#68759</b>	Spout Assembly - ETF-600, EBF-650	13	<b>#68757</b>	230V/6VDC Power Supply
4	<b>#68761</b>	Spout Mounting Assy. - ETF-600, EBF-650	14	<b>#86172</b>	Extension Cable
5	<b>#85444</b>	VP Aerator 2.2 GPM, Laminar	15	<b>#67391</b>	Splitter Cable
	<b>#68763</b>	VP Aerator 1.5 GPM, Laminar	16	<b>#68758</b>	Gang Adapter Kit
	<b>#59173</b>	VP Aerator 0.5 GPM, Multi-Laminar	17	<b>#68756</b>	24 VAC Power Harness Assembly
	<b>#68762</b>	VP Aerator 0.35 GPM, Multi-Laminar	18	<b>#54688</b>	24 VAC Power Supply (Box Mount)
6	<b>#68760</b>	Sensor & Cable Assembly	19	<b>#08377</b>	24 VAC Power Supply
	<b>#68746</b>	Control Box - No Turbine	20	<b>#68753</b>	Manual Mixing Valve & Single Inlet Tee
7	<b>#68747</b>	Control Box - With Turbine 0.5 GPM	21	<b>#68754</b>	Thermostatic Mixing Valve & Single Inlet Tee
	<b>#68748</b>	Control Box - With Turbine 1.5 GPM	22	<b>#68752</b>	Double Inlet Tee Filter Assy. Kit
8	<b>#68750</b>	Control Box Cover & Screw Only	23	<b>#68755</b>	Replacement Filter Pack 1 Filter, 5 Large O-Rings, 5 Small O-Rings
9	<b>#84755</b>	Battery Pack			
10	<b>#68778</b>	Solenoid Assembly			