

CODE NUMBER

3080053

DESCRIPTION

1.6 gpf, Polished Chrome Finish, Fixture Connection Top Spud, Single Flush, Regal® Exposed Manual Water Closet Flushometer.

DETAILS

- Flush Volume: 1.6 gpf (6.0 Lpf)
- Finish: Polished Chrome (CP)
- Valve: Diaphragm
- Valve Body Material: Semi-red Brass
- Fixture Type: Water Closet
- Fixture Connection: Top Spud
- Rough-In Dimension: 11 ½" (292mm)
- Spud Coupling: 1 ½" (38mm)
- Supply Pipe: 1" (25mm)

FEATURES

- ADA Compliant Metal Oscillating Non-Hold-Open Handle
- 1" I.P.S. Screwdriver Bak-Chek® Angle Stop
- Control Stop Plug
- Sweat Solder Adapter with Cover Tube
- Cast Wall Flange with Set Screw
- Vacuum Breaker Flush Connection
- Non-Hold-Open Handle and No External Volume Adjustment to Ensure Water Conservation

**COMPLIANCES & CERTIFICATIONS**

(ADA Compliant, cUPC Certified, BAA Compliant)

RECOMMENDED SPECIFICATION

Valve Body, Cover, Tailpiece and Control Stop shall be in conformance with ASTM Alloy Classification for Semi- Red Brass. Valve shall be in compliance with the applicable sections of ASSE 1037 and ANSI/ASME 112.19.2.

VALVE OPERATING PRESSURE (FLOWING)

15-80 PSI (103-552 kPa). Specific fixtures may require greater minimum flowing pressure - consult manufacturer requirements.

DOWNLOADS

- [Regal XL Exposed Installation Instructions](#)
- [Control Stop Repair and Maintenance Guide](#)
- [Flush Connections Flanges Repair and Maintenance Guide](#)
- [Tail Piece Repair and Maintenance Guide](#)
- [Regal Flushometers Repair and Maintenance Guide](#)
- [Flushometer Pressure gauges](#)
- [Additional Downloads](#)

NOTES

All information contained within this document subject to change without notice.

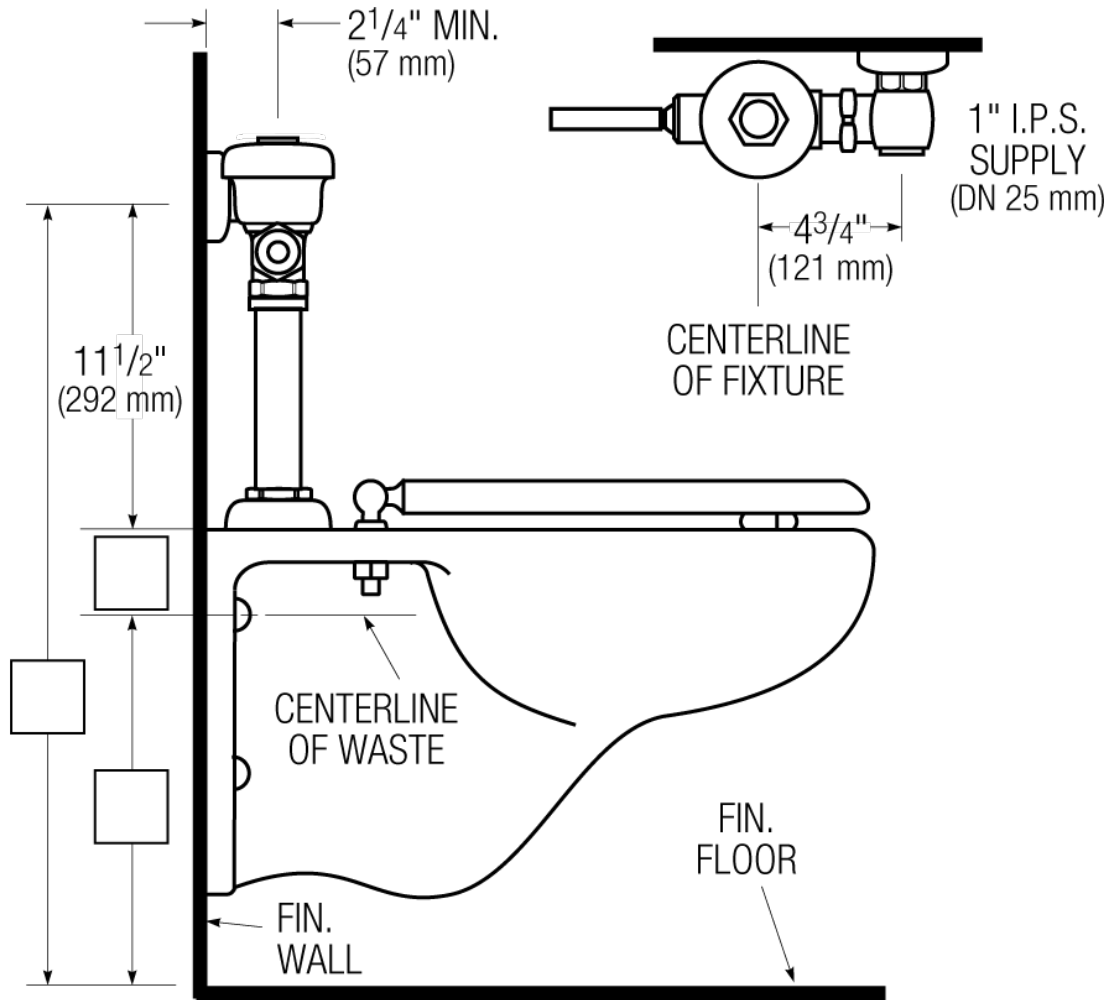
Looking for other variations of the REGAL 111 product? [View the general spec sheet with all options.](#)

[Find a compatible urinal](#) for this flushometer.

[Find a compatible water closet](#) for this flushometer.



ROUGH-IN



**SLOAN
REPAIR
.COM**

TOLL FREE: 800-442-6622
www.store.sloanrepair.com

CODE NUMBER

3325500

DESCRIPTION

Polished Chrome Finish, Fixture Connection Top Spud, Single Flush, Battery, Exposed Sensor Urinal/Water Closet Retrofit Flushometer.

DETAILS

- Finish: Polished Chrome (CP)
- Power Type: Battery ()
- Battery Life: 3 years
- Valve: Diaphragm/Piston
- Fixture Type: Urinal/Water Closet
- Fixture Connection: Top Spud

FEATURES

- ADA Compliant Battery powered infrared side mount sensor for automatic “No Hands” operation
- Four (4) size C batteries included
- Non-Hold-Open True Mechanical Override Full Flush Button
- “Low Battery” Flashing LED
- “User in View” Flashing LED
- 72-Hour Sentinel Flush
- Estimated battery life - 3 years at 4000 cycles per month
- Sensor with Automatic Range Adjustment



COMPLIANCES & CERTIFICATIONS



(ADA Compliant, BREEAM Water Credit, cUPC Certified, Green Globes Water Credit)

ELECTRICAL SPECIFICATIONS

- Arming Delay: 1-3 seconds
- Battery Life: 3 years
- Control Circuit: 6 VDC Input/72 Hour Sentinel Flush/Solid State
- Sensor Range: 22" - 42" (559 - 1,067mm)

VALVE OPERATING PRESSURE (FLOWING)

15-80 PSI (103-552 kPa). Specific fixtures may require greater minimum flowing pressure - consult manufacturer requirements.

DOWNLOADS

- [EBV-500/550-A Installation Instructions](#)
- [EBV-500/550-A Installation Instructions - Spanish](#)
- [EBV500/EBV550 Repair and Maintenance Guide](#)
- [Additional Downloads](#)

NOTES

All information contained within this document subject to change without notice.

Looking for other variations of the EBV500A product? [View the general spec sheet with all options.](#)

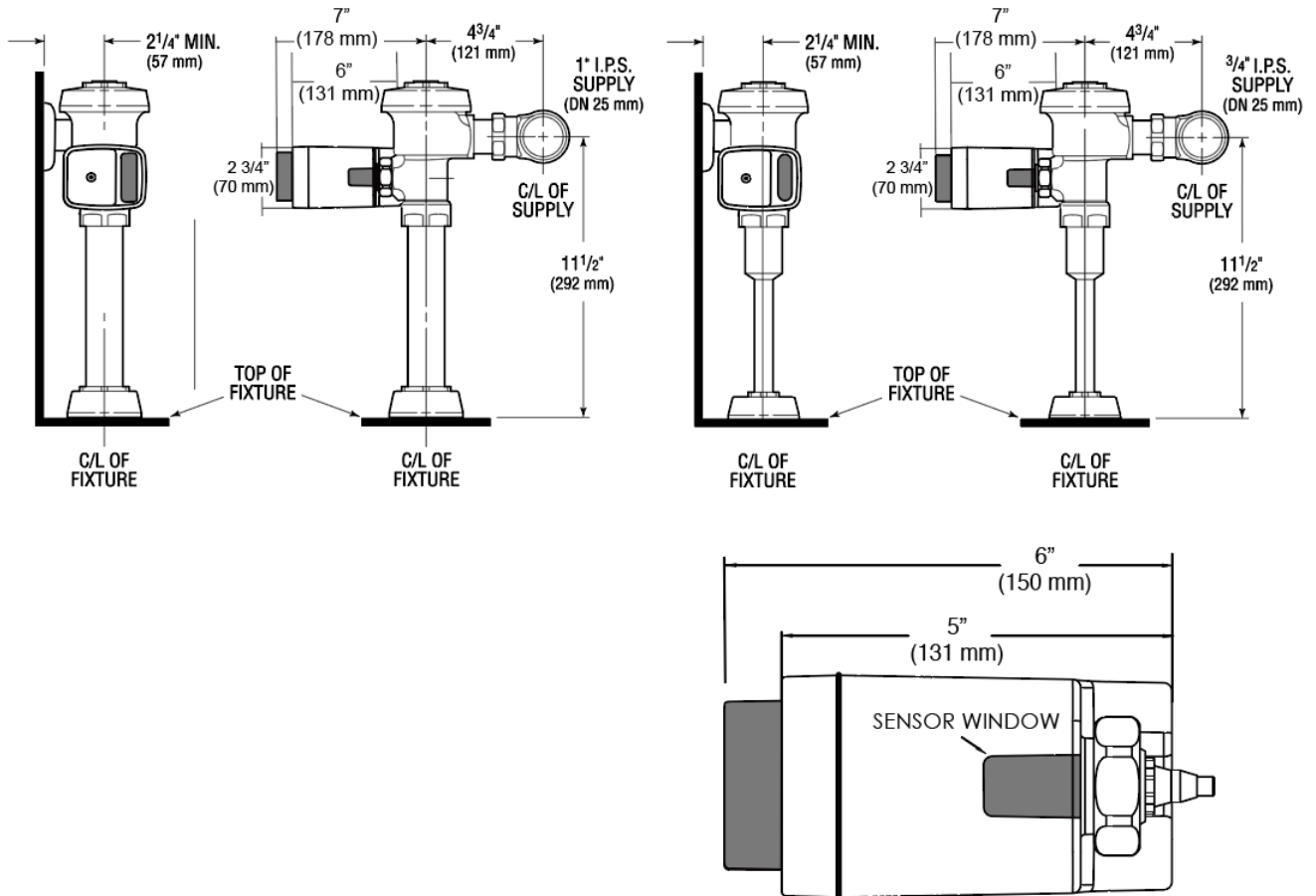
[Find a compatible urinal](#) for this flushometer.

[Find a compatible water closet](#) for this flushometer.

Battery life varies according to actual usage and restroom conditions.



ROUGH-IN



**SLOAN
REPAIR
.COM**

TOLL FREE: 800-442-6622
www.store.sloanrepair.com