

**CODE NUMBER**

3790096

**DESCRIPTION**

0.5 gpf, Dual-Filtered Fixed Bypass Diaphragm, Polished Chrome Finish, Fixture Connection , Single Flush, Battery, Sloan® Exposed Sensor Urinal Flushometer.

**DETAILS**

- Flush Volume: 0.5 gpf (1.9 Lpf)
- Finish: Polished Chrome (CP)
- Power Type: Battery
- Battery Life: 6 years
- Valve: Diaphragm
- Bypass: Dual-Filtered Fixed Bypass Diaphragm (DFB)
- Valve Body Material: Semi-red Brass
- Fixture Type: Urinal

**FEATURES**

- Chrome plated all-metal zinc die cast sensor housing with tempered glass window and no visible fasteners
- High chloramine resistant PERMEX synthetic rubber diaphragm with DFB
- Valve body, Tailpiece and Control Stop shall be in compliance with ASTM Alloy Classification for Semi-Red Brass
- Valve shall be in compliance to the applicable sections of ASSE 1037.
- Courtesy Flush® Override Button
- ADA-compliant flushometer automatically operates by means of a infrared sensor with multiple-focused, lobular sensing fields for high and low target detection
- Fixed metering bypass and no external volume adjustment to ensure water conservation
- Adjustable tailpiece to accommodate different horizontal requirements
- High copper, low zinc brass castings for dezincification resistance
- Available in 0.125, 0.25, 0.5 & 1.0 models
- Watersense compliant when used with a watersense compliant fixture



**COMPLIANCES & CERTIFICATIONS**



(ADA Compliant, BAA Compliant, cUPC Certified, cUPC Green Certified, Satisfies LEED Credits, WaterSense Listed, LEED V4 Water Efficiency Credit)

**ELECTRICAL SPECIFICATIONS**

- Battery Life: 6 years

**VALVE OPERATING PRESSURE (FLOWING)**

15-80 PSI (103-552 kPa). Specific fixtures may require greater minimum flowing pressure - consult manufacturer requirements.

**DOWNLOADS**

- [Optima Plus Valve Installation Instructions](#)
- [Sloan Optima Plus Repair and Maintenance Guide](#)
- [Tail Piece Repair and Maintenance Guide](#)
- [Flush Connections Flanges Repair and Maintenance Guide](#)
- [Control Stop Repair and Maintenance Guide](#)
- [Flushometer Pressure gauges](#)
- [Additional Downloads](#)

**NOTES**

All information contained within this document subject to change without notice.

Looking for other variations of the Sloan 8186 MC product? [View the general spec sheet with all options.](#)

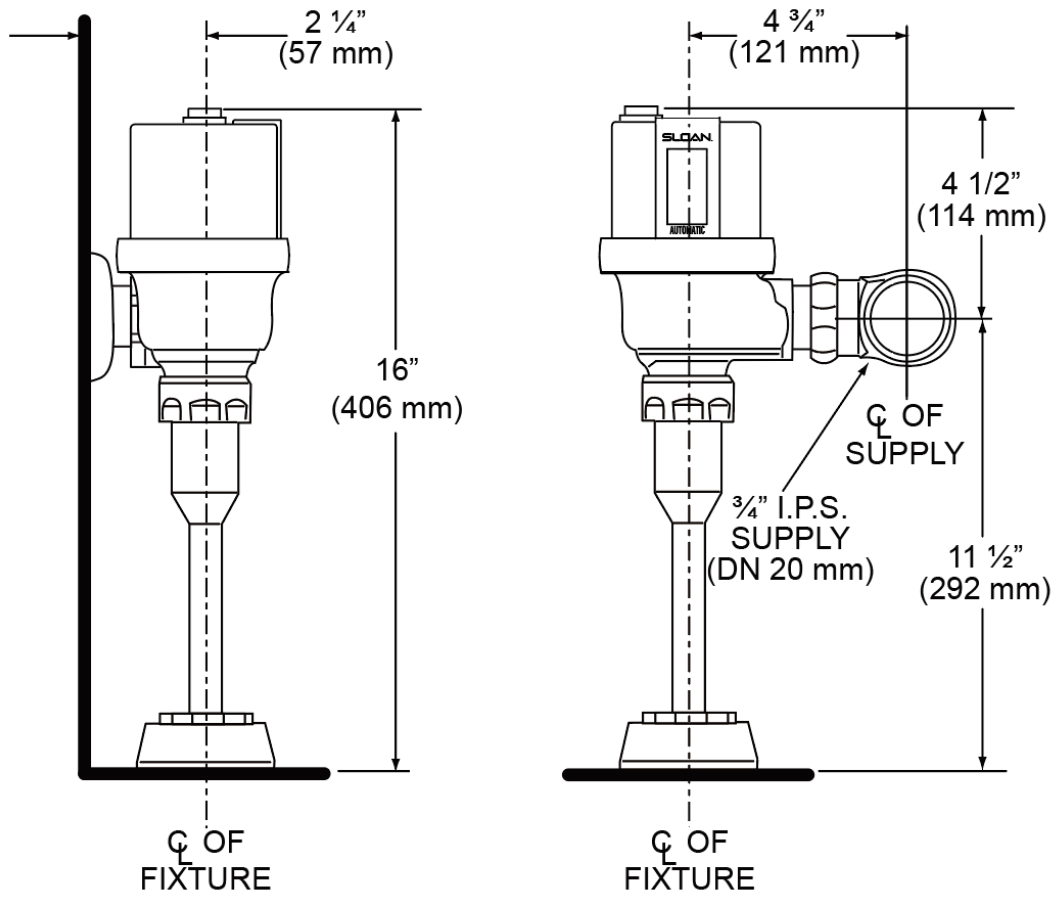
[Find a compatible urinal](#) for this flushometer.

[Find a compatible water closet](#) for this flushometer.

WaterSense compliant when used with a WaterSense compliant fixture



**ROUGH-IN**



**SLOAN  
REPAIR  
.COM**

TOLL FREE: 800-442-6622  
[www.store.sloanrepair.com](http://www.store.sloanrepair.com)