

CODE NUMBER

3790093

DESCRIPTION

1.28 gpf, Dual-Filtered Fixed Bypass Diaphragm, Polished Chrome Finish, Fixture Connection , Single Flush, Electrical Override, Battery, Sloan® Exposed Sensor Water Closet Flushometer.

DETAILS

- Flush Volume: 1.28 gpf (4.8 Lpf)
- Finish: Polished Chrome (CP)
- Power Type: Battery
- Battery Life: 6 years
- Valve: Diaphragm
- Bypass: Dual-Filtered Fixed Bypass Diaphragm (DFB)
- Valve Body Material: Semi-red Brass
- Fixture Type: Water Closet
- Override: Electrical (OR)

FEATURES

- All metal zinc die cast sensor housing with no visible fasteners
- High chloramine resistant PERMEX synthetic rubber diaphragm with DFB
- Valve body, Tailpiece and Control Stop shall be in compliance with ASTM Alloy Classification for Semi-Red Brass
- Valve shall be in compliance to the applicable sections of ASSE 1037.
- Courtesy Flush® Override Button
- ADA-compliant flushometer automatically operates by means of a infrared sensor with multiple-focused, lobular sensing fields for high and low target detection
- Fixed metering bypass and no external volume adjustment to ensure water conservation
- Adjustable tailpiece to accommodate different horizontal requirements
- High copper, low zinc brass castings for dezincification resistance
- WaterSense compliant when used with a WaterSense compliant fixture
- Available in low consumption (1.6 gpf/6.0 Lpf) and high efficiency (1.28 gpf/4.8 Lpf) models



COMPLIANCES & CERTIFICATIONS



(ADA Compliant, cUPC Certified, BAA Compliant, cUPC Green Certified, WaterSense Listed, BREEAM Water Credit, BREEAM Materials Credit, Green Globes Water Credit, Green Globes Materials & Resources Credit, LEED V4 Water Efficiency Credit, Satisfies LEED Credits)

ELECTRICAL SPECIFICATIONS

- Battery Life: 6 years

VALVE OPERATING PRESSURE (FLOWING)

15-80 PSI (103-552 kPa). Specific fixtures may require greater minimum flowing pressure - consult manufacturer requirements.

DOWNLOADS

- [Optima Plus Valve Installation Instructions](#)
- [Sloan Optima Plus Repair and Maintenance Guide](#)
- [Tail Piece Repair and Maintenance Guide](#)
- [Flush Connections Flanges Repair and Maintenance Guide](#)
- [Control Stop Repair and Maintenance Guide](#)
- [Flushometer Pressure gauges](#)
- [Additional Downloads](#)

NOTES

All information contained within this document subject to change without notice.

Looking for other variations of the Sloan 8111 MC product? [View the general spec sheet with all options.](#)

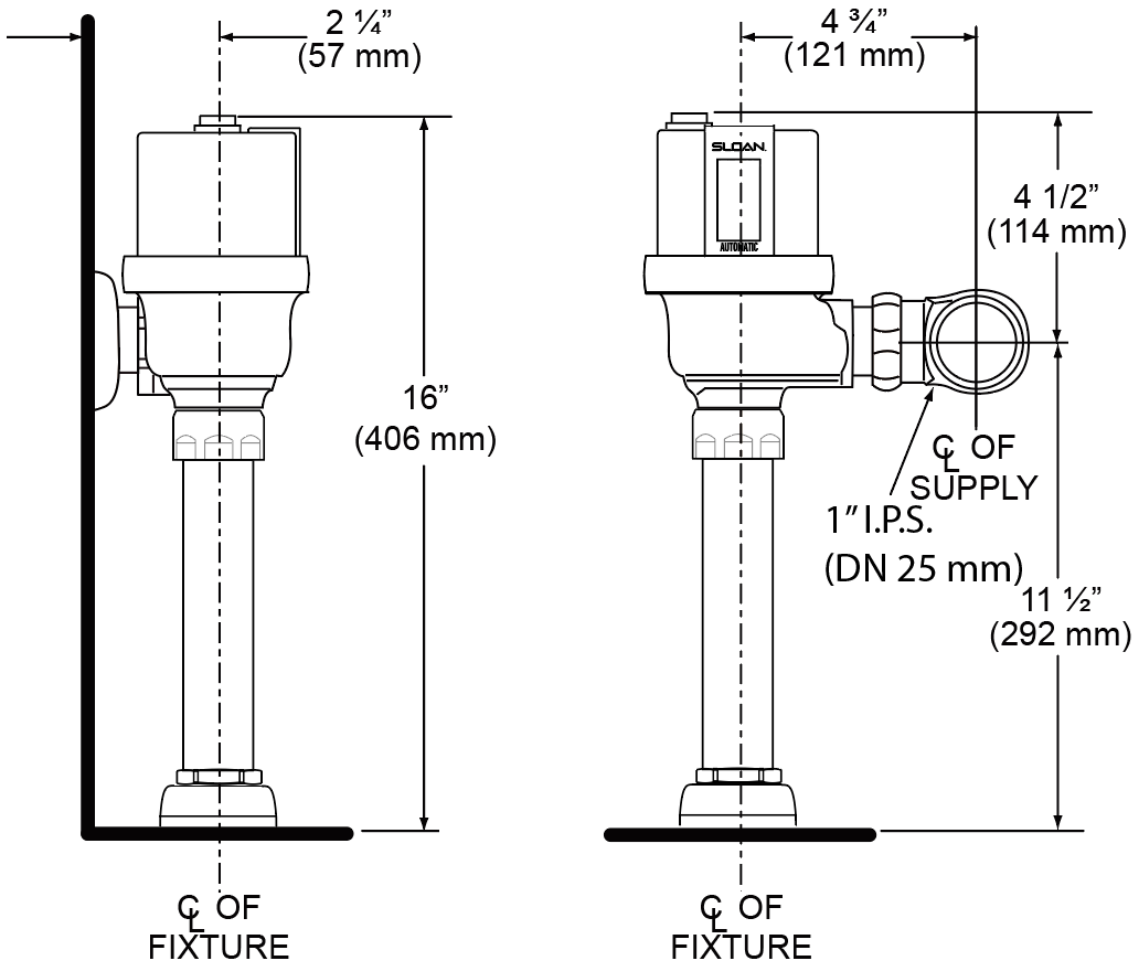
[Find a compatible urinal](#) for this flushometer.

[Find a compatible water closet](#) for this flushometer.

WaterSense compliant when used with a WaterSense compliant fixture



ROUGH-IN





**SLOAN
REPAIR
.COM**

TOLL FREE: 800-442-6622
www.store.sloanrepair.com