

► **Code Number**

3325501

► **Description**

Battery-Powered, Sensor-Activated, Dual-Flush Retrofit Conversion Kit for Exposed Closet Flushometers.

► **Specifications**

- Quiet, Exposed, Optima Plus®, Battery Powered, Sensor-Activated, Dual-Flush (sold separately) Retrofit Conversion Kits for Exposed Closet Sloan flushometers with the following features:
- ADA Compliant Optima Plus® Battery Powered Infrared Side Mount Sensor for automatic "No Hands" operation
- Chrome Plated Infrared Sensor Housing
- Non-Hold-Open True Mechanical Override Full Flush Button
- If the user is present for less than one minute and leaves the sensing zone or chooses the small GREEN override button, a reduced flush initiates (1.1 gpf/4.2 Lpf) eliminating liquid and paper waste, saving 1/2 gallon of water†
- If the user is present for greater than one minute and leaves the zone or chooses the large BLACK override button, the full flush initiates (1.6 gpf/6.0 Lpf) eliminating solid waste and paper
- Reduces water volume by up to 30% when a reduced flush occurs†
- Initial Set-up Range Indicator Light (first 10 minutes)
- User friendly three (3) second Flush Delay
- Four (4) Size C alkaline Batteries included: Duracell® with DURALOCK Power Preserve Technology™-guaranteed for up to 10 years in storage
- "Low Battery" Flashing LED
- "User in View" Flashing LED
- Can be installed when handle is on left side or right side of valve
- Installation Tools provided
- No External Volume Adjustment to Ensure Water Conservation
- The Side Mount units can be used on standard rough-in Sloan, Royal, Regal and Zurn flushometers.

► **Service Mode**

Features service mode which ignores targets for 10 minutes to enable fixture to be cleaned or serviced

► **Fixtures**

Consult factory for matching Sloan brand fixture options.



► **Smart Sense Technology™**

Sloan® DFMS flushometers are equipped with Smart Sense Technology™, which applies extended range and logic techniques to significantly reduce water usage. The DFMS flushometer automatically delivers a reduced flush when users are present less than 60 seconds. Please contact Sloan for specific details.

► **Automatic Operation**

Sloan's DFMS flushometers are activated via multi-lobular infrared sensor. By detecting user presence and duration, the DFMS unit will determine the proper flush volume for unequalled water efficiency.

► **Manual Operation**

Sloan's electronic Dual-Flush Side Mount (DFMS) flushometers incorporate intuitive split-button design for easy manual activation. Assuming a 1.6 gpf diaphragm kit, the small GREEN button controls the reduced flush cycle (1.1 gpf/4.2 Lpf), the large BLACK button controls the full flush cycle (1.6 gpf/6.0 Lpf). Straightforward graphics alert user to proper activation. Reduced flush for liquid waste, full flush for solid waste.

► **Hygienic**

Touchless, sensor activation eliminates the need for user contact to help control the spread of infectious diseases. The Sloan DFMS Electronic Retrofit Units are provided with Reduced or Full Flush Override Buttons to allow a "courtesy flush" for individual user comfort. The 72-Hour Sentinel Flush keeps fixture fresh during periods of nonuse.

► **Compliance & Certifications**





SLOAN
REPAIR
.COM

TOLL FREE: 800-442-6622

www.store.sloanrepair.com

This space for Architect/Engineer Approval

► Control Circuit

- Solid State
- 6 VDC Input
- 72 Hour Sentinel Flush
- Closet Range: 2-3 Second Arming Delay

► Sensor Type

Infrared Convergence Type Object Lock Detection

► Sensor Range

Factory Set at 22" - 42" (559 mm-1067 mm)

► Battery Type

(4) C Alkaline

► Battery Life

3 Years @4000 Flushes/Month

► Indicator Lights

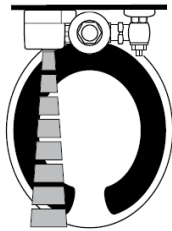
User in View

► Valve Operating Pressure (Flowing)

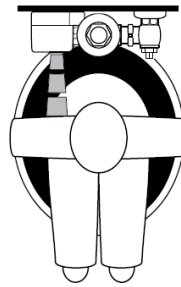
25-80 psi (172-552 kPa)

► OPERATION

1. A continuous, invisible light beam is emitted from the object lock infrared sensor.

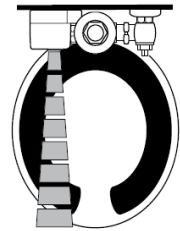


2. As the user enters the beam's effective range, 22" - 42" (559 mm to 1067 mm), the beam is reflected into the scanner window to activate the output circuit. Once activated, the output circuit continues in a "hold" mode for as long as the user remains within the effective range of the sensor. If the user stays less than 60 seconds, a reduced flush will automatically initiate when the user leaves.

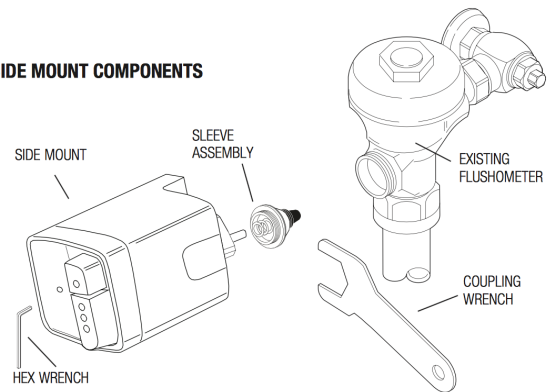


If the user stays longer than 60 seconds, a full flush will automatically initiate when the user leaves.

3. When the user steps away from the infrared sensor, the circuit initiates the flushing cycle to flush the fixture. The circuit then automatically resets and is ready for the next user.

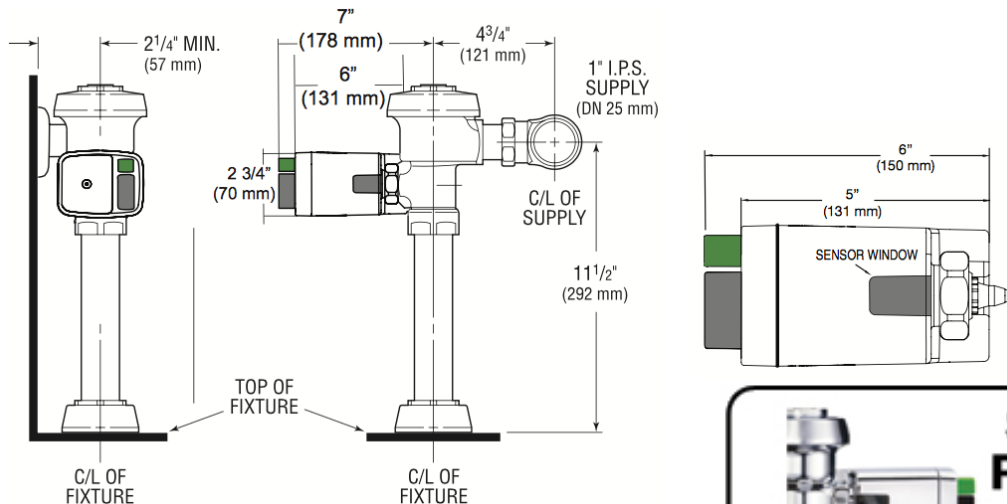


SIDE MOUNT COMPONENTS



► ROUGH-IN

EBV-550-A Dual-Flush Side Mount unit shown on an existing Royal® Model 110/111 Closet Flushometer





**SLOAN
REPAIR
.COM**

TOLL FREE: 800-442-6622
www.store.sloanrepair.com