

► **Code Number**

15121110

► **Description**

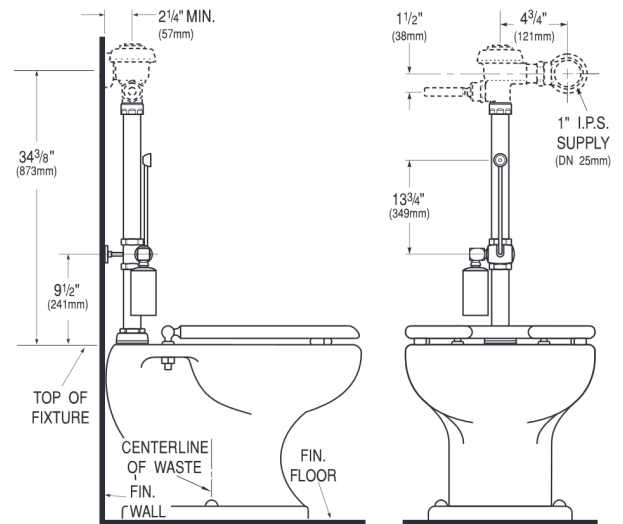
Slimline® Bedpan Washer Diverter Assembly for use in retrofit installations where Flushometers currently are installed where grab bars are present.

► **Specifications**

Bedpan Washer Diverter Assembly for use with Flushometer with the following features:

- Solid One-piece Body Construction
- Counter Balanced Pivot Assembly and Diverter Valve Wall Support
- Solid Brass Spray Arm
- High Back Pressure Vacuum Breaker with One-piece Bottom Hex Coupling Nut
- Wall Support, Spud Coupling and Flange for 1½" Top Spud
- Vacuum Breaker to be molded from PERMEX® rubber compound for Chloramine resistance

Diverter Assembly ONLY. Does NOT include Flushometer.



► **Compliance & Certifications**



This space for Architect/Engineer Approval

**SLOAN
REPAIR
.COM**

TOLL FREE: 800-442-6622
www.store.sloanrepair.com