

► **Code Number**

3019800

► **Description**

Royal® Slimline® Bedpan Washer Water Closet Flushometer with Deoseptic Unit, for floor mounted or wall hung top spud bowls.

► **Flush Cycle**

- 3.5 gpf/13.2 Lpf

► **Specifications**

Quiet, Exposed, Diaphragm Type, Chrome Plated Closet Flushometer with the following features:

- High Chloramine Resistant PERMEX® Synthetic Rubber Diaphragm with Dual Filtered Bypass
- Metal Oscillating Non-Hold-Open Handle with Triple Seal Handle Packing
- 1" I.P.S. Screwdriver Bak-Chek® Angle Stop with Free Spinning Vandal Resistant Stop Cap
- Trap Primer
- Spud Coupling and Flange for 1 1/2" Top Spud
- Spud Coupling and Flange for 1 1/2" Top Spud
- Exposed Parts Chrome Plated
- Stop Seat and Vacuum Breaker molded from PERMEX® Rubber Compound for Chloramine Resistance

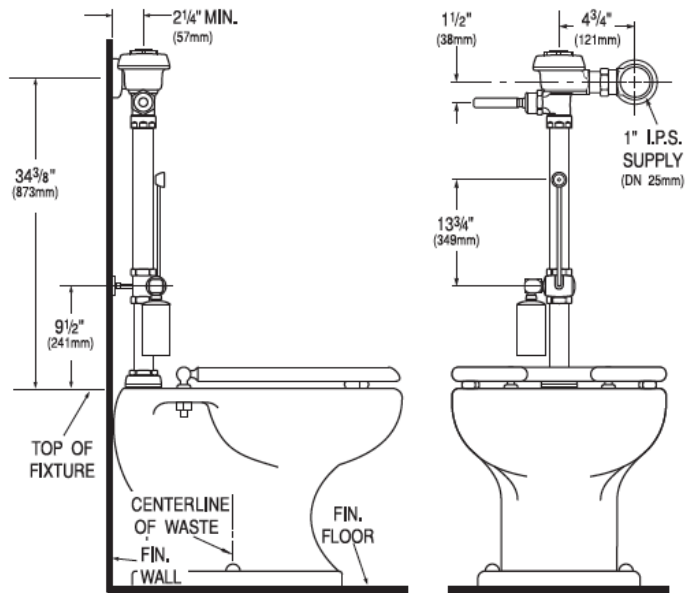
Bedpan Washer Diverter Assembly with the following features:

- Deoseptic Unit with 16 oz. (473 ml) Reservoir Bottle
- Solid One-piece Body Construction
- Solid Brass Spray Arm
- Counter Balanced Pivot Assembly and Diverter Valve Wall Support
- Valve Body, Cover, Tailpiece and Control Stop shall be in conformance with ASTM Alloy Classification for Semi-Red Brass. Valve shall be in compliance to the applicable sections of ASSE 1037 and ANSI/ASME 112.19.2. Installation conforms to ADA requirements.

1 1/2" Offset

► **Accessories (Sold Separately)**

See Accessories Section of the Sloan catalog for details on these and other Flushometer variations.



► **Compliance & Certifications**



Made In The  
**USA**



This space for Architect/Engineer Approval



**SLOAN  
REPAIR  
.COM**

**TOLL FREE: 800-442-6622**  
[www.store.sloanrepair.com](http://www.store.sloanrepair.com)