

► **Code Number**

3010000

► **Description**

Exposed Water Closet Flushometer, for floor mounted or wall hung top spud bowls.

► **Flush Cycle**

1.6 gpf/6.0 Lpf

► **Specifications**

Quiet, Exposed, Diaphragm Type, Chrome Plated Closet Flushometer for left or right hand supply with the following features:

- PERMEX® Synthetic Rubber Diaphragm with Dual Filtered Fixed Bypass
- ADA Compliant Metal Oscillating Non-Hold-Open Handle with Triple Seal Handle Packing
- 1" I.P.S. Screwdriver Bak-Chek® Stop with free spinning vandal resistant stop cap
- Adjustable Tailpiece
- High Back Pressure Vacuum Breaker Flush Connection with One-piece Bottom Hex Coupling Nut
- Spud Coupling and Flange for 1½" Top Spud
- Sweat Solder Adapter with Cover Tube & Cast Wall Flange with Set Screw
- High Copper, Low Zinc Brass Castings for Dezincification Resistance
- Non-Hold-Open Handle, Fixed Metering Bypass and No External Volume Adjustment to Ensure Water Conservation
- Flush Accuracy Controlled by CID Technology
- Diaphragm, Handle Packing and Vacuum Breaker to be molded from PERMEX® Rubber Compound for Chloramine Resistance

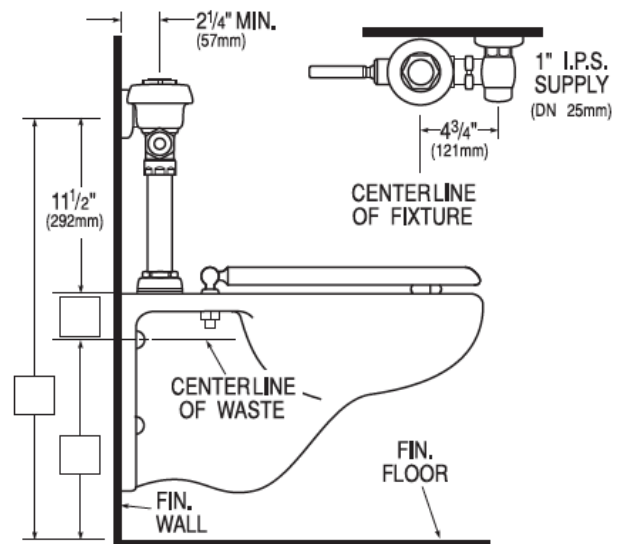
Valve Body, Cover and Tailpiece shall be in conformance with ASTM Alloy Classification for Semi-Red Brass. Valve shall be in compliance to the applicable sections of ASSE 1037.

► **Accessories (Sold Separately)**

See Accessories Section of the Sloan catalog for details on these and other Flushometer variations.

► **Fixtures**

Consult factory for matching Sloan brand fixture options.



► **Compliance & Certifications**

Made In The
USA



This space for Architect/Engineer Approval



SLOAN
REPAIR
.COM

TOLL FREE: 800-442-6622

www.store.sloanrepair.com