

CODE NUMBER

33461047

DESCRIPTION

Sloan® Deck-Mounted Top-fill Foam Soap Dispenser, Polished Chrome Finish, 2000 ml

DETAILS

- Finish: Polished Chrome (CP)
- Power Type: Battery/Hardwired
- Height: 4 5/16" (110mm)
- Width: 2 1/2" (64mm)
- Depth: 6 1/2" (165mm)
- Sensor Type: IR

FEATURES

Sensor Activated, Electronic, Chrome Plated Die Cast Body, Top-fill Hand Washing Foam Soap Dispenser with the following features:

- Top-fill Dispensing eliminates wasted soap and reduces the need to go under the sink for refills
- All electronics in spout are sealed
- Designed for drip free foam dispensing operation
- Motor Assembly suspended under counter connected to soap dispenser spout
- Soap Dispenser holds 2000ml of soap
- Battery life of 45,000 activations
- 2,000 dispenses per soap refill bottle
- Ships with 2 bottles of non-scented, non-colored foam soap (2000ml per bottle)
- Additional foam soap can be purchased through Sloan (ESD-347) or GOJO distribution (8672-04)
- Ships with battery pack ("D" Alkaline batteries included)
- Sensor range - nominal 5"
- GFI outlet suggested per code
- 120V/15 Amp
- Optional AC adaptor or Hardwired Kit can be purchased separately (ESD-117, ESD-118 respectively)
- Pairs well with EAF-300/350 Faucets

SOAP REFILLS

- ESD-347 (2000mL)

VIDEOS

- Top-fill Soap Dispenser



COMPLIANCES & CERTIFICATIONS



(ADA Compliant)

RECOMMENDED SPECIFICATION

Sloan Top-fill Foam Soap Dispenser model number ESD-360. Chrome Plated Dispenser. Must include 2000 ml Reservoir. Must be supplied with 2 bottles of 2000ml Purell(R) REDIFOAM soap. Must be a closed soap system to eliminate the risk of overflowing and contamination of the reservoir.

DOWNLOADS

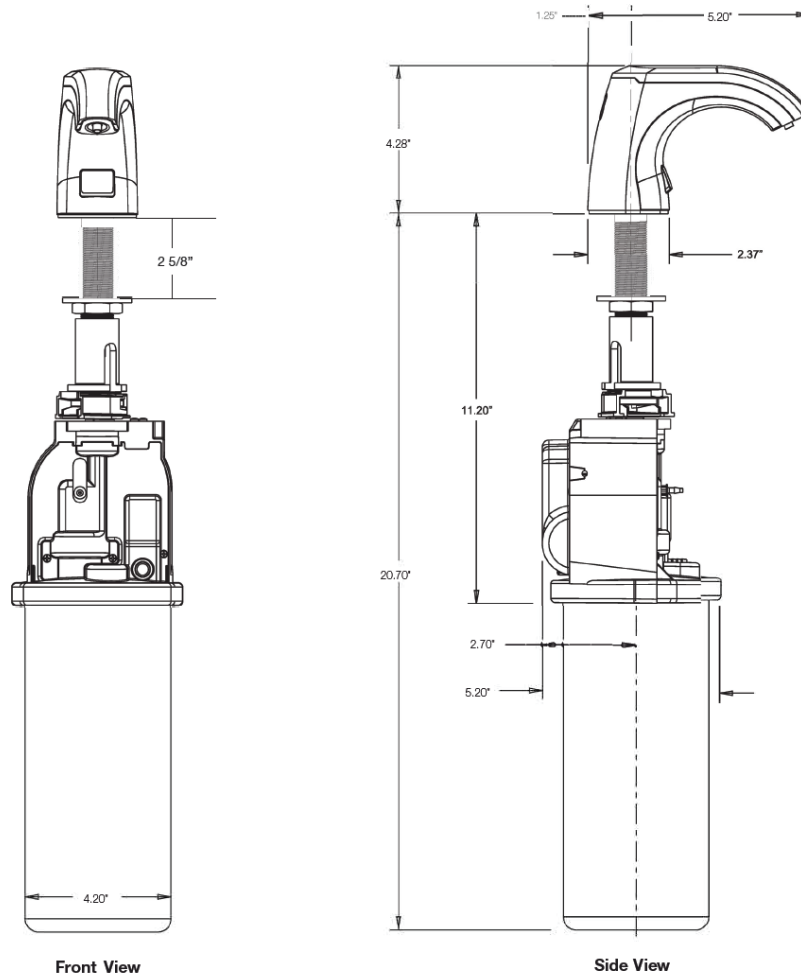
- [ESD-360 Top-fill Soap Dispenser Installation Instructions](#)
- [Additional Downloads](#)

NOTES

All information contained within this document subject to change without notice.



ROUGH-IN



Front View

Side View

**SLOAN
REPAIR
.COM**
TOLL FREE: 800-442-6622
www.store.sloanrepair.com