



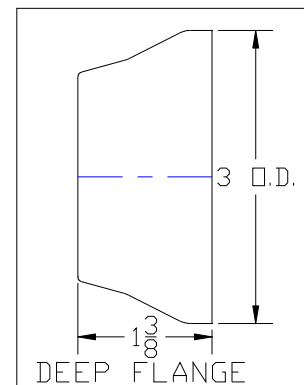
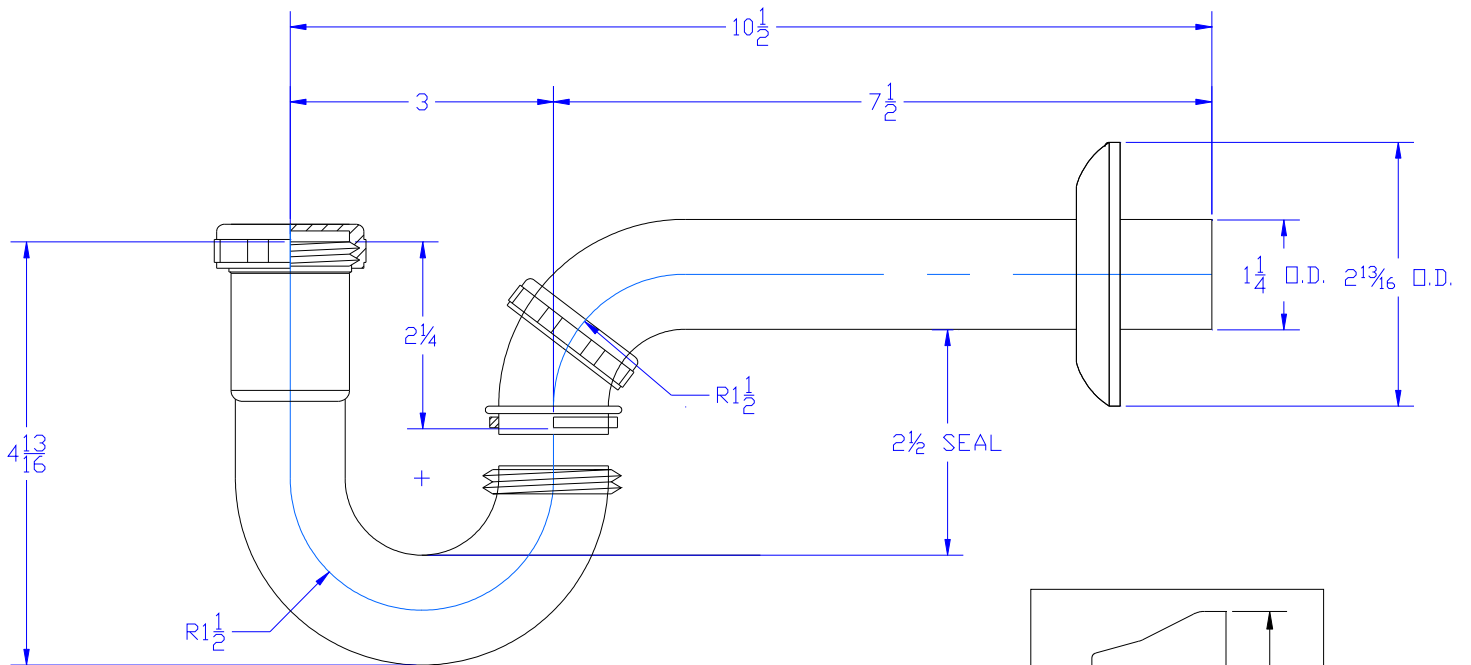
Specification Sheet

1 1/4" P-Trap, L/ CO., Chrome Plated*

Part Number	Size	Finish	Material
10-1CP	1 1/4" 22 GA.	CP	Brass, Zinc Nuts
10CP	1 1/4" 20 GA.	CP	Brass, Zinc Nuts
11CP	1 1/4" 17 GA.	CP	Brass, Zinc Nuts



*Note: 1. For Deep Flange add "D" to catalog number.
 2. For Brass Nuts add "B" to catalog number.




**SLOAN
REPAIR
.COM**
 TOLL FREE: 800-442-6622
www.store.sloanrepair.com