

► **Code Number**

0325105

► **SPECIFICATIONS**

Description

- Battery Powered, Sensor Operated Retrofit Conversion Kit for Exposed Closet and Urinal Flushometers.

Specifications

- Chrome Plated Infrared Sensor Housing
- "User in View" Flashing LED
- Installation Tools provided
- No External Volume Adjustment to Ensure Water Conservation
- Infrared Sensor Range Adjustment Screw and Reset Button
- Four (4) Size C Batteries included
- ADA Compliant OPTIMA® Battery Powered Infrared Sensor for automatic "No Hands" operation
- Angled Sensor Window
- Manual Override Flush Button
- "Low Battery" Flashing LED with Optional Audio Tone
- Optional 24-Hour Sentinel Flush
- Quiet, Exposed, OPTIMA®, Battery Powered, Sensor Operated Closet and Urinal Flushometer Retrofit Conversion Kit for Sloan Flushometers with the following features:

► **ELECTRICAL SPECIFICATIONS**

Control Circuit

- Solid State
- 6 VDC Input

Indicator Lights

- User in View

Operating Pressure

- 15-100 psi (104-689 kPa)

Operation Features

- (can be turned on and off)
- 24-Hour Sentinel Flush
- Audio Low Battery Tone

Battery Type

- (4) C Alkaline

Battery Life

3 Years @ 4,000 Flushes/Month

Sensor Type

- Infrared Convergence Type Object Lock Detection

Sensor Range

- Nominal 8" - 54" (203 mm- 1372 mm), Factory Set at 24" (610 mm)

► **FUNCTION SETTINGS**



Side Mount Operator units do NOT include a Valve Body, Supply Stop or Vacuum Breaker.

► **FEATURES**

Automatic Operation

- Sloan OPTIMA SMO equipped Flushometers provide the ultimate in sanitary protection and automatic operation. There is no need for AC hookups or wall alterations. The Flushometer operates by means of a battery powered infrared sensor. Once the user enters the sensor's effective range and then steps away, the Side Mount Unit initiates the flushing cycle to flush the fixture.

Economical

- Automatic operation provides water usage savings over other flushing devices. Reduces maintenance and operation costs. Installation does not require turning off water to the valve.

Hygienic

- User makes no physical contact with the Flushometer surface except to initiate the Override Button when required. Helps control the spread of infectious diseases.

► **Compliance & Certifications**

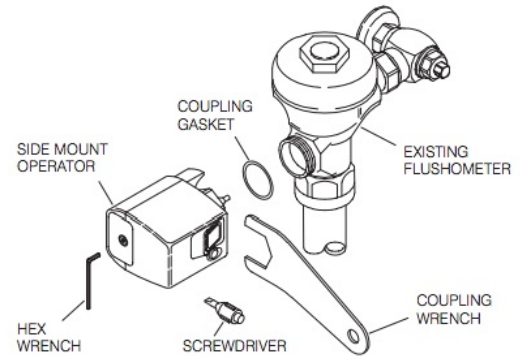
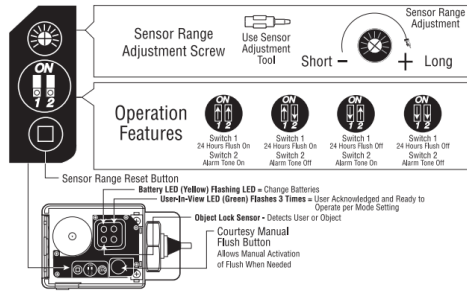


This space for Architect/Engineer Approval

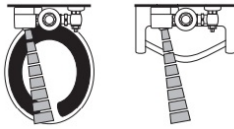
► **SIDE MOUNT OPERATOR COMPONENTS**

**SLOAN
REPAIR
.COM**

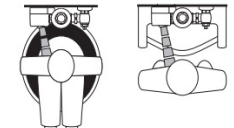
TOLL FREE: 800-442-6622
www.store.sloanrepair.com



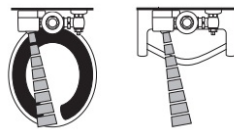
► OPERATION



1. A continuous, invisible light beam is emitted from the Object Lock Infrared Sensor.

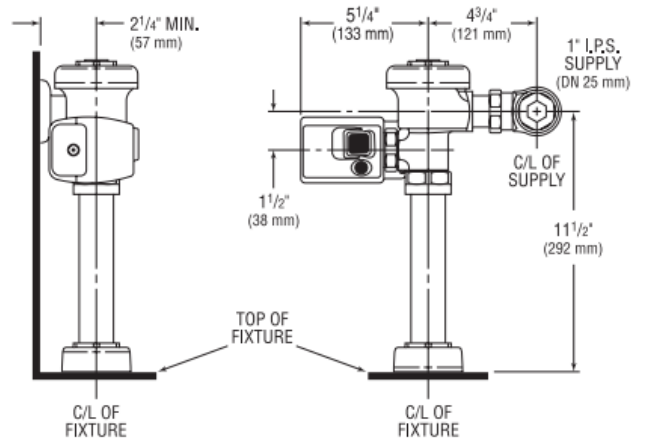


2. As the user enters the beam's effective range, 8" to 54" (203 mm - 1372 mm), the Object Lock Infrared Sensor senses the user

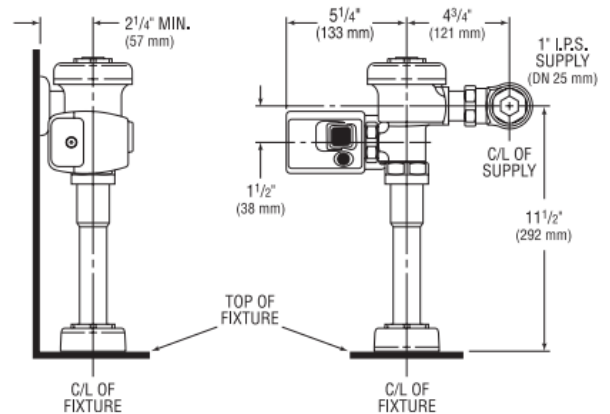


3. When the user steps away from the Object Lock Infrared Sensor, the circuit initiates the flushing cycle to flush the fixture. The Circuit then automatically resets and is ready for the next user.

► ROUGH-IN



Side Mount Operator unit shown on an existing Sloan Regal Model 110/111 Closet Flushometer



Side Mount Operator unit shown on an existing Sloan Regal Model 180 or 186 Urinal Flushometer

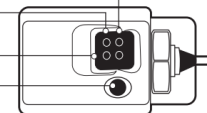
► VISUAL INDICATOR GUIDE

USER-IN-VIEW L.E.D. — Green light flashes 3 times after 5 second delay when a user is in view. The green light flashes constantly when a user is in view during the 7 minute start up sequence.

BATTERY L.E.D. — Yellow light flashes indicating it is time to replace batteries with four (4) new Type "C" batteries.

OBJECT LOCK SENSOR — Detects user or object.

COURTESY MANUAL FLUSH BUTTON — Allows manual activation of flush when needed.





**SLOAN
REPAIR
.COM**

TOLL FREE: 800-442-6622
www.store.sloanrepair.com