

► Code Number

► Description

Fixture Wall (FW) Push Button Assembly for use with Sloan Series 900 Hydraulic Flushometers. Recommended for installation where access behind the wall is available. Also for use with Sloan Easy Access™ Wall Box.

► Specifications

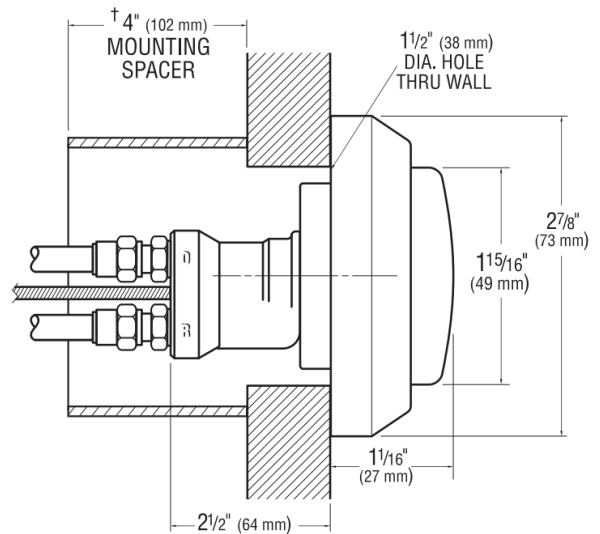
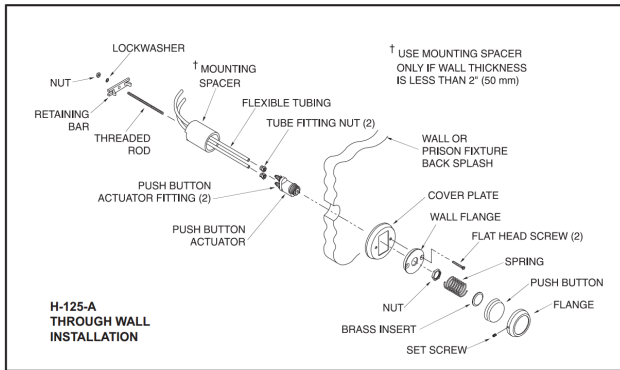
Hydraulically Operated Push Button Assembly that includes the following features:

- ADA Compliant Non-Hold-Open feature type Actuator
- Large diameter, Spring Loaded Button
- "Wall Clamp and Threaded Rod for through the wall installation (for walls up to 8" (200 mm) thick) - Spacer provided for walls less than 2" (50 mm) thick"
- Mounting fasteners for installation on Sloan Easy Access Wall Box
- Two 24" (914 mm) long flexible tubing for connection to Sloan Series 900 Hydraulic Flushometer"

► Accessories (Sold Separately)

See Accessories Section of the Sloan catalog for details on these and other Flushometer variations.

► ROUGH-IN



► Compliance & Certifications



This space for Architect/Engineer Approval

**SLOAN  
REPAIR  
.COM**

TOLL FREE: 800-442-6622  
[www.store.sloanrepair.com](http://www.store.sloanrepair.com)